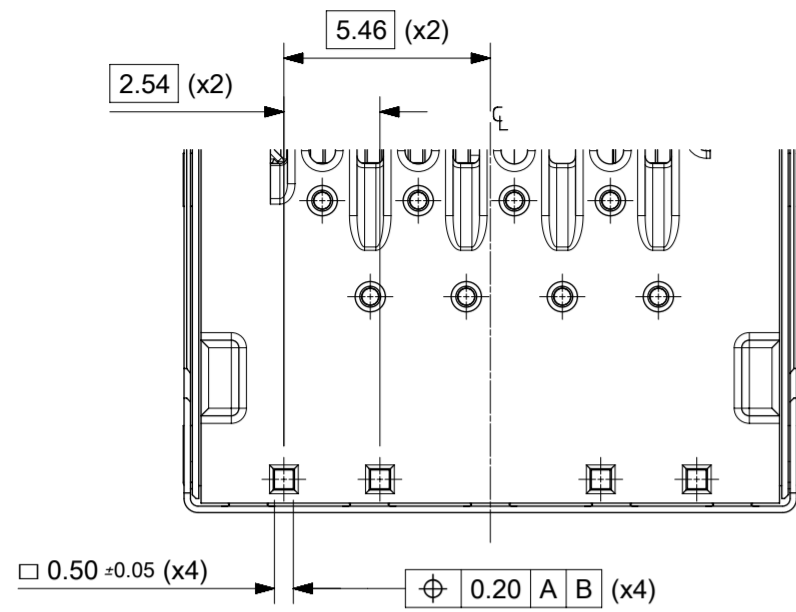
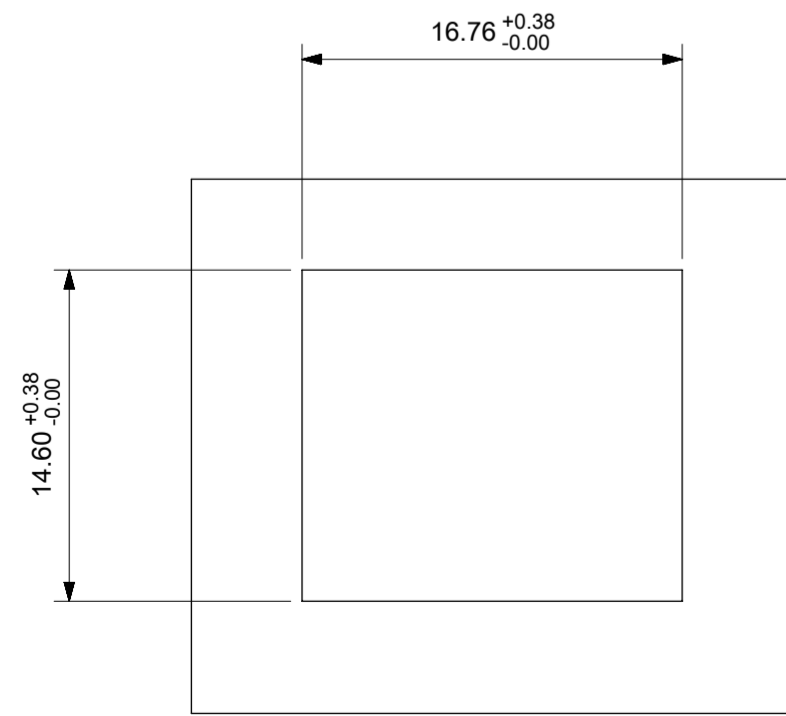
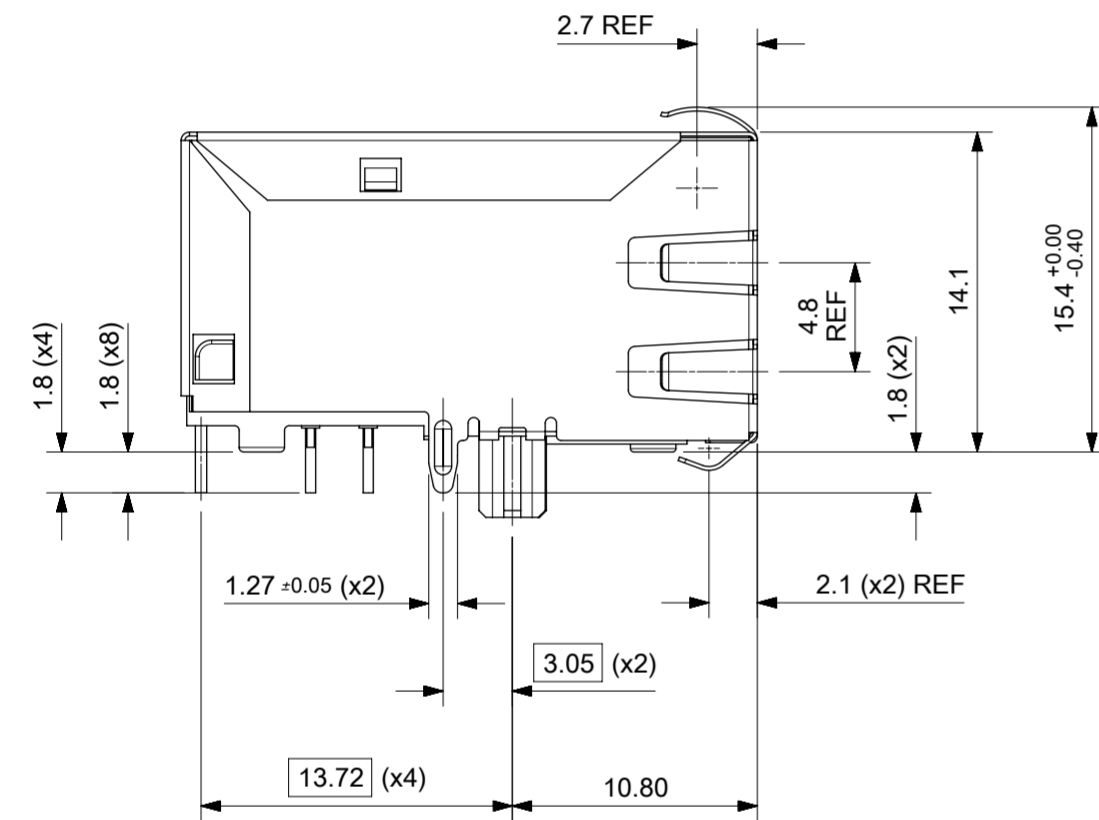


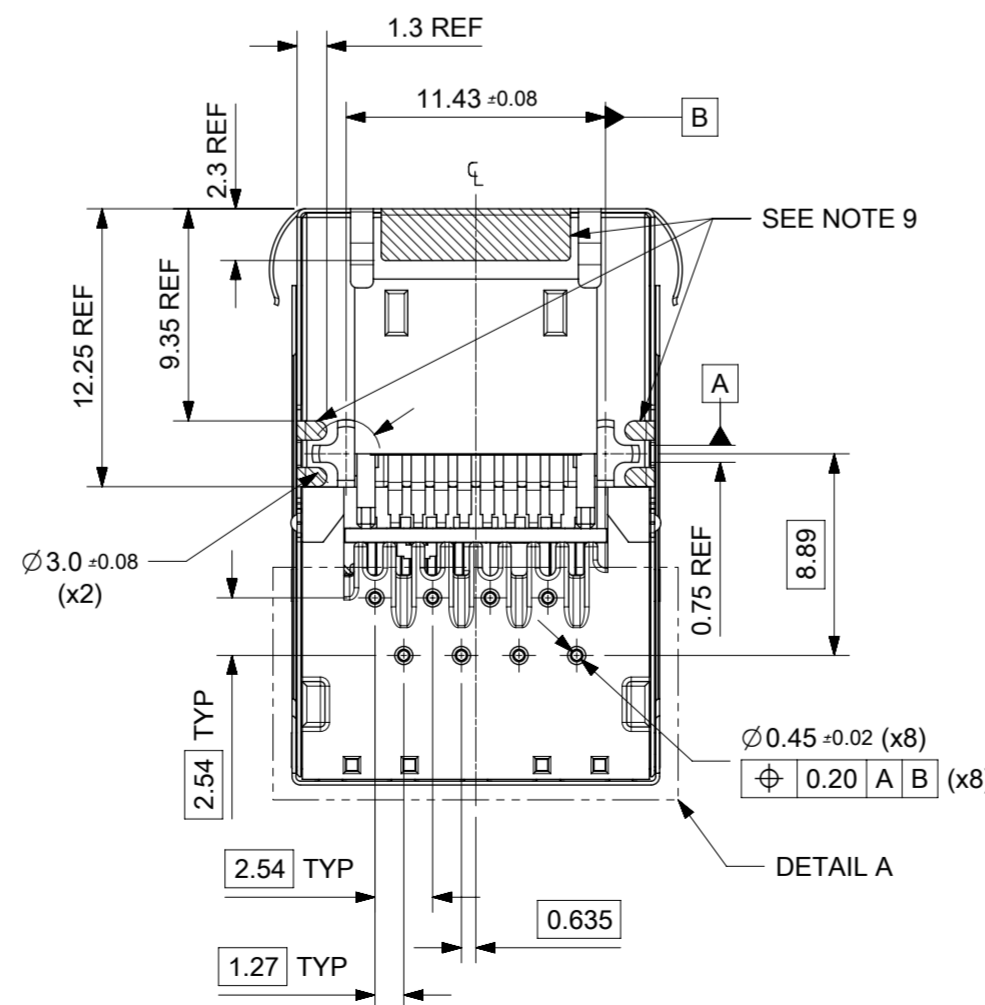
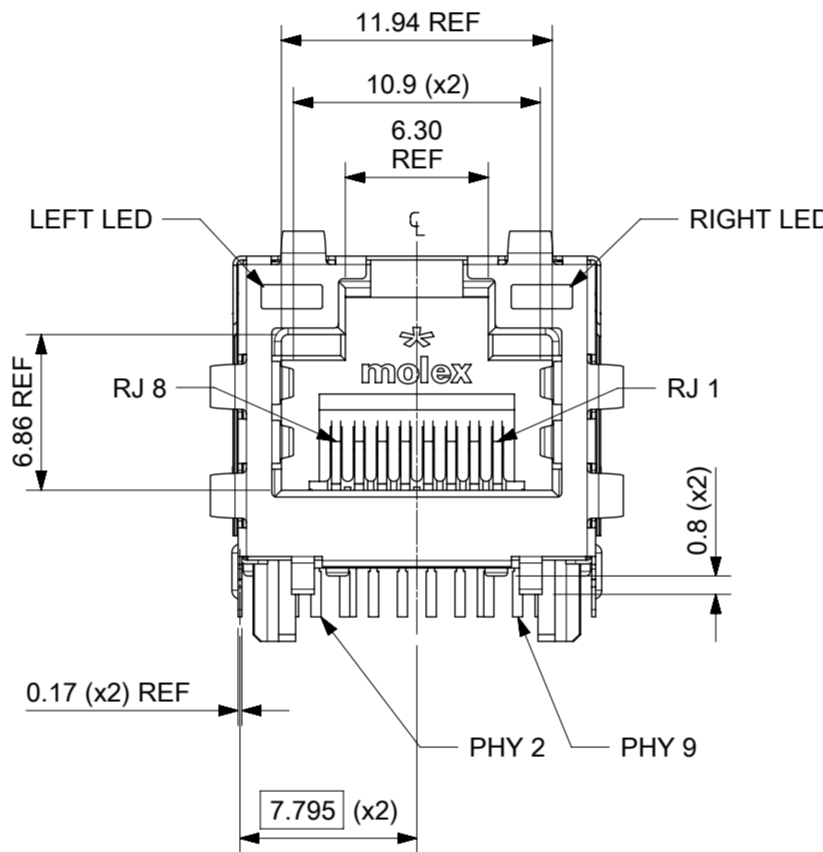
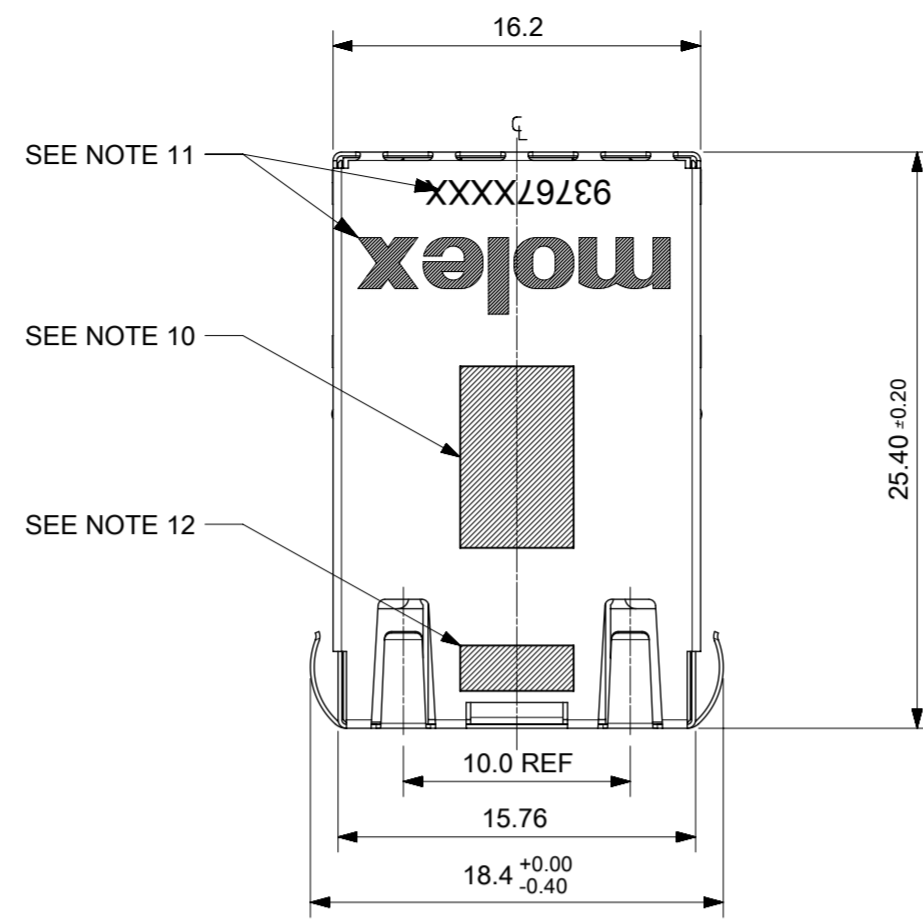
INVERTED PROFILE MAGNETIC JACK
FAST ETHERNET W/LED
AND W/SHIELD TABS TOP, SIDE AND BOTTOM



DETAIL A
SCALE 5:1

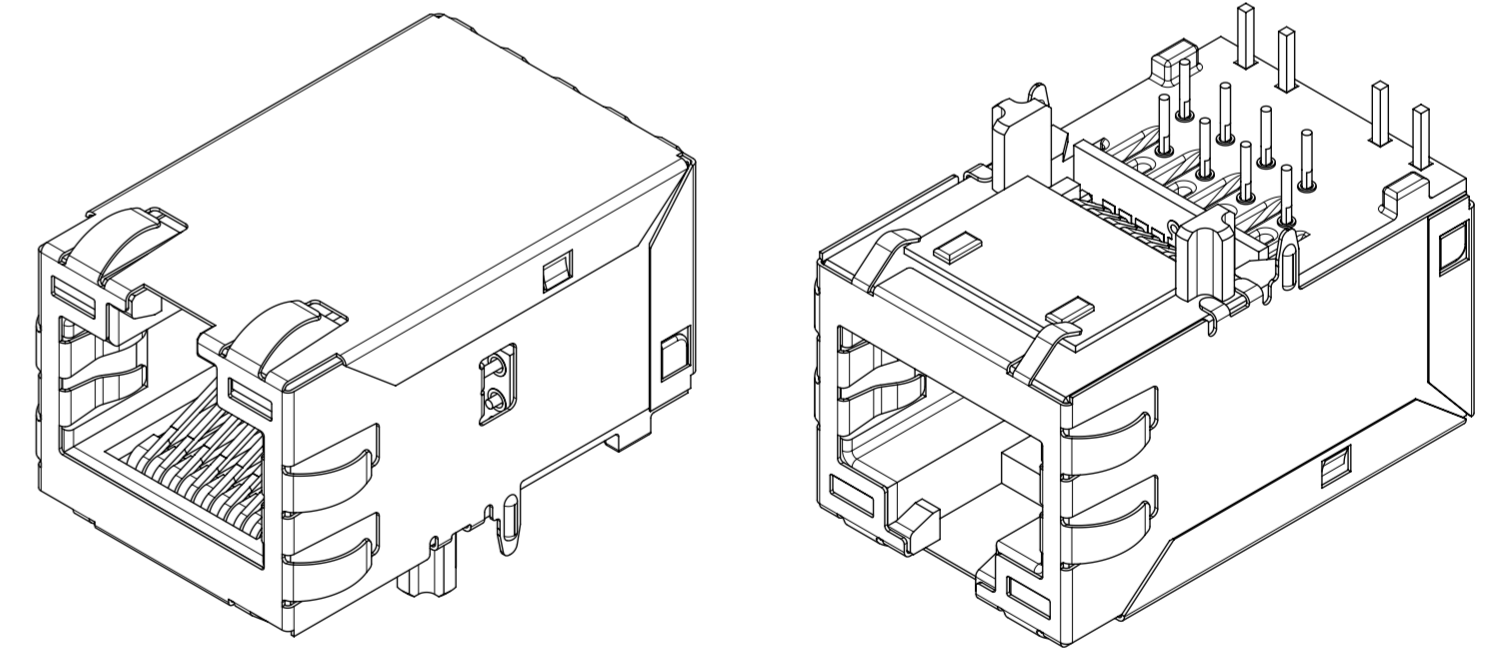


SUGGESTED PANEL CUT OUT



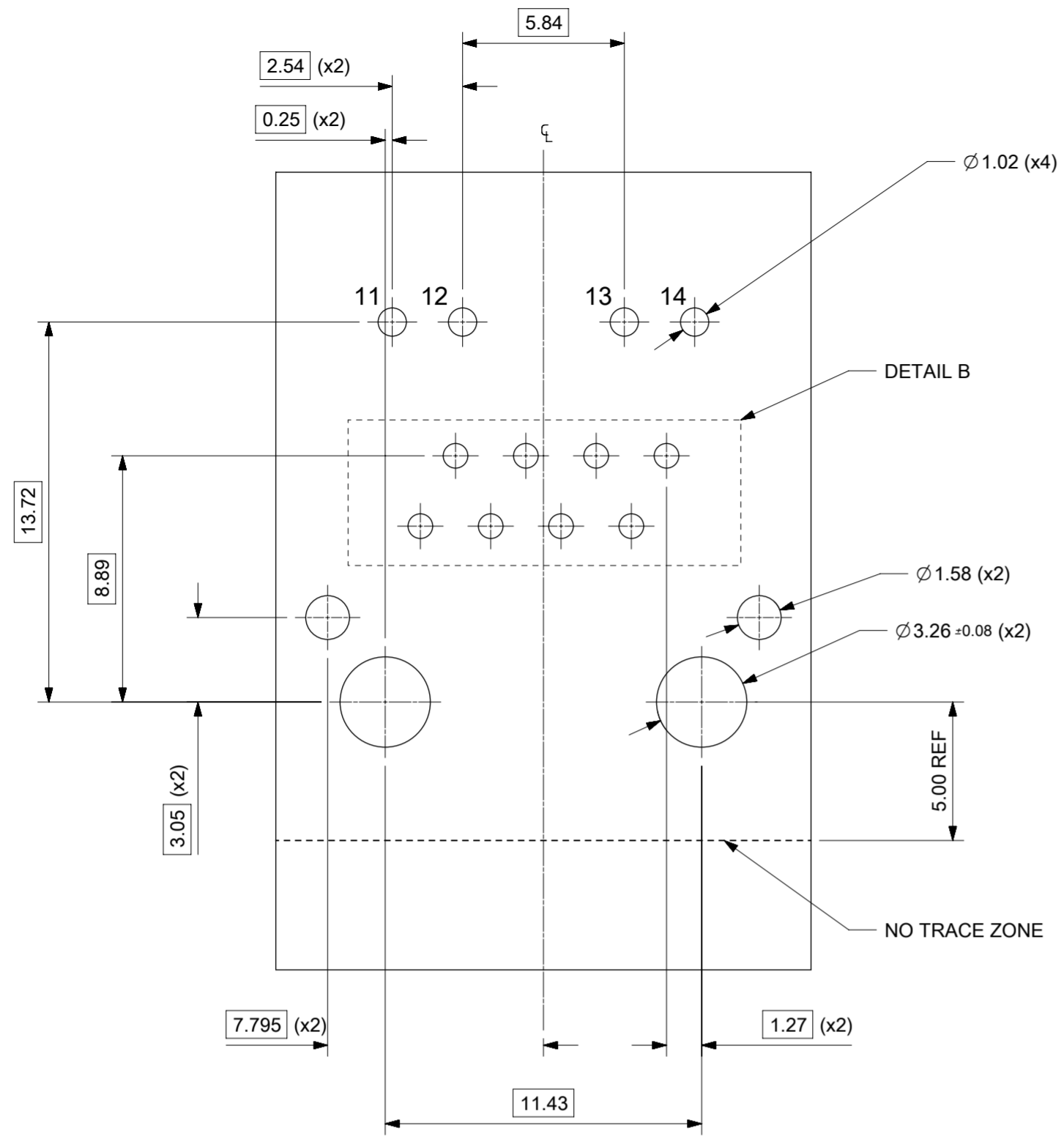
NOTES:

- 1 - SHIELD MATERIAL: 0.17MM THICK BRASS PRE-PLATED WITH NICKEL.
SOLDER TABS POST DIPPED WITH MIN. 1.27µm TIN
- 2 - HOUSING MATERIAL: LCP, BLACK, UL 94V-0.
- 3 - TERMINALS MATERIAL: PHOSPHOR BRONZE.
RJ45 CONTACT PLATING: BASE NICKEL, GOLD FLASH OVER PALLADIUM NICKEL.
PHY SOLDER TAILS: COPPER ALLOY REFER TO 934620001 PSP.
- 4 - MATING INTERFACE ACCORDING TO IEC 60603-7 & TIA-1096-A.
- 5 - PRODUCT SPECIFICATION: 934620001 PSP.
- 6 - PACKAGING SPECIFICATION: 934620002 PSK TAPE & REEL.
- 7 - STAND OFF TO SYSTEM BOARD 0.30 mm MIN.
- 8 - RECOMMENDED PCB THICKNESS: 1.57 mm REF.
- 9 - SHIELD: AVOID ROUTING TRACES
OR PLACING ANY VIAS BELOW THESE AREAS.
- 10 - AREA FOR PICK AND PLACE: 5.0 mm x 8.0 mm
- 11 - INSCRIPTION MARKED BY LASER:
1st : MOLEX
2nd : P/N (SEE BOM)
- 12 - INSCRIPTION MARKED BY LASER:
DATE CODE(DAY/WEEK/YEAR)
- 13 - MATERIAL COMPLIANT TO RoHS DIRECTIVE 2002/95/EC.

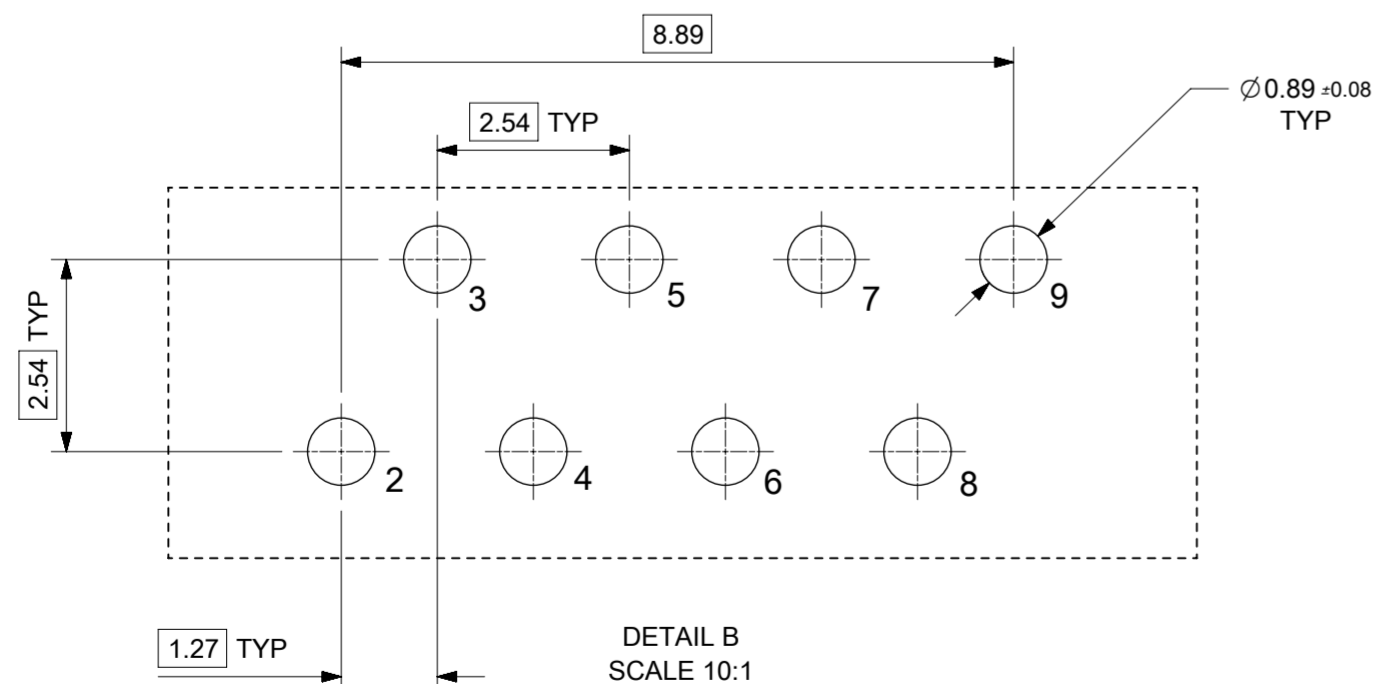


THIS DRAWING CONTAINS INFORMATION THAT IS PROPRIETARY TO MOLEX ELECTRONIC TECHNOLOGIES, LLC AND SHOULD NOT BE USED WITHOUT WRITTEN PERMISSION

EC NO: 117810 DRWN: SBRENNAN CHKD: DBYRNES APPR: STGRIFFIN	2017/06/06	2017/06/12	2017/06/12	GENERAL TOLERANCES (UNLESS SPECIFIED)	DIMENSION UNITS	SCALE	
				ANGULAR TOL ± 2.0 °	MM	3:1	
	4 PLACES ±	DRWN BY		DATE	DSHEA 2016/07/01		
	3 PLACES ±	CHK'D BY		DATE	DBYRNES 2016/09/19		
2 PLACES ±	APPR BY		DATE	STGRIFFIN 2016/09/23		PRODUCT CUSTOMER DRAWING	
1 PLACE ±	DRAWING SIZE		THIRD ANGLE PROJECTION	SERIES	MATERIAL NUMBER	CUSTOMER	
0 PLACES ±	A2			93767	SEE TABLE ON SHEET 2	GENERAL MARKET	
DRAFT WHERE APPLICABLE MUST REMAIN WITHIN DIMENSIONS				DOCUMENT NUMBER		DOC TYPE	DOC PART SHEET NUMBER
				937670001		PSD	000 1 OF 3



SUGGESTED BOARD LAYOUT
FAST ETHERNET
VIEW FROM COMPONENT SIDE
ALL DIMS ARE REFERENCE



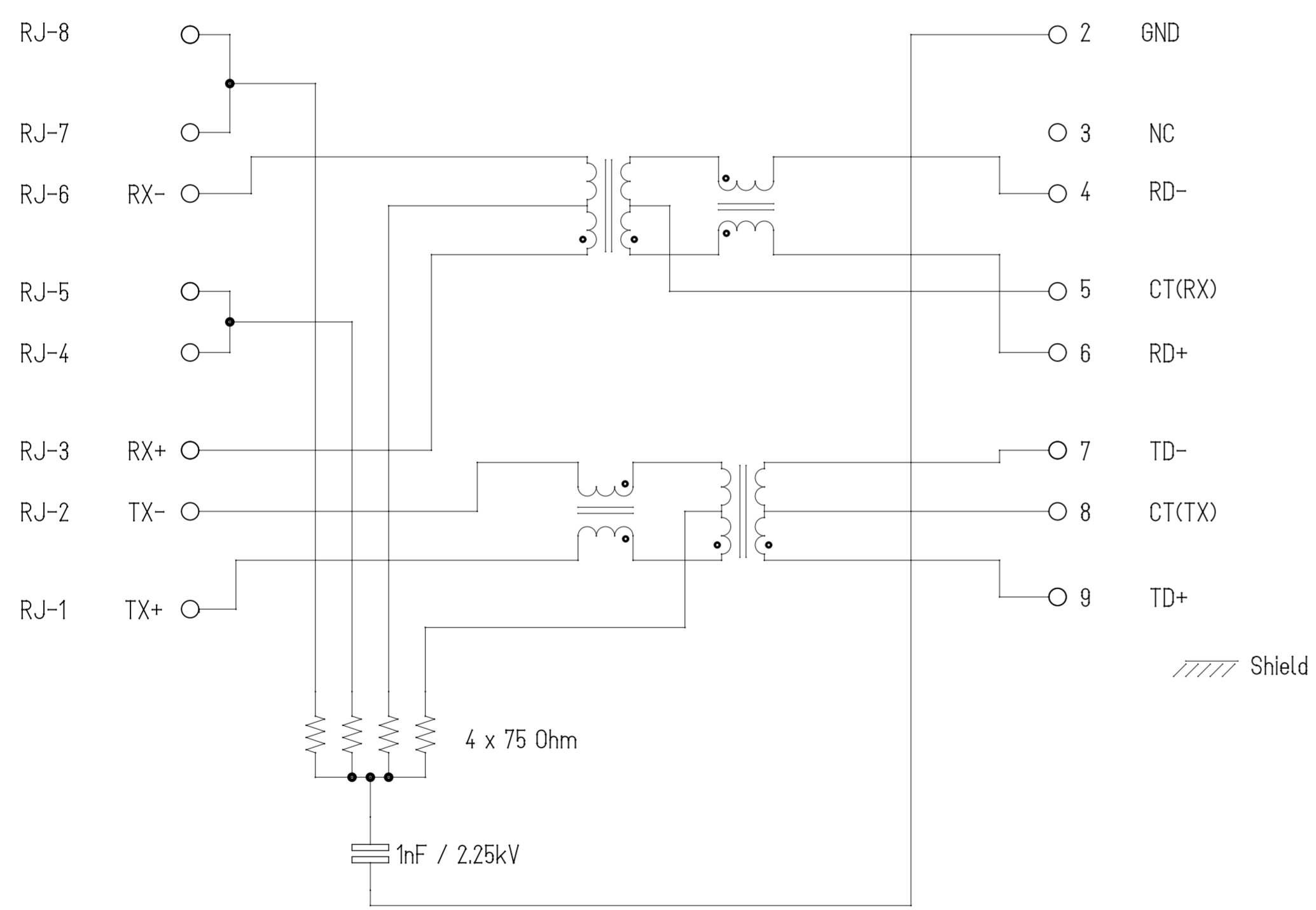
DETAIL B
SCALE 10:1
PIN CONFIGURATION
FOR FAST ETHERNET

PART NUMBER	LEFT LED	RIGHT LED
937678126	GREEN	YELLOW

THIS DRAWING CONTAINS INFORMATION THAT IS PROPRIETARY TO MOLEX ELECTRONIC TECHNOLOGIES, LLC AND SHOULD NOT BE USED WITHOUT WRITTEN PERMISSION									
UPDATED MAGBOX + 2KV EC NO: 117810 DRWN: SBRENNAN CHKD: DBYRNES APPR: STGRIFFIN	2017/06/06	2017/06/12	2017/06/12	GENERAL TOLERANCES (UNLESS SPECIFIED)	DIMENSION UNITS	SCALE			
				MM	5:1				
	ANGULAR TOL ± 2.0 °				DRWN BY	DATE	1" MXMAG 4 CORE FE IND		
	4 PLACES ±				DSHEA	2016/07/01			
	3 PLACES ±				CHK'D BY	DATE	PRODUCT CUSTOMER DRAWING		
2 PLACES ± 0.1				DBYRNES	2016/09/19				
1 PLACE ± 0.2				APPR BY	DATE	SERIES: 93767 MATERIAL NUMBER: SEE TABLE ON SHEET 2 CUSTOMER: GENERAL MARKET			
0 PLACES ±				STGRIFFIN	2016/09/23				
DRAFT WHERE APPLICABLE MUST REMAIN WITHIN DIMENSIONS				DRAWING SIZE	THIRD ANGLE PROJECTION	DOCUMENT NUMBER: 937670001			
				A2		DOC TYPE: PSD		DOC PART: 000	
						SHEET NUMBER: 2 OF 3			

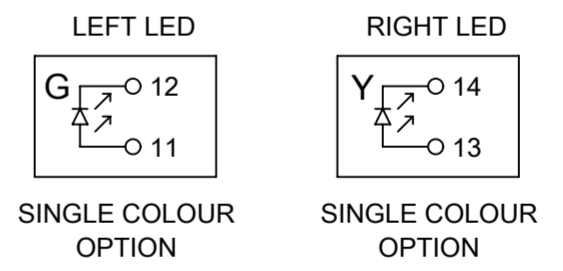
RJ-45 CONTACTS

WIRE-SIDE / RJ-45 ETHERNET MAGNETICS PHY-SIDE / PCB SIDE



Description	Value	
OCL @100 kHz, 0.1 V, 8 mA DC bias (-40°C TO +85°C)	350 μH min.	
Turns ratio	1CT:1CT	
Transmission characteristics @ 25°C, all four pairs		
Insertion Loss		
Frequency (MHz)	Limits (dB max.)	Typical Values (dB max.)
1.0-9.9 MHz	0.4+0.1*log(F)	0.5 @ 10 MHz
10-49.9 MHz	0.5+0.3*log(F/10)	0.7 @ 50 MHz
50-79.9 MHz	1+1.4*log(F/80)	1.0 @ 80 MHz
80-100 MHz	1.3+3*log(F/100)	1.3 @ 100 MHz
Return Loss		
Frequency (MHz)	Limits (dB min.)	Typical Values (dB min.)
1.0-39.9 MHz	18	18 @ 40 MHz
40-100 MHz	12-20*log(F/80)	10 @ 100 MHz
CMR		
Frequency (MHz)	Limits (dB min.)	Typical Values (dB min.)
1.0-100 MHz	30	30 @ 100 MHz
Next		
Frequency (MHz)	Limits (dB min.)	Typical Values (dB min.)
1.0-39.9 MHz	35	35 @ 40 MHz
40-100 MHz	33-20*log(F/50)	27 @ 100 MHz
Isolation PHY to wire side	2.25 kVDC / 60 s	

ETHERNET TERMINALS



THIS DRAWING CONTAINS INFORMATION THAT IS PROPRIETARY TO MOLEX ELECTRONIC TECHNOLOGIES, LLC AND SHOULD NOT BE USED WITHOUT WRITTEN PERMISSION

EC NO: 117810 DRWN: SBRENNAN CHK'D: DBYRNES REV / APPR: STGRIFFIN	GENERAL TOLERANCES (UNLESS SPECIFIED)	DIMENSION UNITS MM	SCALE 1:1			
	ANGULAR TOL ± 2.0 °	DRWN BY DSHEA	DATE 2016/07/01			
	4 PLACES ± 3 PLACES ± 2 PLACES ± 0.1 1 PLACE ± 0.2 0 PLACES ±	CHK'D BY DBYRNES	DATE 2016/09/19			
	DRAFT WHERE APPLICABLE MUST REMAIN WITHIN DIMENSIONS	APPR BY STGRIFFIN	DATE 2016/09/23			
B1	DRAWING SIZE A2	THIRD ANGLE PROJECTION	SERIES 93767	MATERIAL NUMBER SEE TABLE ON SHEET 2	CUSTOMER GENERAL MARKET	
RELEASE STATUS P1	RELEASE DATE 12.06.2017	14:58:07	DOCUMENT NUMBER 937670001	DOC TYPE PSD	DOC PART 000	SHEET NUMBER 3 OF 3