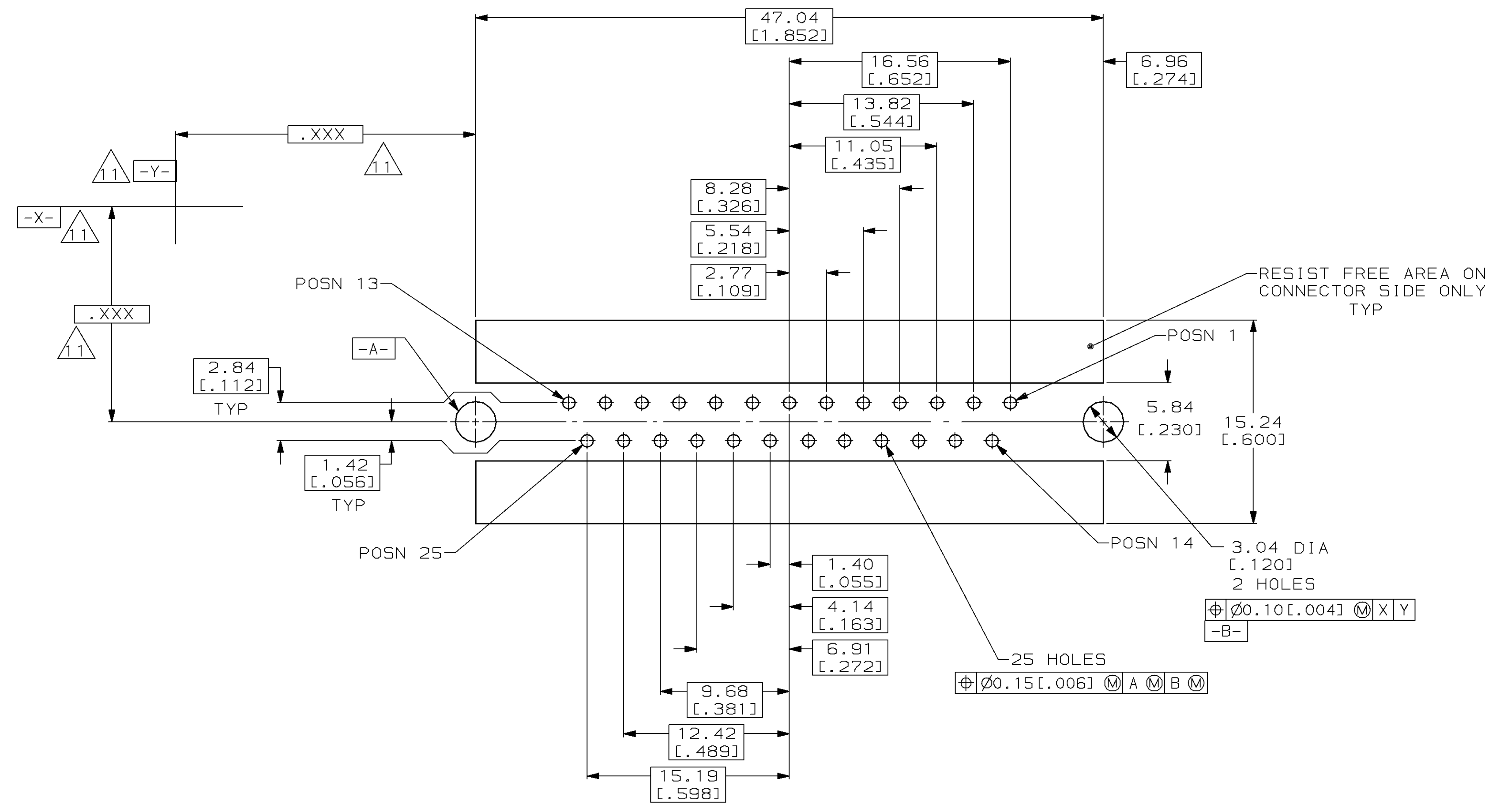
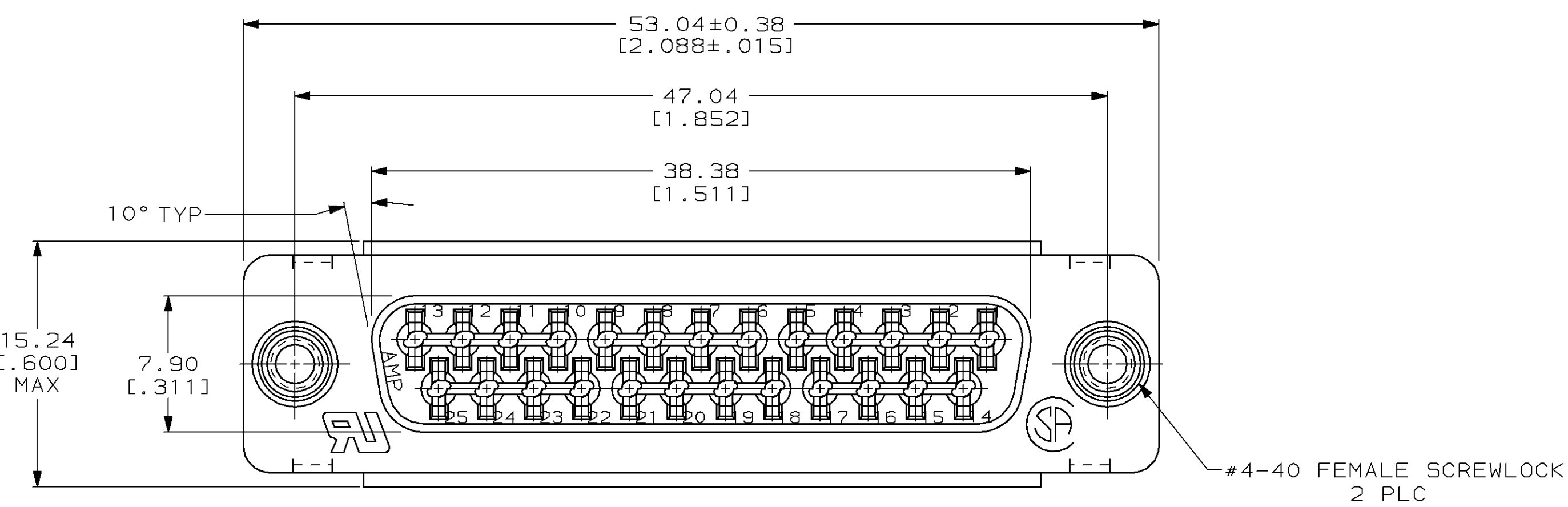
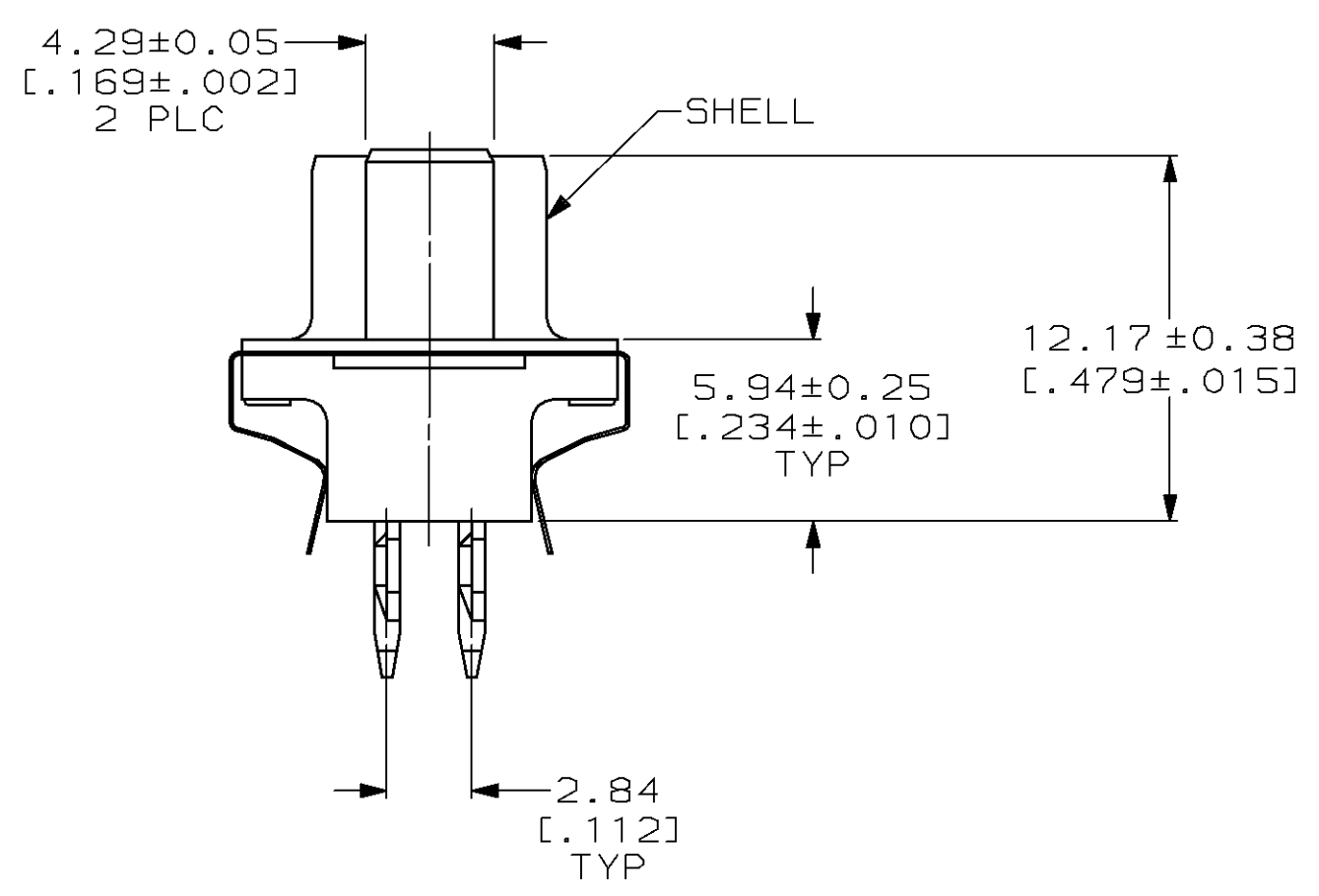
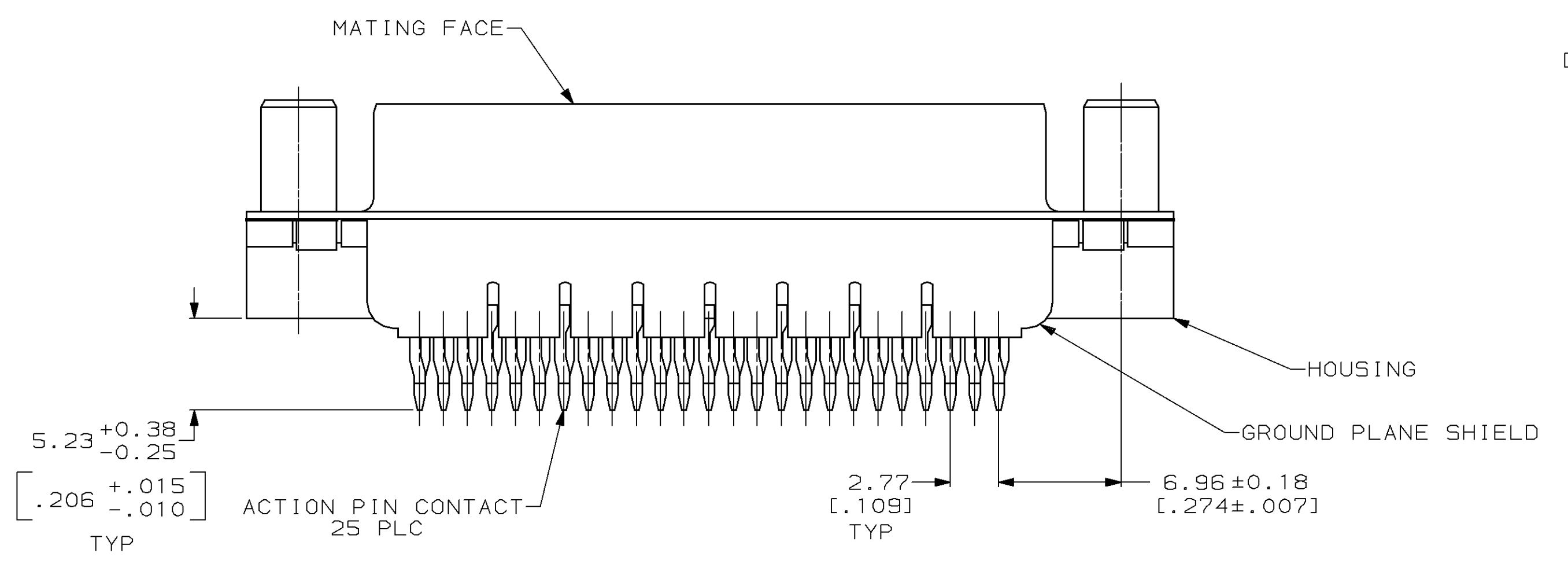


| LOC | | DIST | | P | | ZONE | | LTR | | REVISIONS | | | |
|-----|----|------|--|---|--|------|--|-----|--|-------------|---------------------------------|----------|----|
| BD | 77 | | | | | | | | | DESCRIPTION | DATE | APPD | |
| | | | | | | | | | | D | REDRAWN/REV PER EC 0020-1353-93 | 01/31/94 | MP |

- 1 RECOMMENDATIONS FOR 2.36 [.093] MIN THICK PC BOARD:
 A. HOLE DIAMETER AFTER DRILLING = 1.15±0.03 [.045±.001].
 B. HOLE DIAMETER AFTER TIN-LEAD PLATING = 0.94[.037]-1.09[.043].
 C. HOLE DIAMETER AFTER REFLOW = 0.91[.036]-1.09[.043].
 D. PC BOARD PLATING TO BE 0.76µm [.000300] MIN TIN-LEAD OVER 0.05±0.03[.002±.001] COPPER.
- 2 NYLON OR POLYESTER, UL 94V-0 RATED, BLACK.
- 3 COPPER ALLOY PER ASTM B 122.
- 4 CARBON STEEL PER ASTM A 109.
- 5 ZINC.
- 6. GOLD PLATING PER MIL-G-45204, NICKEL PLATING PER QQ-N-290, TIN PLATING PER MIL-T-10727, COPPER PLATING PER MIL-C-14550.
- 7 1.27µm [.000050] MIN TIN OVER 0.13µm [.000005] MIN NICKEL STRIKE.
- 8 .508µm [.000200] MIN TIN-LEAD OVER 0.13µm [.000005] MIN NICKEL STRIKE.
- 9 0.76µm [.000030] MIN GOLD FOR A LENGTH OF 1.02[.040] MIN FROM MATING END 2.54µm [.000100] MIN TIN OR TIN-LEAD FOR A LENGTH OF 5.61[.221] MIN FROM OPPOSITE END, BOTH OVER 1.27µm [.000050] MIN NICKEL.
- 10 STAINLESS STEEL PER QQ-S-766.
- 11 DATUMS AND BASIC DIMENSIONS ESTABLISHED BY CUSTOMERS.



RECOMMENDED PC BOARD MOUNTING DIMENSIONS 1
 CONNECTOR SIDE OF BOARD



| | | | | | |
|--|--|-------------------------|--|--|--|
| DO NOT SCALE PRINT. UNLESS SPECIFIED DIMENSIONS IN mm [INCHES] | | DR 01/31/94 K.FOLTZ | | 748441-2 | |
| TOLERANCES ON: 2 PLC DEC ±0.13 [.005] 3 PLC DEC ± - ANGLES ± 2° | | CHK 2/3/94 R.STONE | | PART NO | |
| MATERIAL | | APPD 2/4/94 M.PERCHERKE | | AMP AMP Incorporated Harrisburg, PA 17105-3608 | |
| HOUSING: 1 SCREWLOCKS: 1 | | APPD 2/4/94 M.PERCHERKE | | NAME | |
| CONTACTS: 1 SHIELD: 1 | | PRODUCT SPEC | | RECEPTACLE ASSEMBLY, SIZE 3, 25 POSITION, ACTION PIN™, FRONT METAL SHELL AMPLIMITE™ HDP | |
| FINISH | | APPLICATION SPEC | | SIZE | |
| CONTACTS: 1 SHIELD: 1 | | 114-40026 | | CAGE CODE | |
| SHELL: 1 | | WEIGHT - | | DRAWING NO | |
| | | | | D 00779 C-748441 | |
| | | | | SCALE | |
| | | | | 4:1 | |
| | | | | SHEET | |
| | | | | 1 OF 1 | |

THIS DRAWING IS A CONTROLLED DOCUMENT FOR AMP INCORPORATED. IT IS SUBJECT TO CHANGE AND THE CONTROLLING ENGINEERING ORGANIZATION SHOULD BE CONTACTED FOR THE LATEST REVISION.