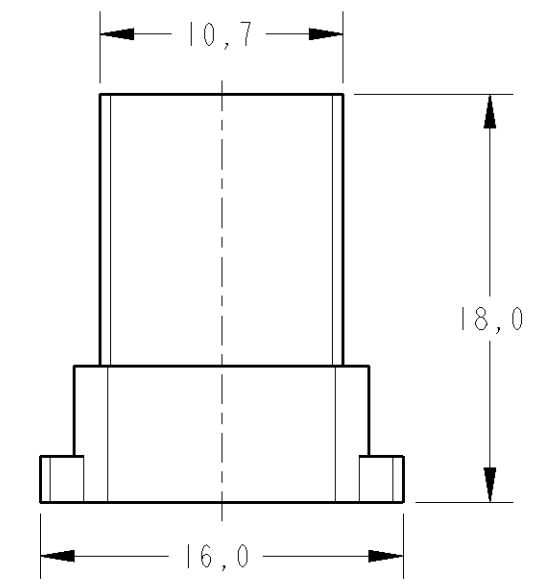
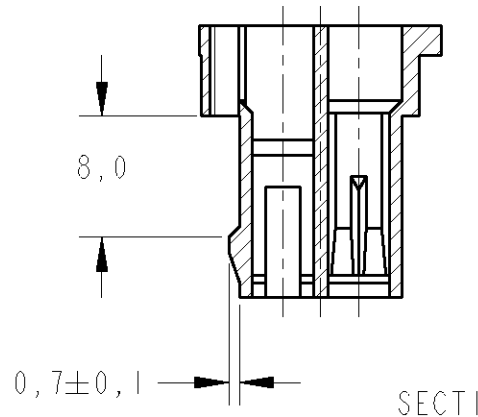
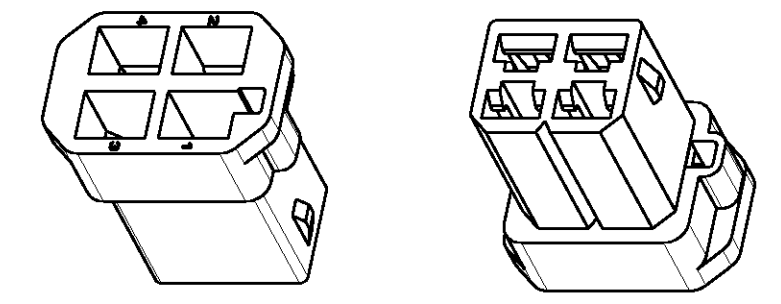
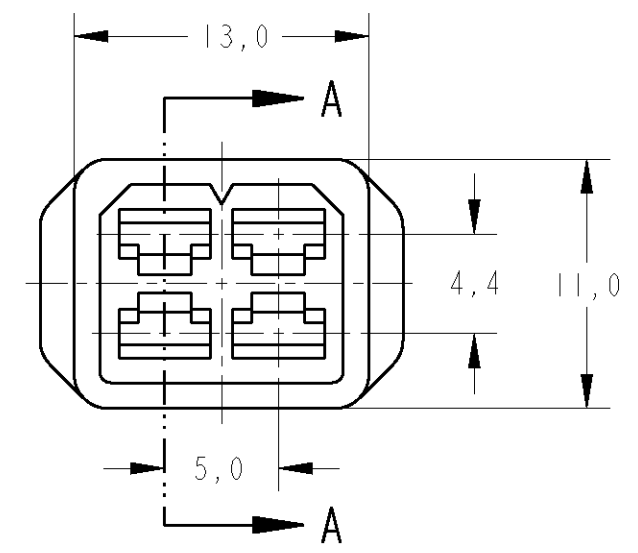
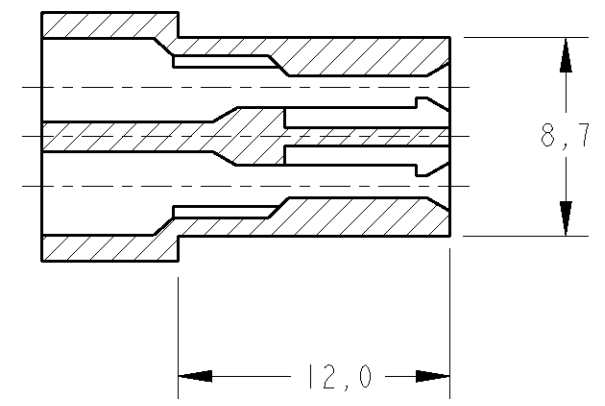
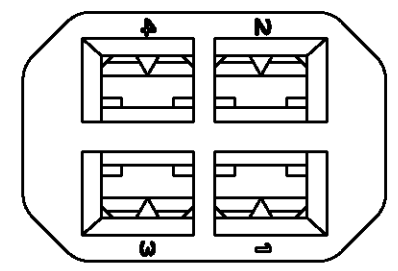


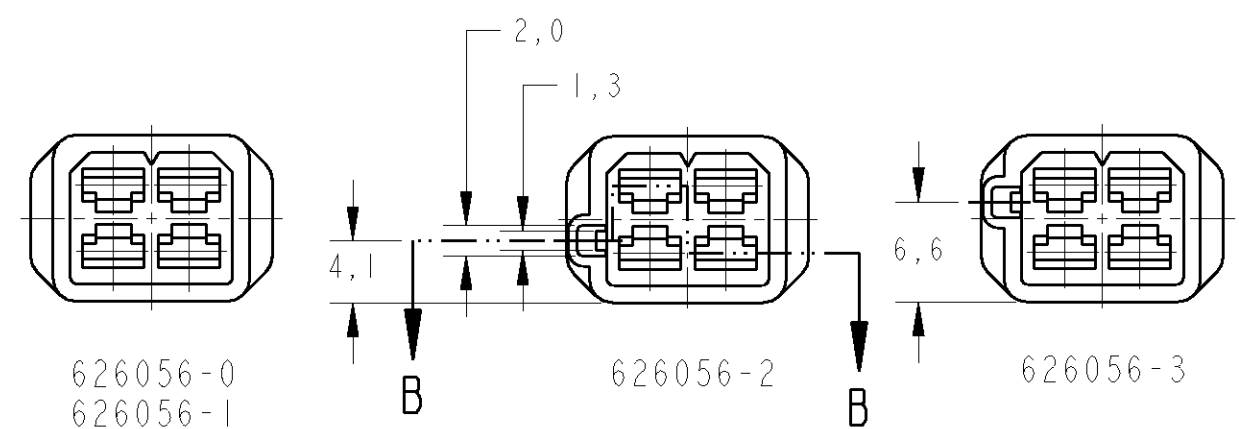
THIS DRAWING IS UNPUBLISHED. RELEASED FOR PUBLICATION
 © COPYRIGHT BY ALL RIGHTS RESERVED.

LOC	DIST	REVISIONS			
P	LTR	DESCRIPTION	DATE	DWN	APVD
AP	-	G1 REVISED PER ECO-11-005139	19MAR11	RK	HMR

CAD
Pro-E
 DO NOT REVISE
 EXCEPT BY CAD



PERSPECTIVE VIEW
 SCALE 2:1



RAW MAT'L NO	FINISH	MATERIAL	PART NUMBER
---	PRETO/BLACK	PA4.6 (HIGH TEMPERATURE)	626056-4
---	PRETO/BLACK	P.A. 6.6	626056-3
---	NATURAL	P.A. 6.6	626056-2
---	PRETO/BLACK	P.A. 6.6	626056-1
---	NATURAL	P.A. 6.6	626056-0

DIMENSIONS: mm 		TOLERANCES UNLESS OTHERWISE SPECIFIED: 0 PLC ±- 1 PLC ±0.3 2 PLC ±- 3 PLC ±- 4 PLC ±- ANGLES ±- FINISH ±-		DWN F.S.MARTINS 17JUN99 CHK P.L.FARIA 28JUN99 APVD J.M.M.NETO 28JUN99 PRODUCT SPEC - APPLICATION SPEC - WEIGHT -		STE TE Connectivity NAME HOUSING, 4 POSN., .110 FASTIN-ON RCPT.	
MATERIAL SEE TABLE		SEE TABLE		CUSTOMER DRAWING		SIZE A3 CAGE CODE 00779 DRAWING NO C-626056	RESTRICTED TO - SCALE 3:1 SHEET 1 OF 1 REV G1