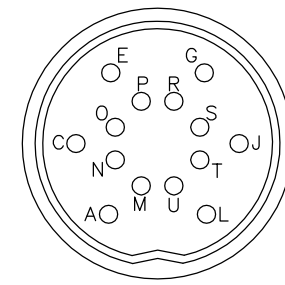
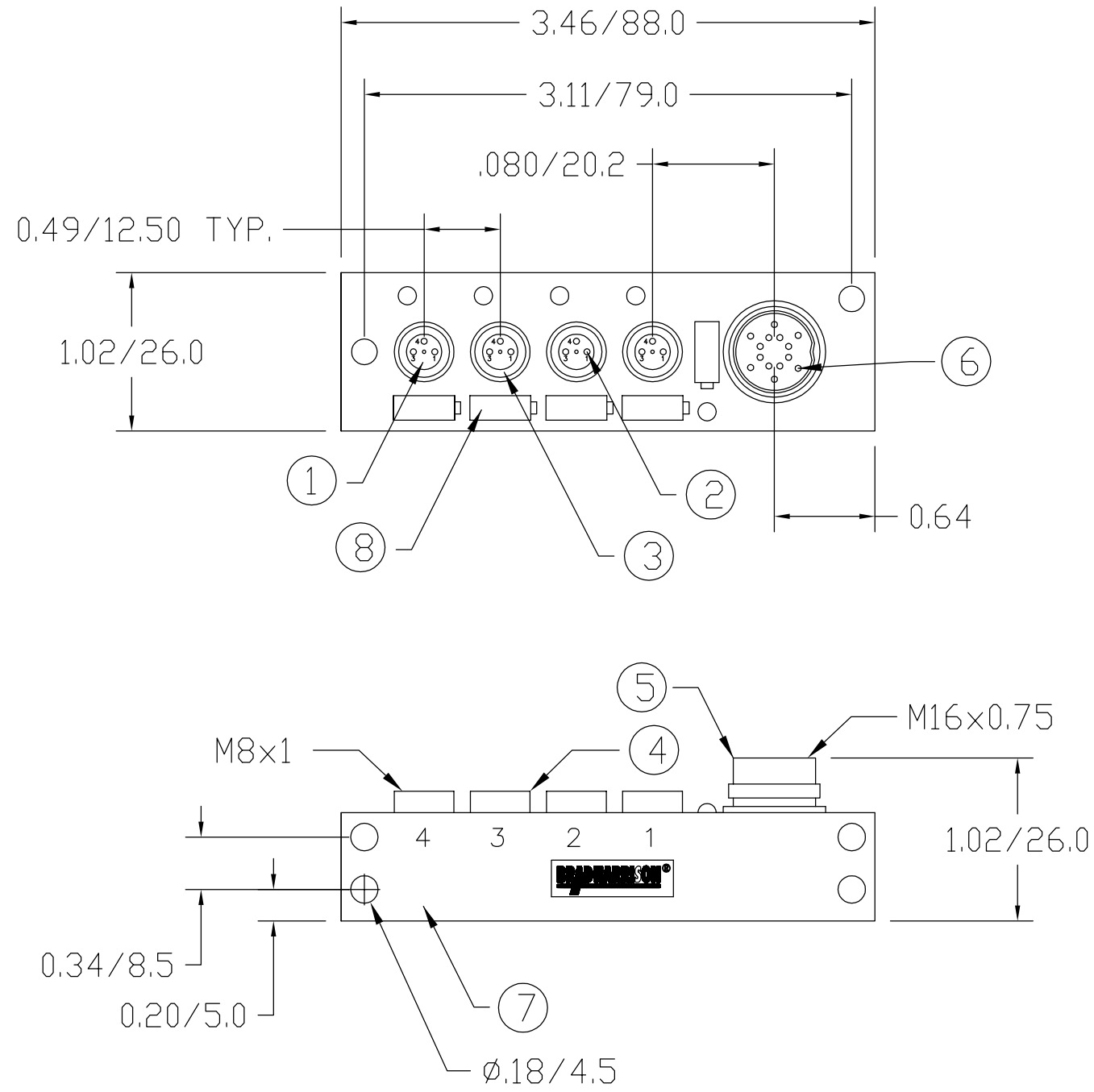
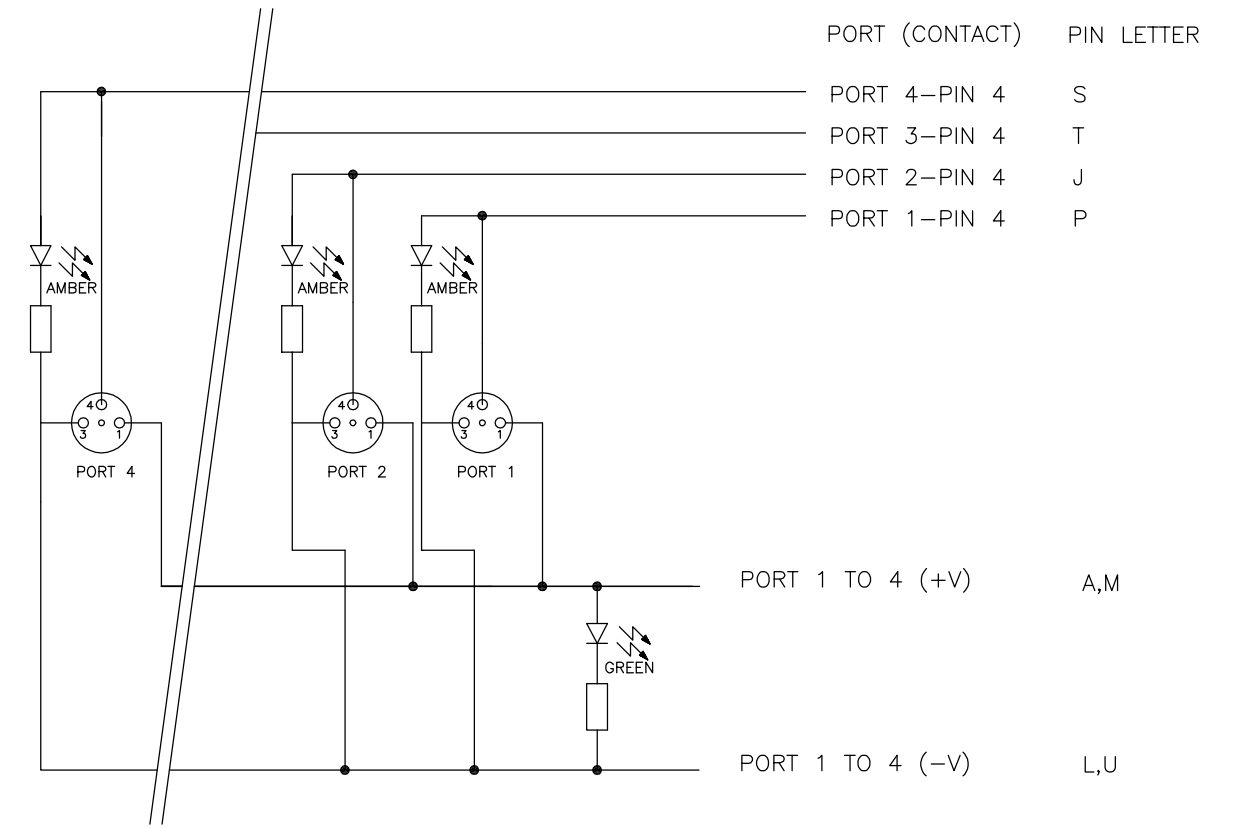
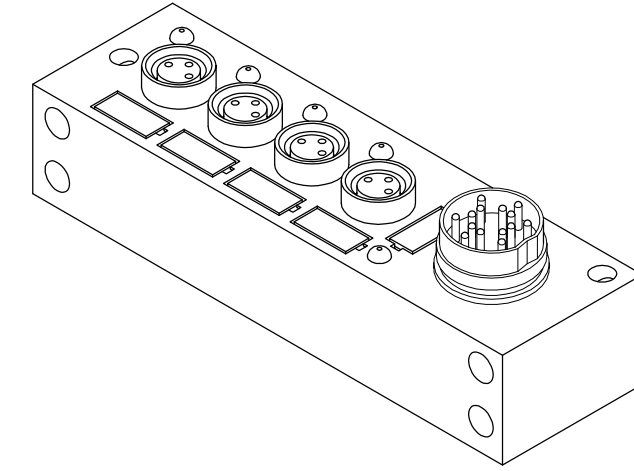
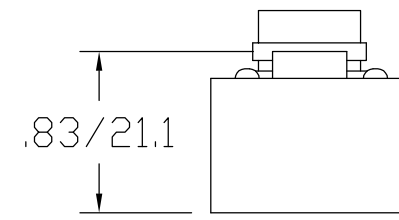


13	12	11	10	9	8	7	6	5	4	3	2	1
MATERIAL NUMBER	OLD PART NUMBER											
120113-0023	BNY401P-FBC											



FACE VIEW OF CONNECTOR



WIRING DIAGRAM

ITEM	COMPONENT	MATERIAL	FINISH
1	INSERT	POLYESTER	YELLOW
2	M8 CONTACT SOCKET	COPPER ALLOY	GOLD OVER NICKEL
3	O-RING	VITON	RED
4	M8 RECEPTACLE SHELL	BRASS	NICKEL PLATED
5	M16 RECEPTACLE SHELL	BRASS	NICKEL PLATED
6	M16 PIN CONTACT	BRASS	GOLD OVER NICKEL
7	HOUSING	NYLON	YELLOW
8	LABEL	ABS	WHITE

VOLTAGE RATING	10-30 VDC
AMPERAGE RATING PER PORT	2 AMPS
PROTECTION	IP67
OPERATING TEMPERATURE	-20°C TO 90°C

RELEASE DRAWING EC NO: WEU2010-0058 DRWN: LHARTMAN 8/21/09 CH'KD: BWOODMAN 2009/08/21 APPR: JFMURPHY 2009/08/21	QUALITY SYMBOL	GENERAL TOLERANCES (UNLESS SPECIFIED)		DIMENSION STYLE		SCALE	DESIGN UNITS	THIRD ANGLE PROJECTION		
	$\nabla=0$ $\sphericalangle=0$	4 PLACES	mm	INCH	IN/MM	NTS	METRIC			
		3 PLACES	±----	±----	DRAWN BY	DATE	TITLE			
		2 PLACES	±----	±.01	LHARTMAN	2009/08/21	NANO-CHANGE MPIS 8 PORT PNP CONNECTORIZD 14 POLE M16 CONNECTOR			
	1 PLACE	±0.3	±----	BWOODMAN	2009/08/21	MOLEX INCORPORATED				
		ANGULAR ±----°		APPROVED BY	DATE	MATERIAL NO.	DOCUMENT NO.	SHEET NO.		
		DRAFT WHERE APPLICABLE MUST REMAIN WITHIN DIMENSIONS		SEE CHART			SD-120113-008	1 OF 1		
		THIS DRAWING CONTAINS INFORMATION THAT IS PROPRIETARY TO MOLEX INCORPORATED AND SHOULD NOT BE USED WITHOUT WRITTEN PERMISSION								