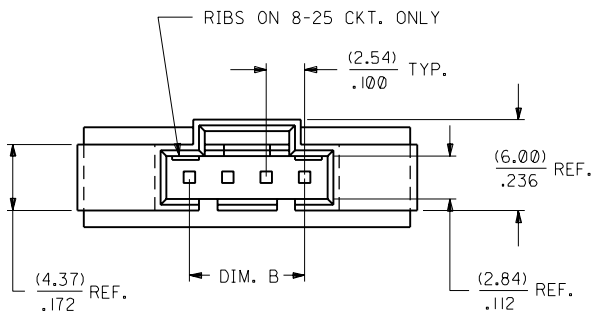
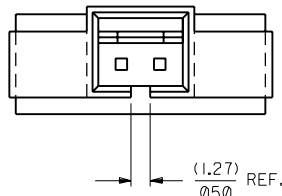


NOTES:

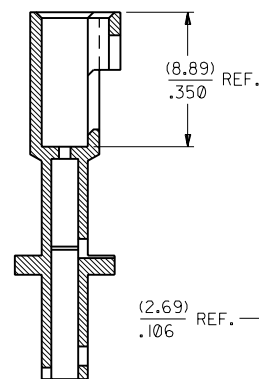
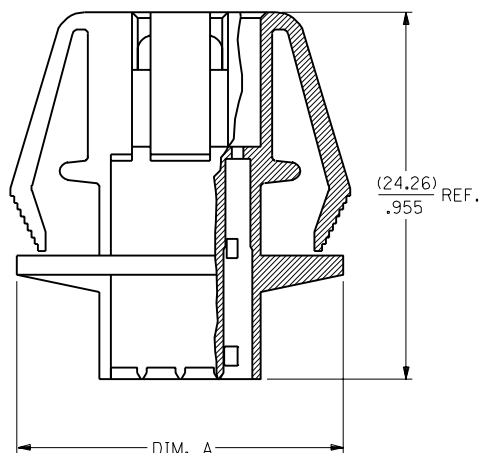
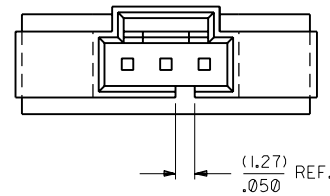
- 1) MATERIAL: POLYESTER, 94V-0
COLOR: BLACK
- 2) HOUSING TO BE USED WITH TERMINAL
PT. NO. 70021-****
- 3) SEE CHART FOR CIRCUIT SIZES
- 4) TO BE USED WITH 70400 SERIES
CONNECTORS (STYLE "G")
- 5) PANEL THICKNESS (0.81)/.032 - (2.36)/.093
- 6) SEE SHEET 3 FOR MOUNTING HOLE DIMENSIONS.
- 7) SEE SHEET 2 FOR OPTIONAL SKIRT AND
SHROUD CONFIGURATIONS
- 8) PACKAGE PER PK-70107-100.



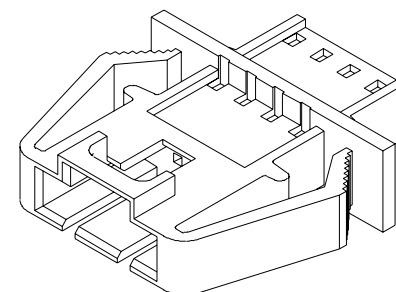
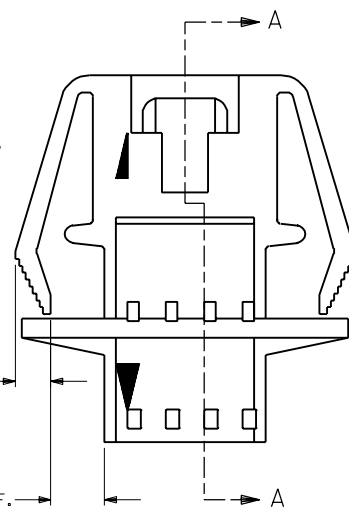
2 CIRCUIT



3 CIRCUIT



SECTION A-A (3.64) REF. / .144



CKT. SIZE	EDP. NO.	ENG. NO.	70107	
			A	B
2	701-07-0036	70107-0036	(16.51) .650	(2.54) .100
3	701-07-0037	70107-0037	(19.05) .750	(5.08) .200
4	701-07-0038	70107-0038	(21.59) .850	(7.62) .300
5	701-07-0039	70107-0039	(24.13) .950	(10.16) .400
6	701-07-0040	70107-0040	(26.67) 1.050	(12.70) .500
7	701-07-0041	70107-0041	(29.21) 1.150	(15.24) .600
8	701-07-0042	70107-0042	(31.75) 1.250	(17.78) .700
9	701-07-0043	70107-0043	(34.29) 1.350	(20.32) .800
10	701-07-0044	70107-0044	(36.83) 1.450	(22.86) .900
11	701-07-0045	70107-0045	(39.37) 1.550	(25.40) 1.000
12	701-07-0046	70107-0046	(41.91) 1.650	(27.94) 1.100
13	701-07-0047	70107-0047	(44.45) 1.750	(30.48) 1.200
14	701-07-0048	70107-0048	(46.99) 1.850	(33.02) 1.300
15	701-07-0049	70107-0049	(49.53) 1.950	(35.56) 1.400
16	701-07-0050	70107-0050	(52.07) 2.050	(38.10) 1.500
17	701-07-0051	70107-0051	(54.61) 2.150	(40.64) 1.600
18	701-07-0052	70107-0052	(57.15) 2.250	(43.18) 1.700
19	701-07-0053	70107-0053	(59.69) 2.350	(45.72) 1.800
20	701-07-0054	70107-0054	(62.23) 2.450	(48.26) 1.900
21	701-07-0055	70107-0055	(64.77) 2.550	(50.80) 2.000
22	701-07-0056	70107-0056	(67.31) 2.650	(53.34) 2.100
23	701-07-0057	70107-0057	(69.85) 2.750	(55.88) 2.200
24	701-07-0058	70107-0058	(72.39) 2.850	(58.42) 2.300
25	701-07-0059	70107-0059	(74.93) 2.950	(60.96) 2.400

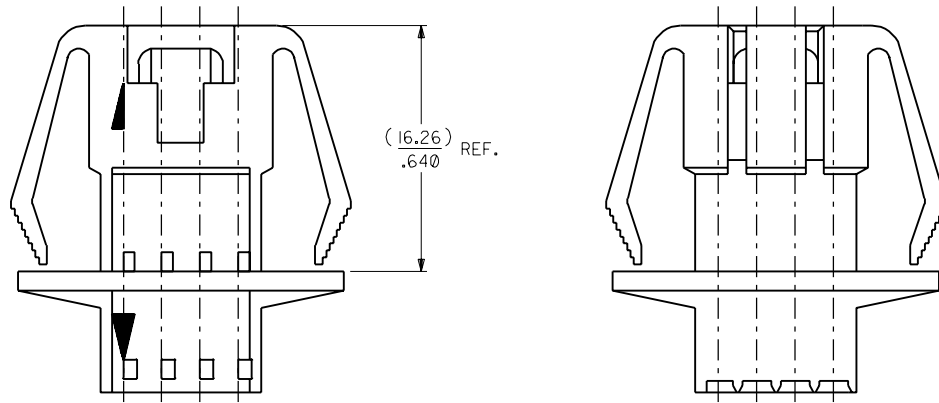
3	G
2	J
1	J
MFG. SH. REV.	

DIMENSIONS SHOWN (METRIC) INCH UNLESS OTHERWISE SPECIFIED TOLERANCES: ANGULAR ± 1/2°		□ = 0 ▽ = 0 REVISE ONLY ON CAD SYSTEM	
5 PLACE ± .010 --- 2 PLACE ± .014 ± 0.25 1 PLACE --- ± 0.35		TITLE HOUSING, CONNECTOR (2.54)/.100 GRID	
DRAFT WHERE APPLICABLE MUST REMAIN WITHIN DIMENSIONS		MOLEX INCORPORATED SHEET NO. DATE Lisle, Ill. 60532 U.S.A. 1 OF 3 7 / 4/86	
DRWG. NO. SD-70107-0036-0059		FILE NAME DIV. S70107X02 100	
DRWG. BY: RS CHK'D. BY: MJM APP'D. BY: WAZ SCALE: 4:1		THIS DRAWING CONTAINS INFORMATION THAT IS PROPRIETARY TO MOLEX INC. AND SHOULD NOT BE USED WITHOUT WRITTEN PERMISSION.	
LTR.	REVISIONS	LTR.	REVISIONS

70107

13 12 11 10 9 8 7 6 70107 4 3 2 1

J I H G F E D C B A



OPTIONAL CONFIGURATIONS FOR INTERNATIONAL MOLD

70107

MFG. SH. REV.

DIMENSIONS SHOWN (METRIC) INCH
UNLESS OTHERWISE SPECIFIED
TOLERANCES: ANGULAR ± 1/2°

	INCH	METRIC
3 PLACE	± .010	---
2 PLACE	± .014	± 0.25
1 PLACE	---	± 0.35

DRAFT WHERE APPLICABLE MUST
REMAIN WITHIN DIMENSIONS

DRWG. BY: RS CHK'D. BY: MJM
APP'D. BY: WAZ SCALE: 4:1

REVISIONS ONLY ON CAD SYSTEM

TITLE: HOUSING, CONNECTOR (2.54)/.100 GRID

MOLEX INCORPORATED U.S.A. SHEET NO. 2 DATE 7 / 4 / 86
L15LE.I1.LL. 60532

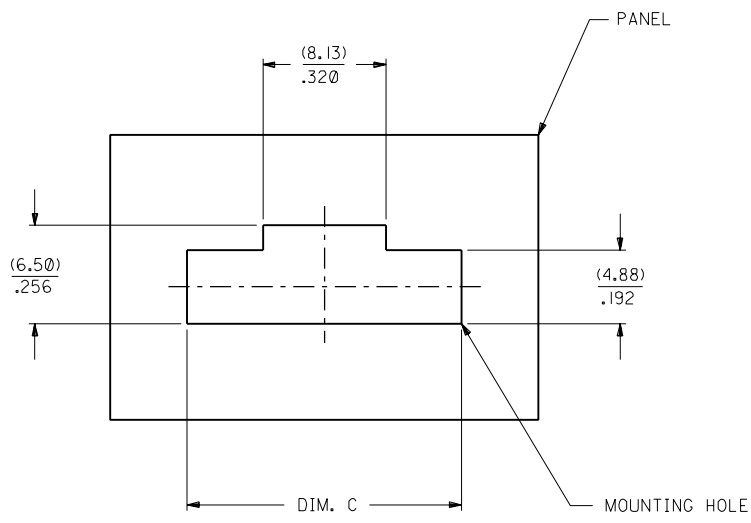
PART NO. SD-70107-0036-0059

FILE NAME: S70107X06.DGN
THIS DRAWING CONTAINS INFORMATION THAT IS PROPRIETARY TO MOLEX INC. AND SHOULD NOT BE USED WITHOUT WRITTEN PERMISSION.

DIV. DA SIZE C

		G	SEE SHEET I
LTR.	REVISIONS	LTR.	REVISIONS

13 12 11 10 9 8 7 6 5 4 3 2 1



RECOMMENDED MOUNTING HOLE LAYOUT

CKT. SIZE	EDP. NO.	ENG. NO.	C
2	701-07-0036	70107-0036	(13.08) .515
3	701-07-0037	70107-0037	(15.62) .615
4	701-07-0038	70107-0038	(18.61) .715
5	701-07-0039	70107-0039	(20.70) .815
6	701-07-0040	70107-0040	(23.24) .915
7	701-07-0041	70107-0041	(25.78) 1.015
8	701-07-0042	70107-0042	(28.32) 1.115
9	701-07-0043	70107-0043	(30.86) 1.215
10	701-07-0044	70107-0044	(33.40) 1.315
11	701-07-0045	70107-0045	(35.94) 1.415
12	701-07-0046	70107-0046	(38.48) 1.515
13	701-07-0047	70107-0047	(41.02) 1.615
14	701-07-0048	70107-0048	(43.56) 1.715
15	701-07-0049	70107-0049	(46.10) 1.815
16	701-07-0050	70107-0050	(48.64) 1.915
17	701-07-0051	70107-0051	(51.18) 2.015
18	701-07-0052	70107-0052	(53.72) 2.115
19	701-07-0053	70107-0053	(56.26) 2.215
20	701-07-0054	70107-0054	(58.80) 2.315
21	701-07-0055	70107-0055	(61.34) 2.415
22	701-07-0056	70107-0056	(63.88) 2.515
23	701-07-0057	70107-0057	(66.42) 2.615
24	701-07-0058	70107-0058	(68.96) 2.715
25	701-07-0059	70107-0059	(71.50) 2.815

70107

MFG. SH. REV.

REVISE ONLY ON CAD SYSTEM

TITLE HOUSING, CONNECTOR (2.54)/.100 GRID

MOLEX INCORPORATED SHEET NO. 3 DATE 7 / 5 / 86
L1SLE,ILL. 60532 U.S.A.

PART NO. SD-70107-0036-0059

FILE NAME S70107X03 DIV. DA I C
MOLLEX INC. AND SHOULD NOT BE USED WITHOUT WRITTEN PERMISSION.

DIMENSIONS SHOWN (METRIC) INCH
UNLESS OTHERWISE SPECIFIED TOLERANCES: ANGULAR ± 1/2°
INCH METRIC
3 PLACE ± .005 ---
2 PLACE ± .01 ± 0.13
1 PLACE --- ± 0.25
DRAFT WHERE APPLICABLE MUST REMAIN WITHIN DIMENSIONS
DRWG. NO. 60532

SEE SHEET I

LTR.	REVISIONS	LTR.	REVISIONS
		G	SEE SHEET I