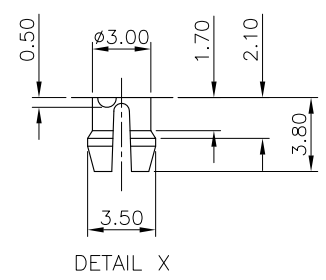
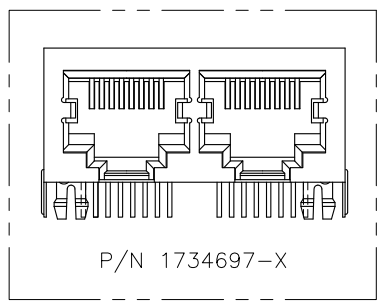
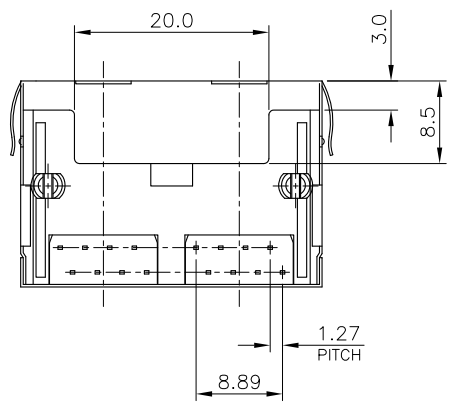
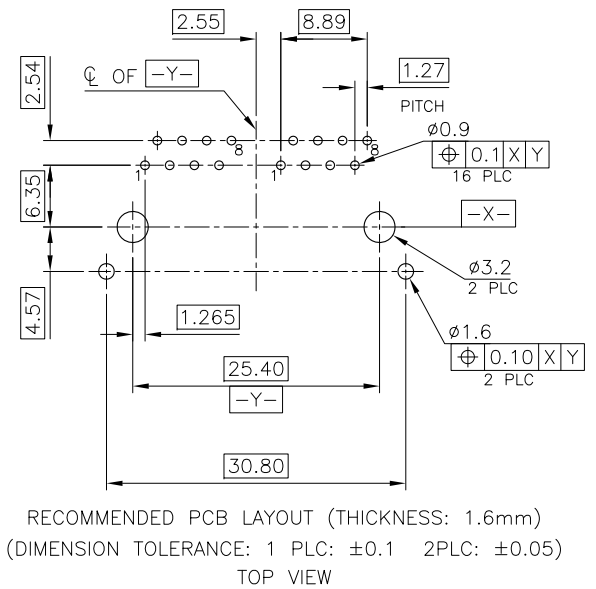
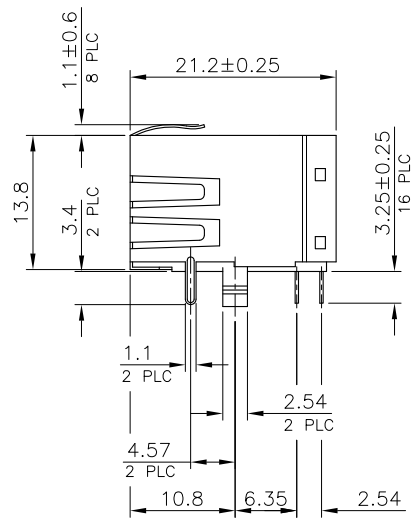
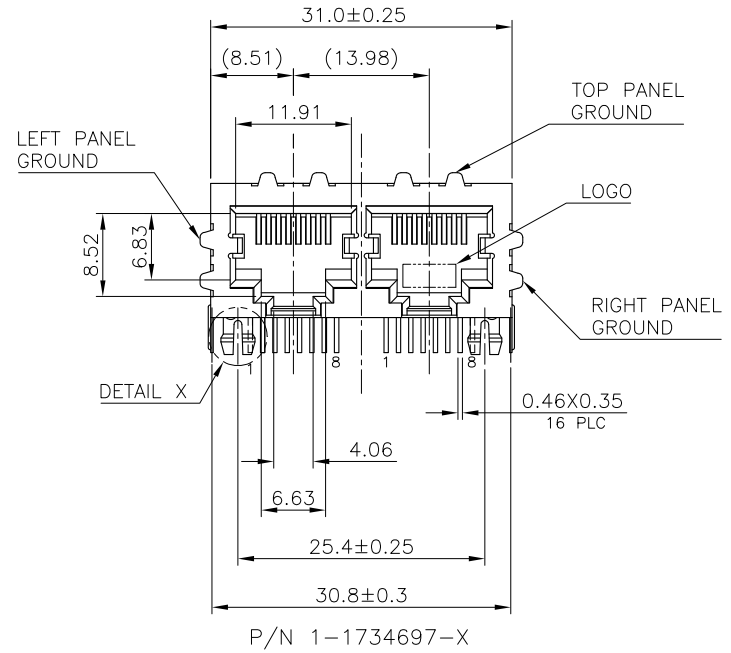


THIS DRAWING IS UNPUBLISHED. RELEASED FOR PUBLICATION
 © COPYRIGHT 2011 BY TYCO ELECTRONICS CORPORATION. ALL RIGHTS RESERVED.

LOC DW	DIST	REVISIONS			
P	LTR	DESCRIPTION	DATE	DWN	APVD
D		REVISED (ECR-12-012115) OBSOLETE P/N -1, -2, -3, -4, 1-1, 1-3, 1-4	26OCT'12	E.L.	W.K.



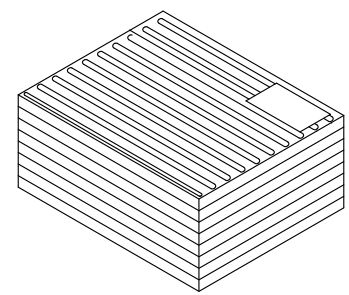
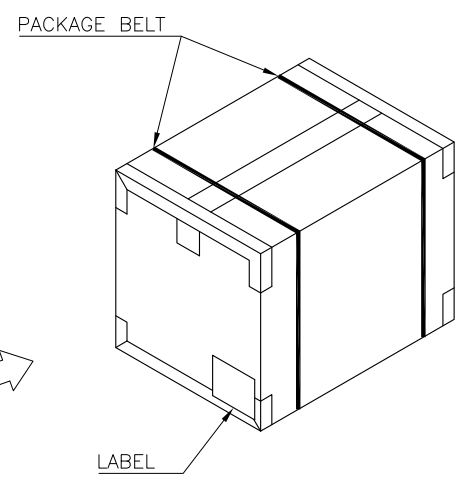
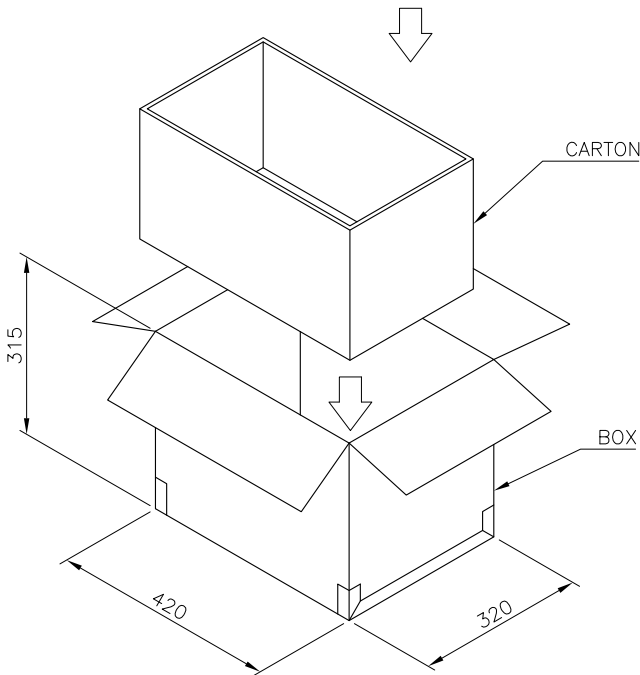
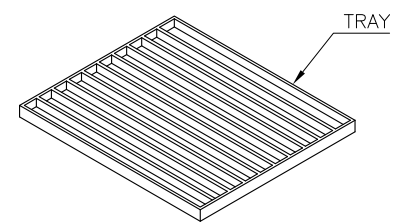
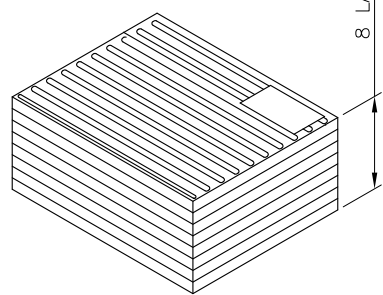
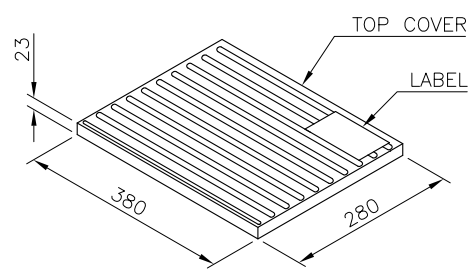
- NOTE:
- MATERIAL:
HOUSING: PBT WITH 30% GF, UL94 V-0, COLOR: BLACK.
CONTACTS: PHOSPHOR BRONZE.
SHELL: BRASS.
 - FINISH:
CONTACTS: (SEE TABLE) GOLD PLATED ON CONTACT AREA, GOLD FLASH ON SOLDER TAIL, WITH ENTIRE CONTACT UNDERPLATED 1.27um [50u"] MIN. NICKEL.
SHELL: 0.508um [20u"] MIN. NICKEL PLATED.
 - WAVE SOLDER CAPABLE TO 240°C PER TE SPEC 109-202, CONDITION B.

OBSOLETE	W	1.27um [50u"]	1-1734697-4
		0.762um [30u"]	1-1734697-3
		0.381um [15u"]	1-1734697-2
OBSOLETE	W/O	0.152um [6u"]	1-1734697-1
		1.27um [50u"]	1-1734697-4
		0.762um [30u"]	1-1734697-3
		0.381um [15u"]	1-1734697-2
	PANEL GROUND	MIN. GOLD THICKNESS	PART NUMBER

THIS DRAWING IS A CONTROLLED DOCUMENT.		DWN T. KUO 09JUL2008	TE Connectivity			
DIMENSIONS: mm		CHK A. WU 09JUL2008				
TOLERANCES UNLESS OTHERWISE SPECIFIED:		APVD W. KODAMA 09JUL2008	NAME			
0 PLC ± - 1 PLC ± 0.3 2 PLC ± 0.2 3 PLC ± 0.15 4 PLC ± - ANGLES ± - ± 3'		PRODUCT SPEC 108-57535	MODULAR JACK CONNECTOR RJ45, 8P8C, TAB DOWN, 1X2 PORTS SHIELDED, DIP TYPE			
MATERIAL SEE NOTE	FINISH SEE NOTE	APPLICATION SPEC	SIZE A3	CAGE CODE 00779	DRAWING NO C-1734697	RESTRICTED TO -
		WEIGHT 12 GRAMS	CUSTOMER DRAWING		SCALE -	SHEET 1 OF 2
				REV D		

THIS DRAWING IS UNPUBLISHED. RELEASED FOR PUBLICATION
 © COPYRIGHT 2011 BY TYCO ELECTRONICS CORPORATION. ALL RIGHTS RESERVED.

LOC DW	DIST	REVISIONS			
P	LTR	DESCRIPTION	DATE	DWN	APVD
		SEE SHEET 1.			



11.5 Kg	9.5 Kg	100	8	800	1-1734697-X
12.5 Kg	10.5 Kg	110	8	880	1734697-X
GROSS WEIGHT	NET WEIGHT	PCS/ TRAY	TRAY/ BOX	PCS/ BOX	PART NUMBER

THIS DRAWING IS A CONTROLLED DOCUMENT.		DWN	TE Connectivity			
DIMENSIONS: mm	TOLERANCES UNLESS OTHERWISE SPECIFIED:	CHK	NAME			
	0 PLC ± -	APVD	PRODUCT SPEC			
	1 PLC ± 0.3	PRODUCT SPEC	APPLICATION SPEC			
	2 PLC ± 0.2	WEIGHT	SIZE			
	3 PLC ± 0.15	CUSTOMER DRAWING	CAGE CODE			
4 PLC ± -	FINISH	DRAWING NO				
ANGLES ± 3'		RESTRICTED TO				
MATERIAL		A3 00779 ©=1734697				
		SCALE				
		SHEET 2 of 2				
		REV D				