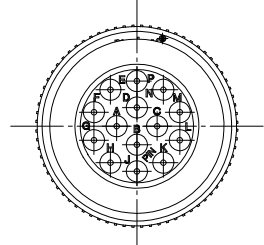
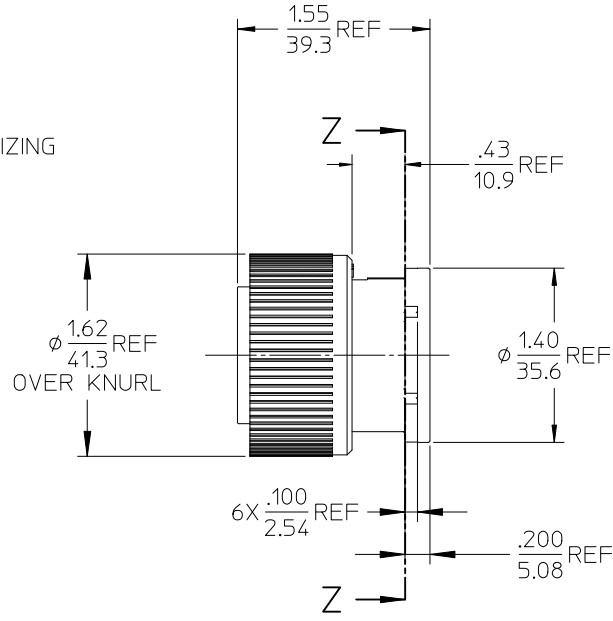
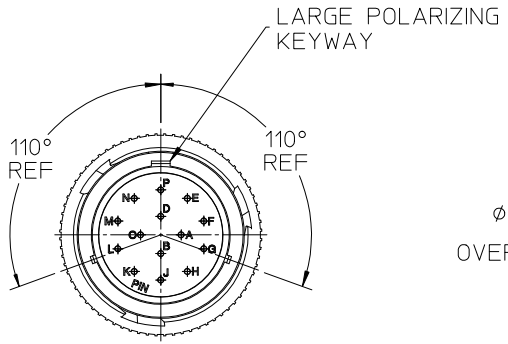
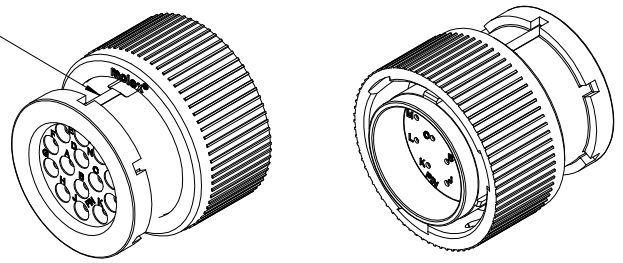


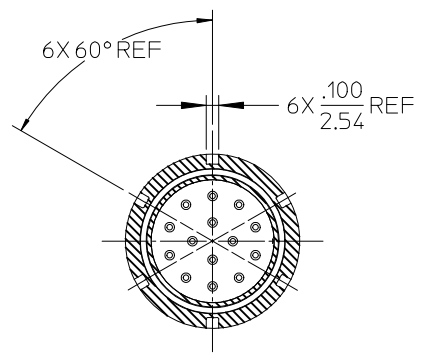
10	9	8	7	6	5	4	3	2	1
MATERIAL NUMBER	WIRE AWG	INSUL DIA O.D.							
845010001	18-14	.053(1.35) - .134(3.40)							



LARGE POLARIZING KEY INDICATOR



WIRE ENTRY VIEW



SECTION Z-Z

- NOTES:
- MATERIALS:
HOUSINGS: POLYESTER (PBT), GLASS FILLED, UL94V-0 & POLYETHERIMIDE (PEI), UNFILLED, UL94V-0.
COLOR, UNLESS OTHERWISE SPECIFIED: BLACK
SEALS: SILICONE RUBBER
COLOR: RUST RED
 - PRODUCT SPECIFICATION: PS-84501-001.
 - MATES WITH: SERIES 84508 RECEPTACLE CONNECTOR.
 - USE CONNECTOR WITH MALE CRIMP TERMINAL SERIES 84524.
 - ALL COMPONENTS ARE ROHS COMPLIANT.

UPDATE NOTE TO 84524 TERMS.
WIRE INS. O.D. & O.L.
EC NO: WNAZ011-0402
IDR/MNH/LEUNG 2011/01/28
CHKD: CHKD:
APPR:DJT/ITUS 2011/02/03

REV	DESCRIPTION
1	QUALITY SYMBOLS
	▽=0
	▽=0

GENERAL TOLERANCES (UNLESS SPECIFIED)	
	mm INCH
4 PLACES	± .015 ± .0006
3 PLACES	± .010 ± .0004
2 PLACES	± 0.38 ± .02
1 PLACE	± 0.5 ± .02
ANGULAR ± 1°	
DRAFT WHERE APPLICABLE MUST REMAIN WITHIN DIMENSIONS	

DIMENSION STYLE	
IN/MM	
DRAWN BY	DATE
DMYRICK	2006/2/8
CHECKED BY	DATE
JPAWLICKI	2006/2/8
APPROVED BY	DATE
RDEROSS	2006/2/8
MATERIAL NO.	
SEE CHART	

SCALE	DESIGN UNITS	THIRD ANGLE PROJECTION
1:1	INCH	
TITLE		
PLUG CONNECTOR ASSEMBLY, 18-14 POS PIN TERMINALS		
MATERIAL NO. SD-84501-001		
DOCUMENT NO.		SHEET NO.
SD-84501-001		1 OF 1

THIS DRAWING CONTAINS INFORMATION THAT IS PROPRIETARY TO MOLEX INCORPORATED AND SHOULD NOT BE USED WITHOUT WRITTEN PERMISSION