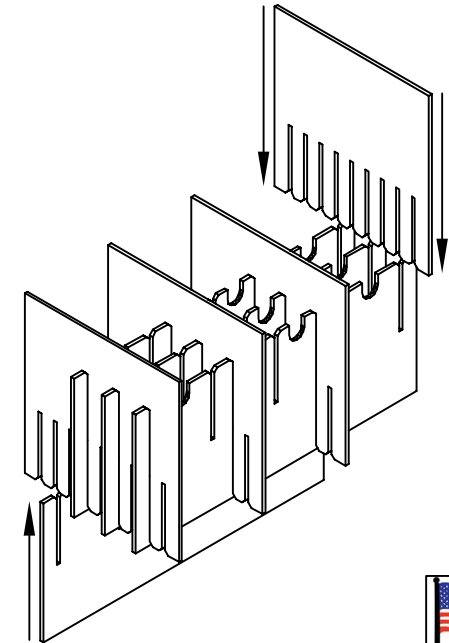
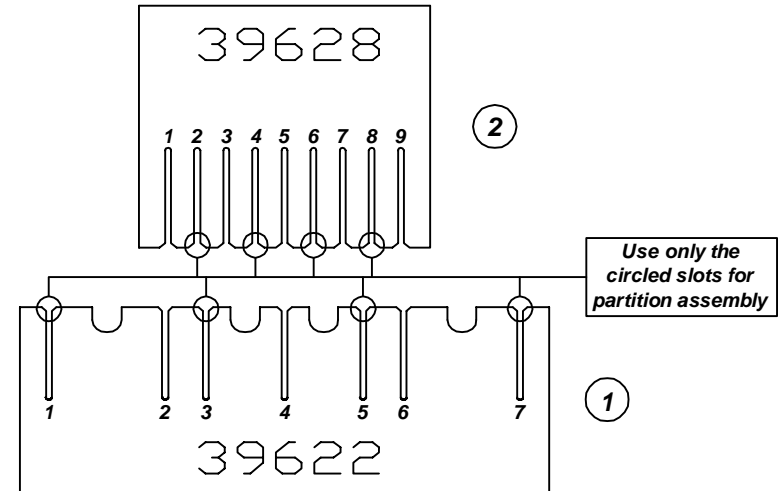
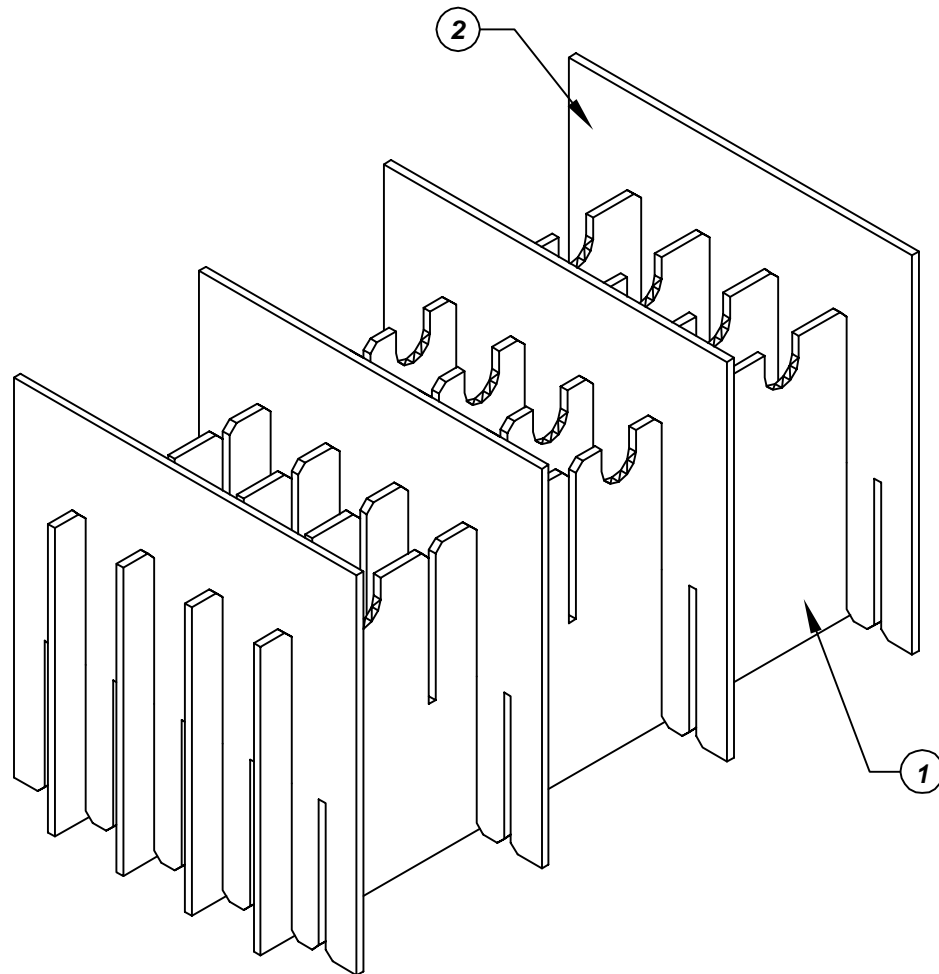


Assembly Instructions for - 37186



Made in America

F/N ①	Part # 39622	Dimensions: 19-3/4" x 22-3/4"	Description: 404/440-LP Long Partition	Qty: 4
F/N ②	Part # 39628	Dimensions: 25-1/2" x 12-1/2"	Description: 404-SP Short Partition	Qty: 4

37186 - 15 Cell Inplant Handler Cell Size - 12-5/8" x 6-1/2" x 2-1/4"

Notes:
For use with the following storage container & lid:
37504 - Storage Container
37552 - Lid

PROTEKTIVE PAK
13520 MONTE VISTA AVENUE, CHINO, CA 91710
PHONE (909) 627-2578, FAX (909) 363-7331
ProtektivePak.com



DRAWING NUMBER
IPH-37186

DATE
Dec. 2007