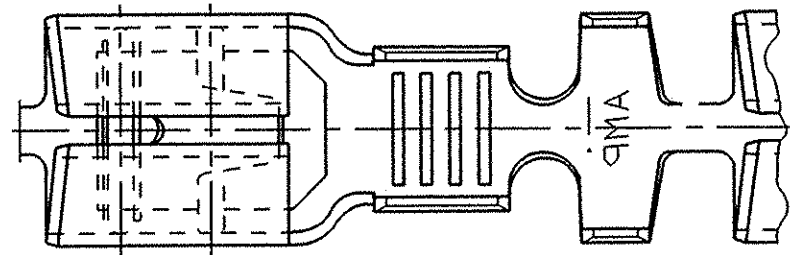


DO NOT SCALE

DIMENSIONS IN mm

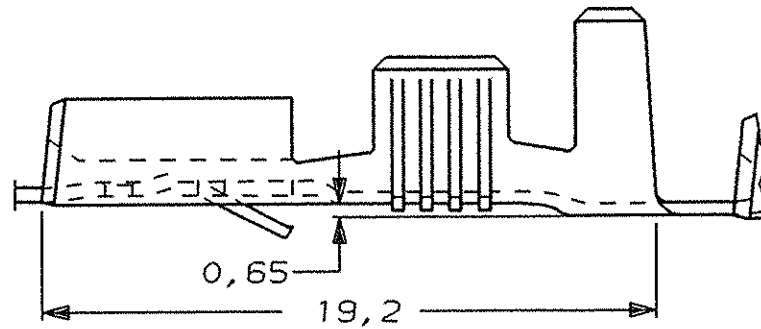
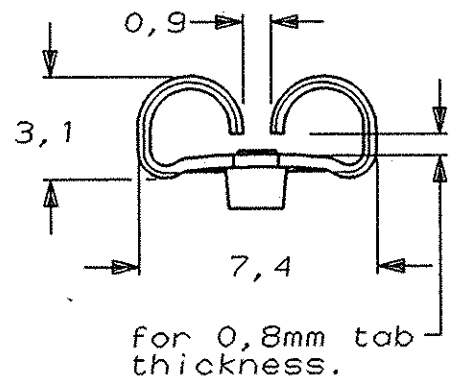
METRIC

THIRD ANGLE
PROJECTION

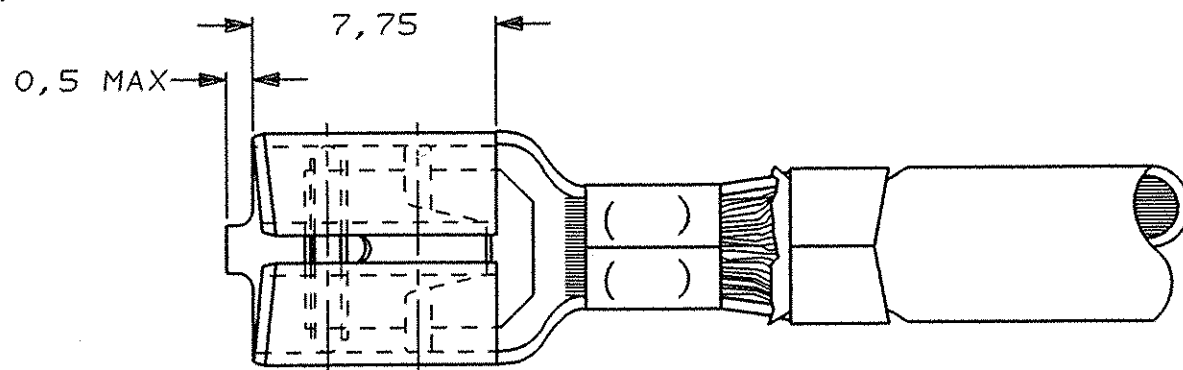


NOTES

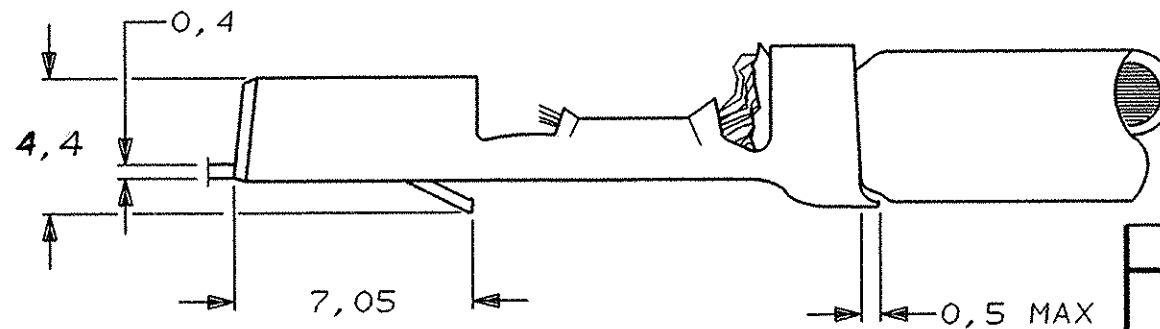
- 1. FOR USE ON MINIATURE APPLICATORS (LEFT-RIGHT FEED) AND STANDARD APPLICATORS (RIGHT-LEFT FEED).
- 2. REELED WITH PAPER COVER.



ORIGINAL DOCUMENT
UNDER REVISION
BY *P. Heyden*
DATE *16.05.96*



GENERAL TOLERANCE $\pm 0,3$ mm.



NOTES	FINISH	MATERIAL	PARTNUMBER
Δ	PRE-TINPLATED	PH. BRONZE	6-160914-8
Δ	PRE-TINPLATED	BRASS	6-160914-7
Δ	TINPLATED	PH. BRONZE	160914-4
Δ	UNPLATED	PH. BRONZE	160914-3
Δ	TINPLATED	BRASS	160914-2
Δ	UNPLATED	BRASS	160914-1

CUSTOMER DRAWING

AMP

TYCO ELECTRONICS AMP
BARCELONA, SPAIN

FOR REFERENCE ONLY
WILL NOT BE UPDATED

~~THIS DRAWING IS UNPUBLISHED~~ RELEASED FOR PUBLICATION JULY, 1987

© COPYRIGHT 1987 BY AMP-HOLLAND B.V.
ALL INTERNATIONAL RIGHTS RESERVED.
AMP PRODUCTS MAY BE COVERED BY U.S. AND FOREIGN PATENTS AND/OR PATENTS PENDING.

DR.	DATE	WIRE RANGE	NAME	REV. DATE
L.V.D. HEYDEN	02.07.87	4,0-6,0 mm ²	.250 SRS FASTIN-ON RECEPTACLE.	D M Y
CHK. A.B.	10.08.87	INSUL. RANGE 4,0-5,2mmDIA		17 01 03
APP. L.v. Soest	25.08.87	SIZE A3	SHEET 1 OF 1	REV. LTR. D1
			DWG. No. C-160914	

8

7

6

5

4

3

2

1