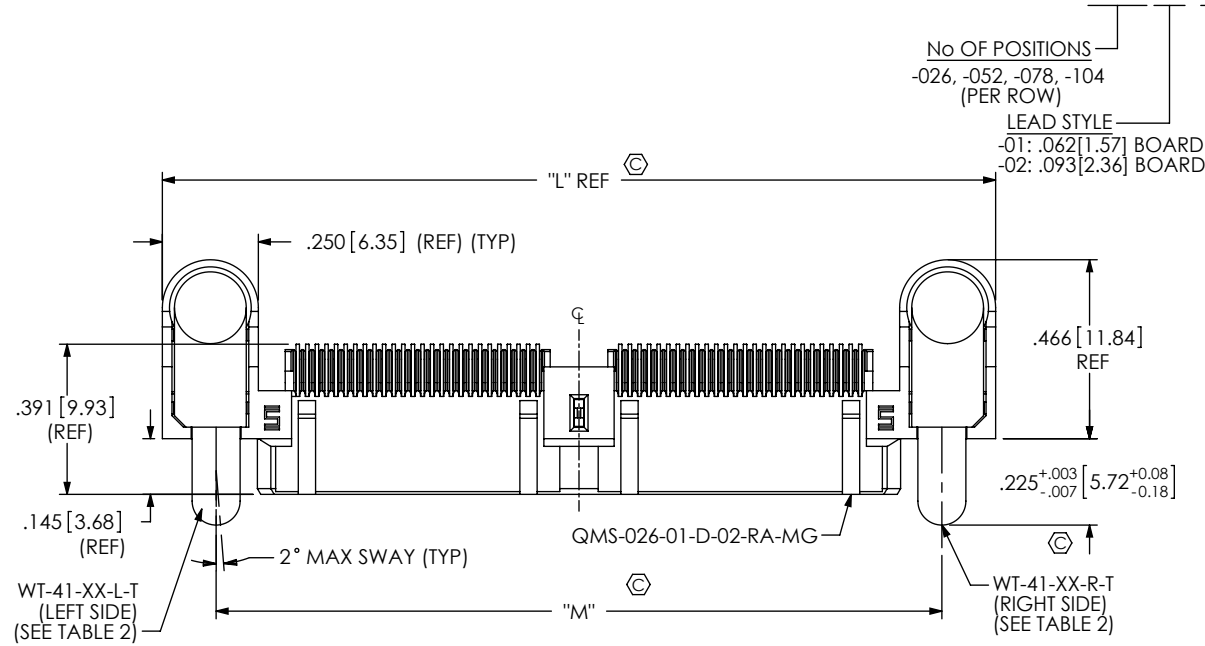


DO NOT SCALE FROM THIS PRINT



- PACKAGING OPTION
 - TR: TAPE & REEL PACKAGING (-026 & -052 WITH NO OPTIONS)
 - (-026 & -052 WITH -PC4)
 - (-026 WITH -PC8)
- OPTION
 - K: KAPTON PAD (USE K-850-650)
 - PC4: 4 POWER PINS (SEE FIG. 2, SHEET 5) (NOT AVAILABLE WITH -104 POS) (NOT AVAILABLE WITH -MG)
 - PC8: 8 POWER PINS (SEE FIG. 3, SHEET 5) (NOT AVAILABLE WITH -104 POS) (NOT AVAILABLE WITH -MG)
- GUIDE POST
 - MG: METAL GUIDE POST (LEAVE BLANK FOR PLASTIC OR PCX. PLASTIC AVAILABLE AS ASO ONLY.)
- RA: RIGHT ANGLE
- ROW SPECIFICATION
 - D: DOUBLE (USE QMS-XXX-01-D-XX-RA)
- PLATING SPECIFICATION (SEE TABLE 6, SHEET 4)
 - SL: 10μ" GOLD IN CONTACT AREA, MATTE TIN TAIL
 - S: 30μ" GOLD IN CONTACT AREA, MATTE TIN TAIL
 - L: 10μ" GOLD IN CONTACT AREA, 3μ" GOLD ON TAIL
 - H: 30μ" GOLD IN CONTACT AREA, 3μ" GOLD ON TAIL

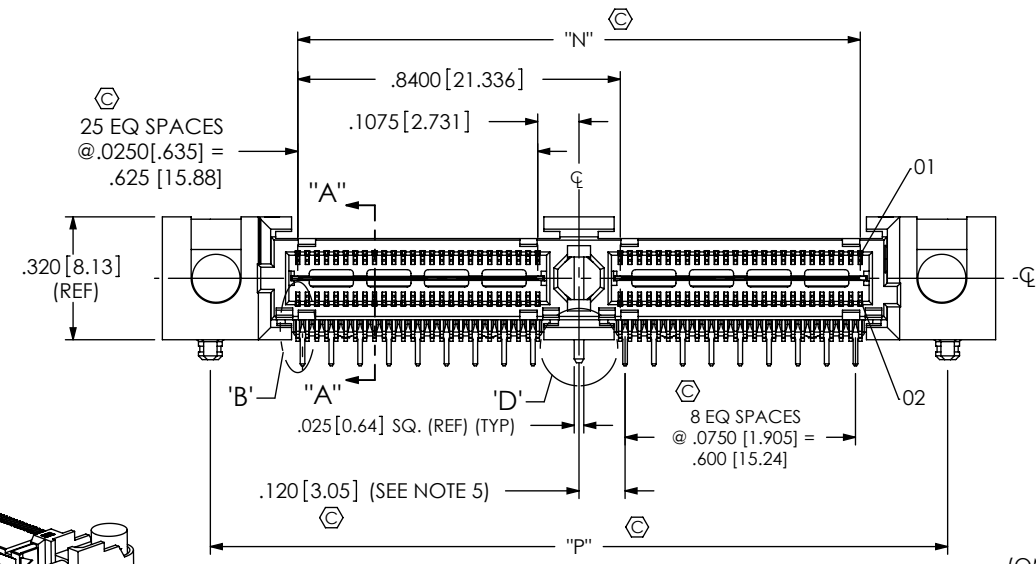


TABLE 5

| POSITION | "L" | "M" | "N" | "P" |
|----------|---------------|---------------|---------------|---------------|
| -026 | 1.330 [33.78] | 1.050 [26.67] | .625 [15.88] | 1.080 [27.43] |
| -052 | 2.170 [55.12] | 1.890 [48.01] | 1.465 [37.21] | 1.920 [48.77] |
| -078 | 3.010 [76.45] | 2.730 [69.34] | 2.305 [58.55] | 2.760 [70.10] |
| -104 | 3.850 [97.79] | 3.570 [90.68] | 3.145 [79.88] | 3.600 [91.44] |

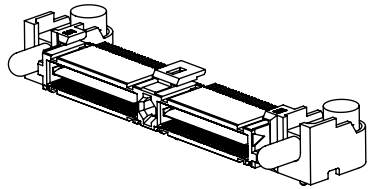
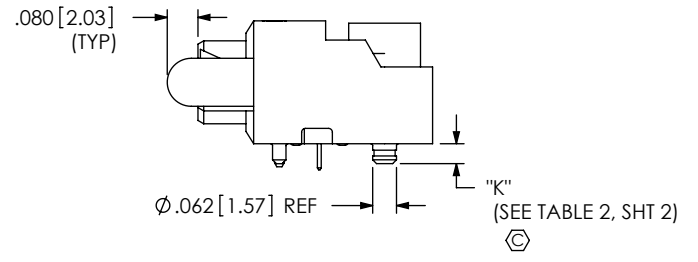


FIG. 1 (QMS-052-XX-XX-D-RA-MG SHOWN)

- NOTES:
- REPRESENTS A CRITICAL DIMENSION.
 - MAXIMUM BURR ALLOWANCE: .0010 [0.02]
 - MINIMUM PUSHOUT FORCE: SIGNAL: .5 LB. [2.22N] SHIELD/GROUND, POWER PIN, COUNTERWEIGHT AND METAL GUIDE POST: 1 LB. [4.45N]
 - PARTS TO BE PACKAGED IN TRAYS AS STANDARD.
 - DOES NOT APPLY TO 1 BANK.
 - WT-28-XX-T NOT PRESENT ON SINGLE BANK WITH THE -MG OPTION
 - USE -Z- DATUM ZONE ONLY FOR MEASUREMENTS.

UNLESS OTHERWISE SPECIFIED, DIMENSIONS ARE IN INCHES.
 TOLERANCES ARE:
 DECIMALS ANGLES
 .XX: ±.01 [.3] 2°
 .XXX: ±.005 [.13]
 .XXXX: ±.0020 [.051]

PROPRIETARY NOTE
 THIS DOCUMENT CONTAINS INFORMATION CONFIDENTIAL AND PROPRIETARY TO SAMTEC, INC. AND SHALL NOT BE REPRODUCED OR TRANSFERRED TO OTHER DOCUMENTS OR DISCLOSED TO OTHERS OR USED FOR ANY PURPOSE OTHER THAN THAT WHICH IT WAS OBTAINED WITHOUT THE EXPRESSED WRITTEN CONSENT OF SAMTEC, INC.



520 PARK EAST BLVD, NEW ALBANY, IN 47150
 PHONE: 812-944-6733 FAX: 812-948-5047
 e-Mail: info@SAMTEC.com code 55322

MATERIAL: DO NOT SCALE DRAWING SHEET SCALE: 2:1
 INSULATOR: LCP, COLOR BLACK
 CONTACT, POWER PIN, & GROUND PLANE: PHOS BRONZE
 COUNTERWEIGHT: BRASS
 METAL GUIDE POST: ZINC

DESCRIPTION: .635mm DUAL ROW RIGHT ANGLE PLUG ASSEMBLY

DWG. NO. QMS-XXX-XX-XX-D-RA-XX-XXX-XX

BY: KNOWLDEN 8/25/2006 SHEET 1 OF 6

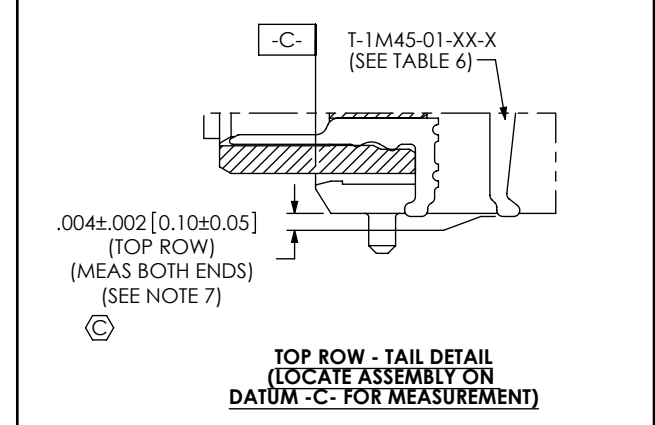
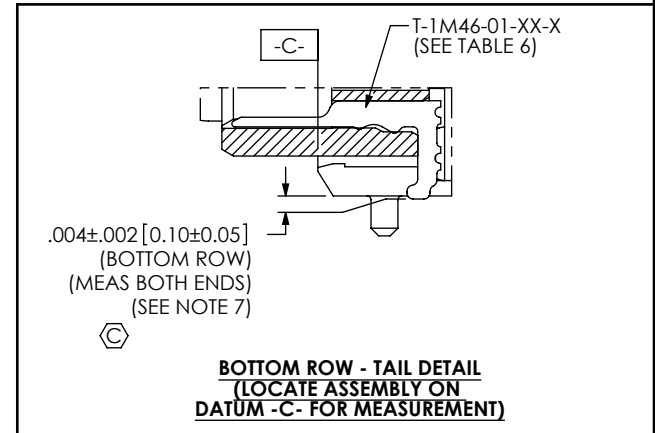
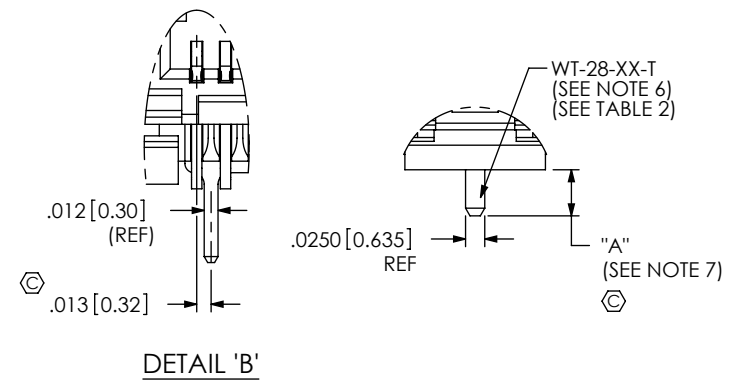
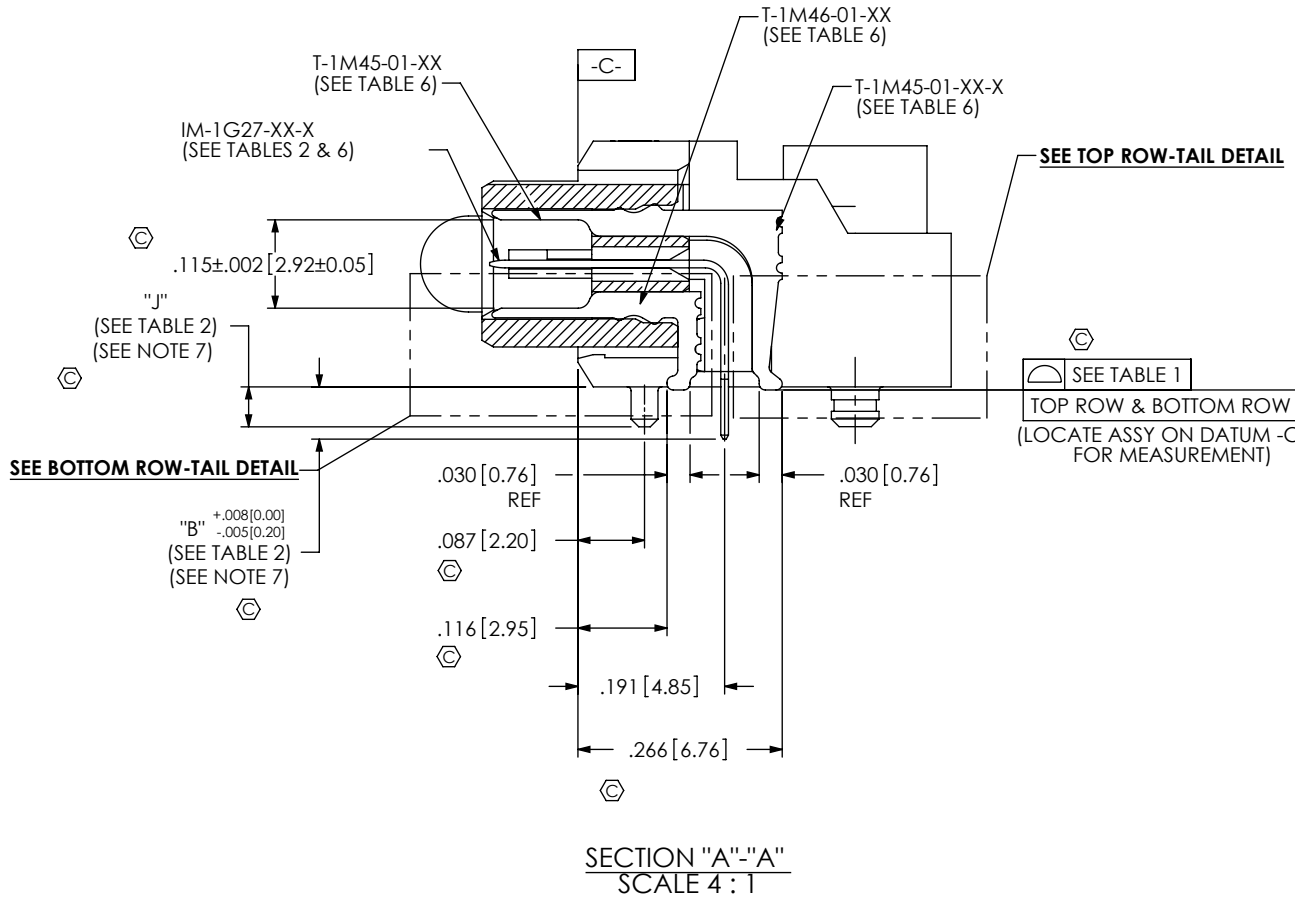


TABLE 1

| No of POSITIONS | COPLANARITY | STRAIGHTNESS ROW 1 | STRAIGHTNESS ROW 2 |
|-----------------|-------------|--------------------|--------------------|
| -026 THRU -052 | .004[.10] | .004[.10] | .004[.10] |
| -078 THRU -104 | .006[.15] | .006[.15] | .006[.15] |

TABLE 2

| LEAD STYLE | "A" | "B" | "C" | "J" | "K" | WT-28-XX-T | IM-1G27-XX-L | T-1R37-XX-T | WT-41-XX-X-T |
|------------|-------------|-------------|-------------|-------------|-------------|------------|--------------|-------------|--------------|
| -01 | .060 [1.52] | .068 [1.73] | .055 [1.40] | .052 [1.32] | .052 [1.32] | WT-28-01-T | IM-1G27-01-L | T-1R37-01-T | WT-41-01-X-T |
| -02 | .091 [2.31] | .099 [2.51] | .086 [2.18] | .083 [2.11] | .083 [2.11] | WT-28-02-T | IM-1G27-02-L | T-1R37-02-T | WT-41-02-X-T |

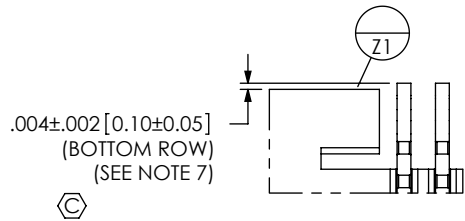
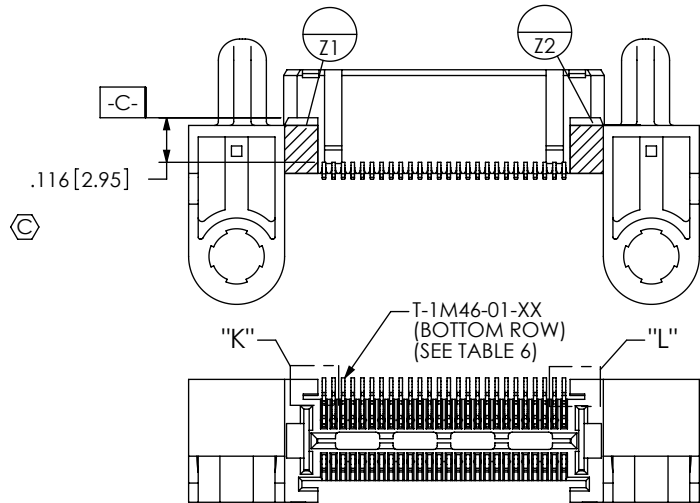
PROPRIETARY NOTE
THIS DOCUMENT CONTAINS INFORMATION CONFIDENTIAL AND PROPRIETARY TO SAMTEC, INC. AND SHALL NOT BE REPRODUCED OR TRANSFERRED TO OTHER DOCUMENTS OR DISCLOSED TO OTHERS OR USED FOR ANY PURPOSE OTHER THAN THAT WHICH IT WAS OBTAINED WITHOUT THE EXPRESSED WRITTEN CONSENT OF SAMTEC, INC.

DO NOT SCALE DRAWING
SHEET SCALE: 1:0.166667

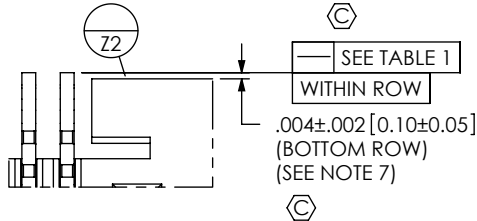
520 PARK EAST BLVD, NEW ALBANY, IN 47150
PHONE: 812-944-6733 FAX: 812-948-5047
e-Mail: info@SAMTEC.com code 55322

DESCRIPTION:
.635mm DUAL ROW RIGHT ANGLE PLUG ASSEMBLY
DWG. NO.
QMS-XXX-XX-XX-D-RA-XX-XXX-XX
BY: KNOWLDEN 8/25/2006 SHEET 2 OF 6

INSPECTION VIEW 1
(FILL BOTTOM ROW)

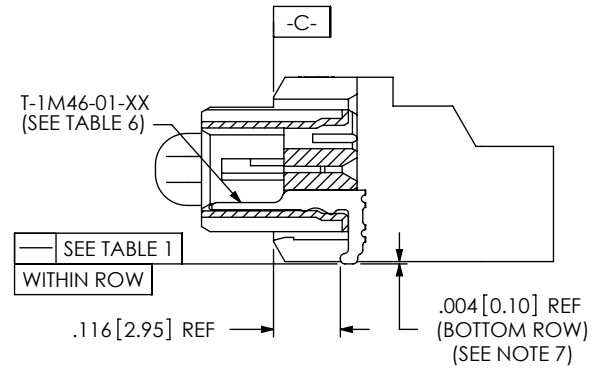
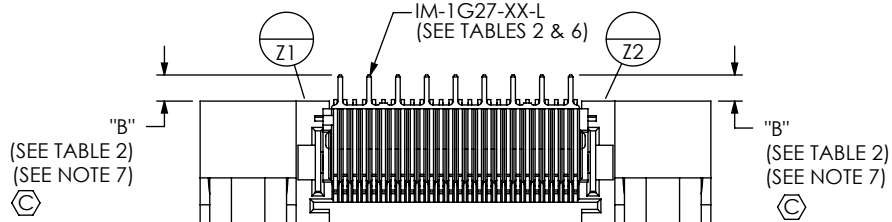
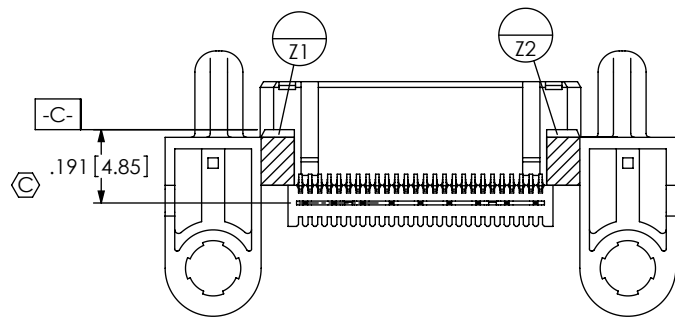


DETAIL "K"
SCALE 8 : 1

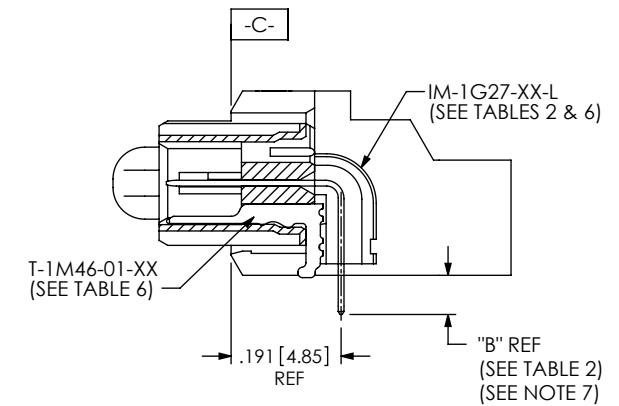


DETAIL "L"
SCALE 8 : 1

INSPECTION VIEW 2
(FILL IM-1G27)



IN-PROCESS 1
(FILL BOTTOM ROW)
(SEE INSPECTION VIEW 1 FOR ORIENTATION AND CPC'S)



IN-PROCESS 2
(FILL IM-1G27)
(SEE INSPECTION VIEW 2 FOR ORIENTATION AND CPC'S)

PROPRIETARY NOTE
THIS DOCUMENT CONTAINS INFORMATION CONFIDENTIAL AND PROPRIETARY TO SAMTEC, INC. AND SHALL NOT BE REPRODUCED OR TRANSFERRED TO OTHER DOCUMENTS OR DISCLOSED TO OTHERS OR USED FOR ANY PURPOSE OTHER THAN THAT WHICH IT WAS OBTAINED WITHOUT THE EXPRESSED WRITTEN CONSENT OF SAMTEC, INC.

DO NOT SCALE DRAWING

SHEET SCALE: 1:0.166667



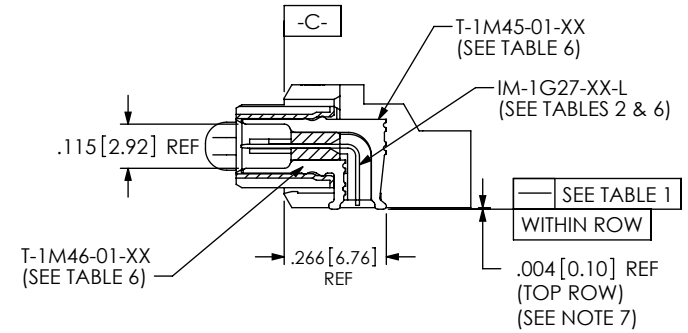
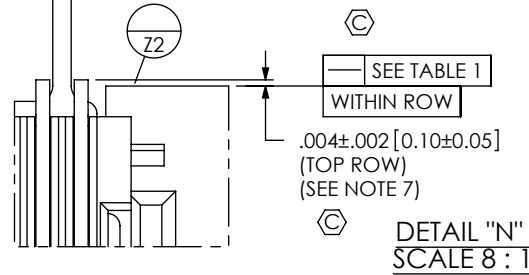
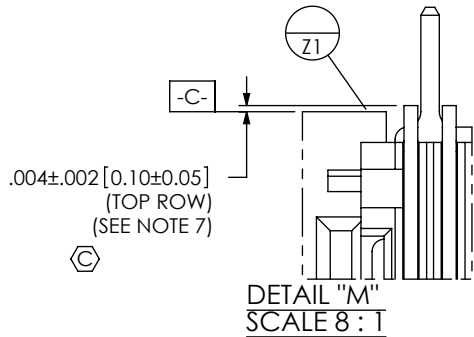
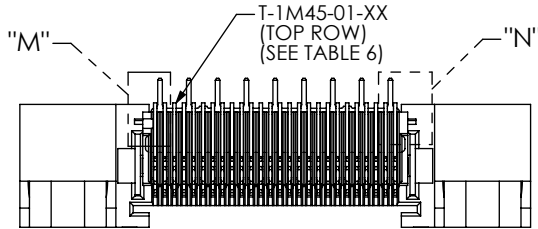
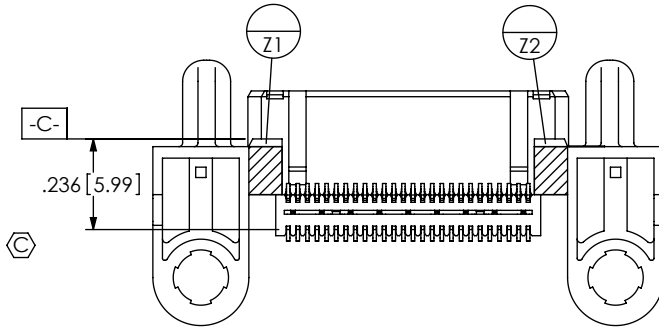
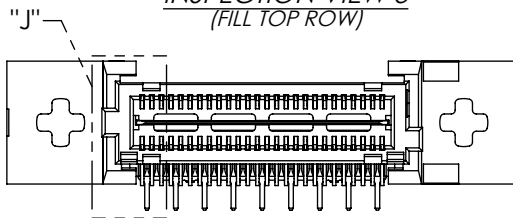
520 PARK EAST BLVD, NEW ALBANY, IN 47150
PHONE: 812-944-6733 FAX: 812-948-5047
e-Mail: info@SAMTEC.com code 55322

DESCRIPTION:
.635mm DUAL ROW RIGHT ANGLE PLUG ASSEMBLY

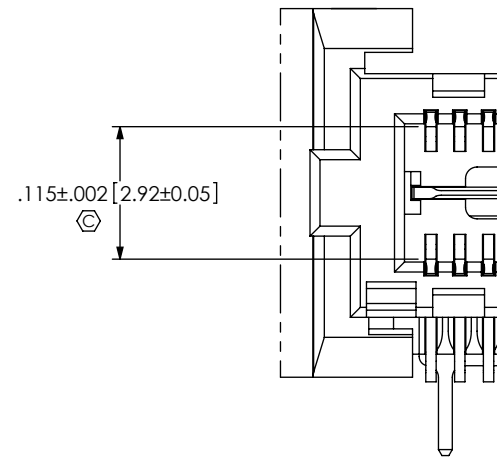
DWG. NO.
QMS-XXX-XX-XX-D-RA-XX-XXX-XX

BY: KNOWLDEN 8/25/2006 SHEET 3 OF 6

INSPECTION VIEW 3
(FILL TOP ROW)



IN-PROCESS 3
(FILL TOP ROW)
(SEE INSPECTION VIEW 3 FOR ORIENTATION AND CPC'S)



DETAIL "J"
SCALE 6:1

TABLE 6: PLATING SPECIFICATIONS

| | CONTACT | CONTACT | GROUND PLANE | PCX CONTACTS |
|-----|---|---|---|---|
| -SL | T-1M45-01-SL: 10µ" GOLD CONTACT, MATTE TIN TAIL | T-1M46-01-SL: 10µ" GOLD CONTACT, MATTE TIN TAIL | IM-1G27-XX-L: 10µ" GOLD CONTACT, MATTE TIN TAIL | T-1S69-XX-SL: 10µ" GOLD CONTACT, MATTE TIN TAIL |
| -S | T-1M45-01-S: 30µ" GOLD CONTACT, MATTE TIN TAIL | T-1M46-01-S: 30µ" GOLD CONTACT, MATTE TIN TAIL | IM-1G27-XX-L: 10µ" GOLD CONTACT, MATTE TIN TAIL | T-1S69-XX-S: 30µ" GOLD CONTACT, MATTE TIN TAIL |
| -L | T-1M45-01-L: 10µ" GOLD CONTACT, 3µ" GOLD TAIL | T-1M46-01-L: 10µ" GOLD CONTACT, 3µ" GOLD TAIL | IM-1G27-XX-L: 10µ" GOLD CONTACT, MATTE TIN TAIL | T-1S69-XX-SL: 10µ" GOLD CONTACT, MATTE TIN TAIL |
| -H | T-1M45-01-H: 30µ" GOLD CONTACT, 3µ" GOLD TAIL | T-1M46-01-H: 30µ" GOLD CONTACT, 3µ" GOLD TAIL | IM-1G27-XX-L: 10µ" GOLD CONTACT, MATTE TIN TAIL | T-1S69-XX-S: 30µ" GOLD CONTACT, MATTE TIN TAIL |

PROPRIETARY NOTE
THIS DOCUMENT CONTAINS INFORMATION CONFIDENTIAL AND PROPRIETARY TO SAMTEC, INC. AND SHALL NOT BE REPRODUCED OR TRANSFERRED TO OTHER DOCUMENTS OR DISCLOSED TO OTHERS OR USED FOR ANY PURPOSE OTHER THAN THAT WHICH IT WAS OBTAINED WITHOUT THE EXPRESSED WRITTEN CONSENT OF SAMTEC, INC.

DO NOT SCALE DRAWING
SHEET SCALE: 1:0.166667



520 PARK EAST BLVD, NEW ALBANY, IN 47150
PHONE: 812-944-6733 FAX: 812-948-5047
e-Mail: info@SAMTEC.com code 55322

DESCRIPTION:
.635mm DUAL ROW RIGHT ANGLE PLUG ASSEMBLY
DWG. NO.
QMS-XXX-XX-XX-D-RA-XX-XXX-XX
BY: KNOWLDEN 8/25/2006 SHEET 4 OF 6

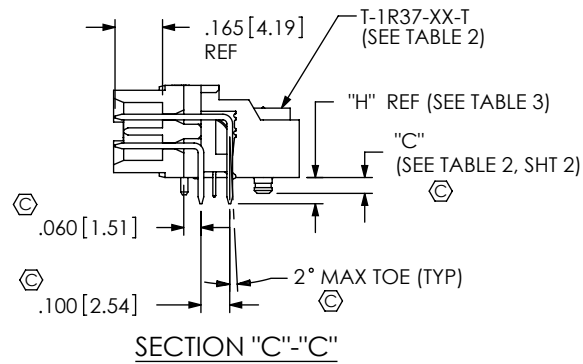
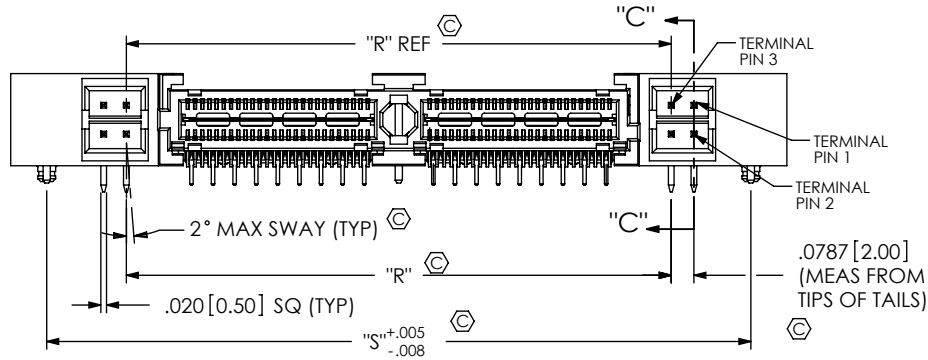
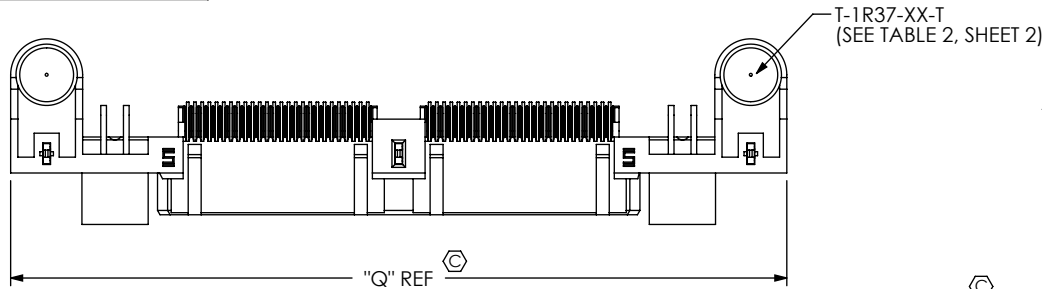
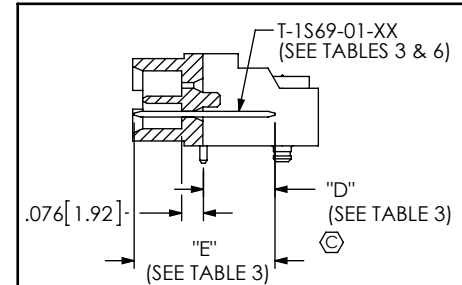
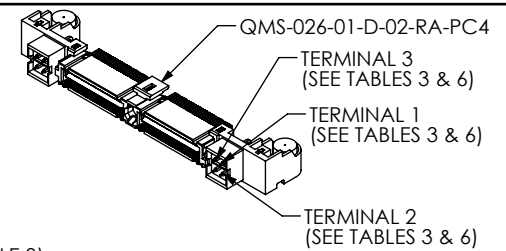
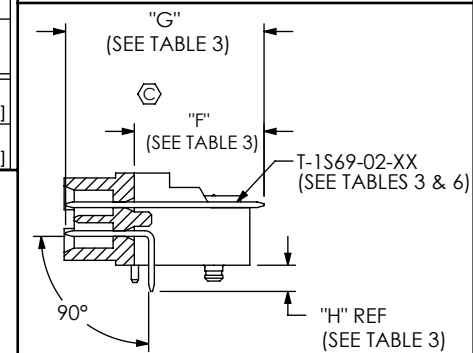


FIG 2
(QMS-052-XX-XX-D-RA-PC4 SHOWN)
(SAME AS FIG 1, DIFFERENT AS SHOWN)

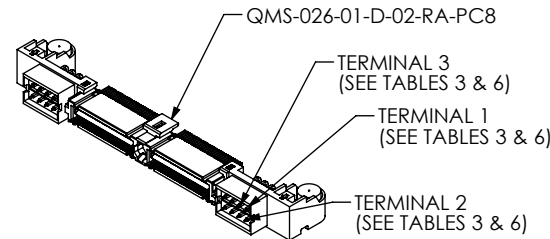
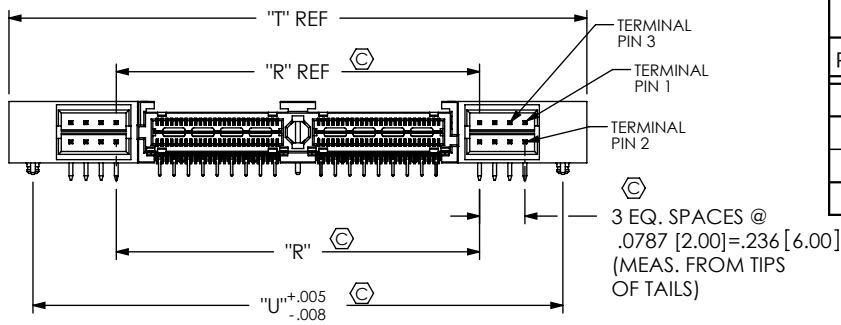
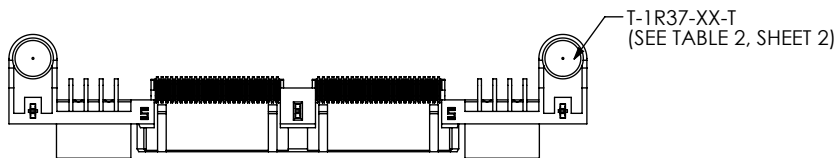
| LEAD STYLE | TERMINAL 1 | TERMINAL 2 | "D" | "E" | "F" | "G" | "H" |
|------------|--------------|--------------|----------------|-----------------|-----------------|-----------------|----------------|
| -01 | T-1S69-01-XX | T-1S69-02-XX | .248 [6.30] | .489 [12.42] | .450 [11.43] | .689 [17.50] | .091 [2.31] |
| -02 | T-1S69-03-XX | T-1S69-04-XX | .279 [7.09] | .520 [13.21] | .481 [12.22] | .720 [18.29] | .122 [3.10] |



IN-PROCESS 4



IN-PROCESS 5



| POSITION | "Q" | "R" | "S" | "T" | "U" | "V" | "W" |
|----------|----------------|---------------|----------------|----------------|----------------|---------------|---------------|
| -026 | 1.855 [47.12] | 1.052 [26.72] | 1.605 [40.77] | 2.170 [55.12] | 1.920 [48.77] | 1.050 [26.67] | 1.080 [27.43] |
| -052 | 2.695 [68.45] | 1.892 [48.06] | 2.445 [62.10] | 3.010 [76.45] | 2.760 [70.10] | 1.890 [48.01] | 1.920 [48.77] |
| -078 | 3.535 [89.79] | 2.732 [69.39] | 3.285 [83.44] | 3.850 [97.79] | 3.600 [91.44] | 2.730 [69.34] | 2.760 [70.10] |
| -104 | 4.375 [111.13] | 3.572 [90.73] | 4.125 [104.78] | 4.690 [119.13] | 4.440 [112.78] | 3.570 [90.68] | 3.600 [91.44] |

FIG 3
(QMS-052-XX-XX-D-RA-PC8 SHOWN)
(SAME AS FIG 2, DIFFERENT AS SHOWN)

PROPRIETARY NOTE
THIS DOCUMENT CONTAINS INFORMATION
CONFIDENTIAL AND PROPRIETARY TO
SAMTEC, INC. AND SHALL NOT BE REPRODUCED
OR TRANSFERRED TO OTHER DOCUMENTS OR
DISCLOSED TO OTHERS OR USED FOR ANY
PURPOSE OTHER THAN THAT WHICH IT WAS
OBTAINED WITHOUT THE EXPRESSED WRITTEN
CONSENT OF SAMTEC, INC.

DO NOT SCALE DRAWING

SHEET SCALE: 1.5:1



520 PARK EAST BLVD, NEW ALBANY, IN 47150
PHONE: 812-944-6733 FAX: 812-948-5047
e-Mail: info@SAMTEC.com code 55322

DESCRIPTION:
.635mm DUAL ROW RIGHT ANGLE PLUG ASSEMBLY

DWG. NO.
QMS-XXX-XX-XX-D-RA-XX-XXX-XX

BY: KNOWLDEN 8/25/2006 SHEET 5 OF 6

REVISION AA

T-1R37-XX-T
(SEE TABLE 2, SHEET 2)

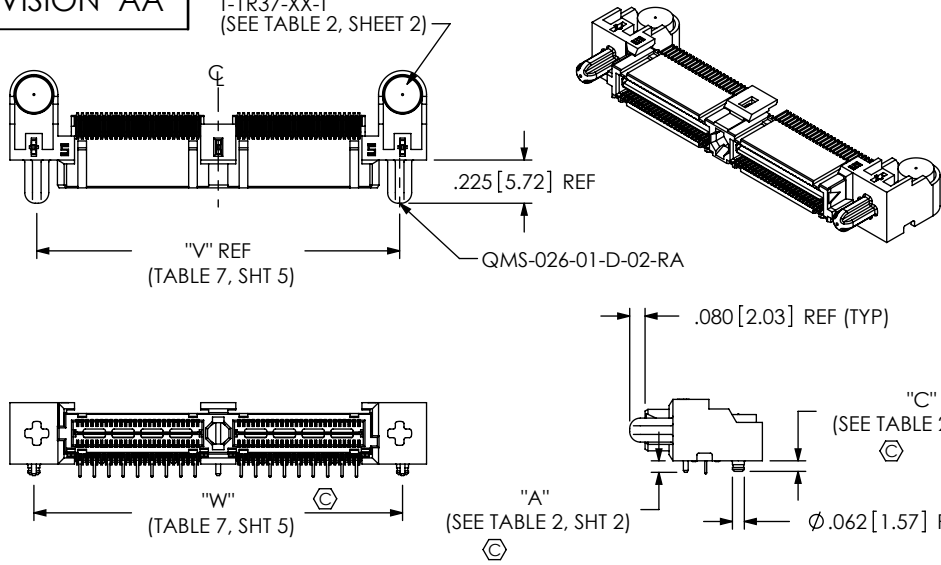
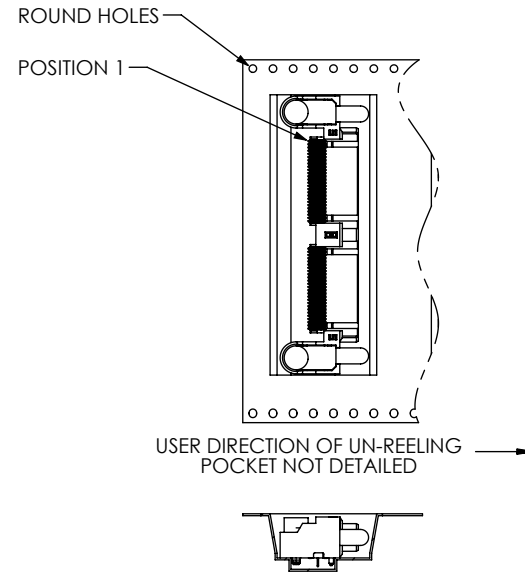
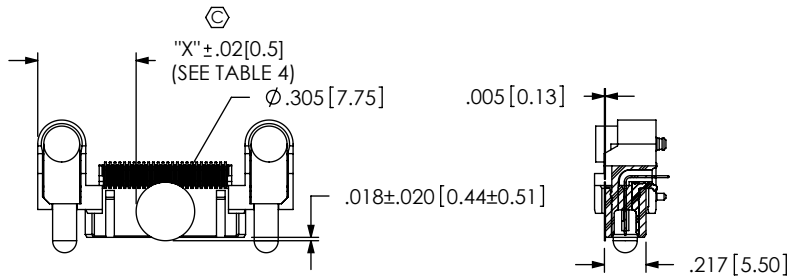


FIG 4
(QMS-052-01-XX-D-RA SHOWN)
(SAME AS FIG 1, DIFFERENT AS SHOWN)
AVAILABLE AS ASO ONLY

PACKAGING VIEW
-TR: TAPE & REEL OPTION
(QMS-052-01-XX-D-RA-MG-TR SHOWN)

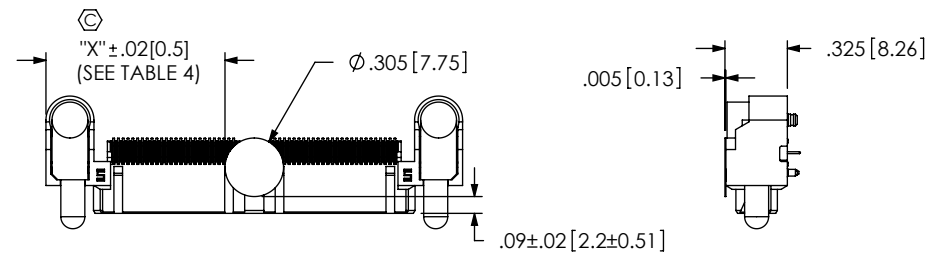


-K: KAPTON PAD
QMS-026-01-XX-D-RA-MG-K SHOWN
(USE K-850-650)
(FOR 1 AND 3 BANKS ONLY)



| TABLE 4 | | | |
|---------|----------------|---------------|---------------|
| | STANDARD & -MG | -PC4 | -PC8 |
| POS. | "X" | | |
| -026 | 0.513 [13.03] | 0.776 [19.71] | 0.934 [23.71] |
| -052 | 0.933 [23.70] | 1.196 [30.38] | 1.354 [34.38] |
| -078 | 1.353 [34.37] | 1.616 [41.05] | 1.774 [45.05] |
| -104 | 1.773 [45.03] | 2.036 [51.71] | 2.194 [55.71] |

-K: KAPTON PAD
QMS-052-01-XX-D-RA-MG-K SHOWN
(USE K-850-650)
(FOR 2 AND 4 BANKS ONLY)



PROPRIETARY NOTE
THIS DOCUMENT CONTAINS INFORMATION
CONFIDENTIAL AND PROPRIETARY TO
SAMTEC, INC. AND SHALL NOT BE REPRODUCED
OR TRANSFERRED TO OTHER DOCUMENTS OR
DISCLOSED TO OTHERS OR USED FOR ANY
PURPOSE OTHER THAN THAT WHICH IT WAS
OBTAINED WITHOUT THE EXPRESSED WRITTEN
CONSENT OF SAMTEC, INC.

DO NOT SCALE DRAWING
SHEET SCALE: 1:1



520 PARK EAST BLVD, NEW ALBANY, IN 47150
PHONE: 812-944-6733 FAX: 812-948-5047
e-Mail: info@SAMTEC.com code 55322

DESCRIPTION:
.635mm DUAL ROW RIGHT ANGLE PLUG ASSEMBLY
DWG. NO.
QMS-XXX-XX-XX-D-RA-XX-XXX-XX
BY: KNOWLDEN 8/25/2006 SHEET 6 OF 6