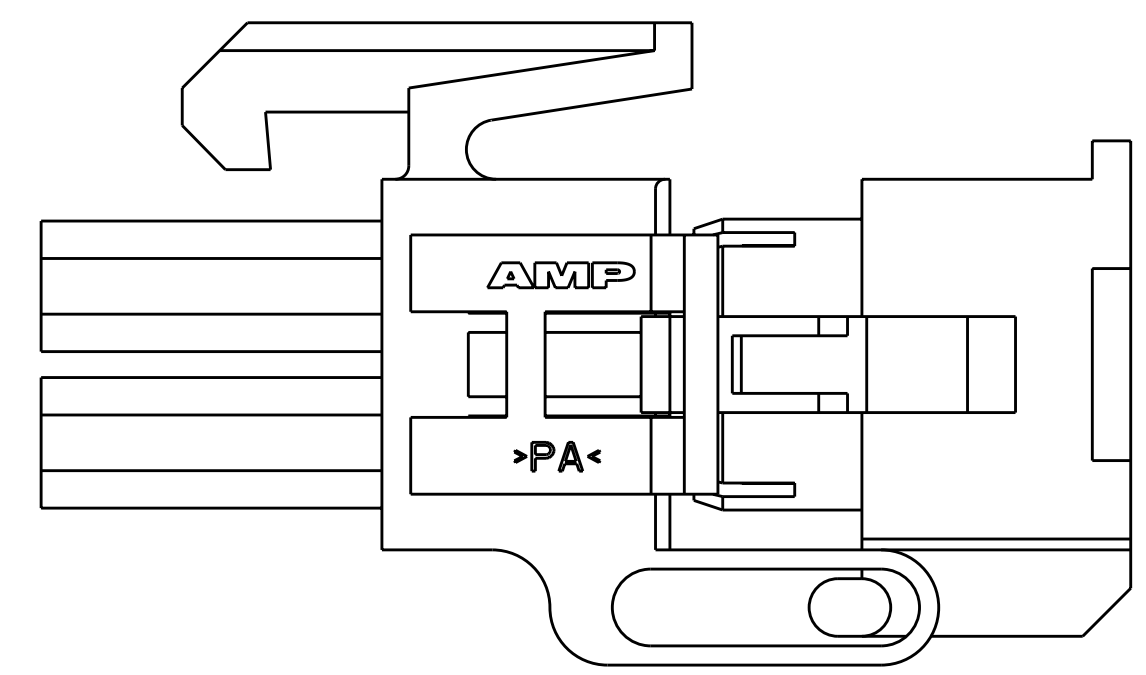
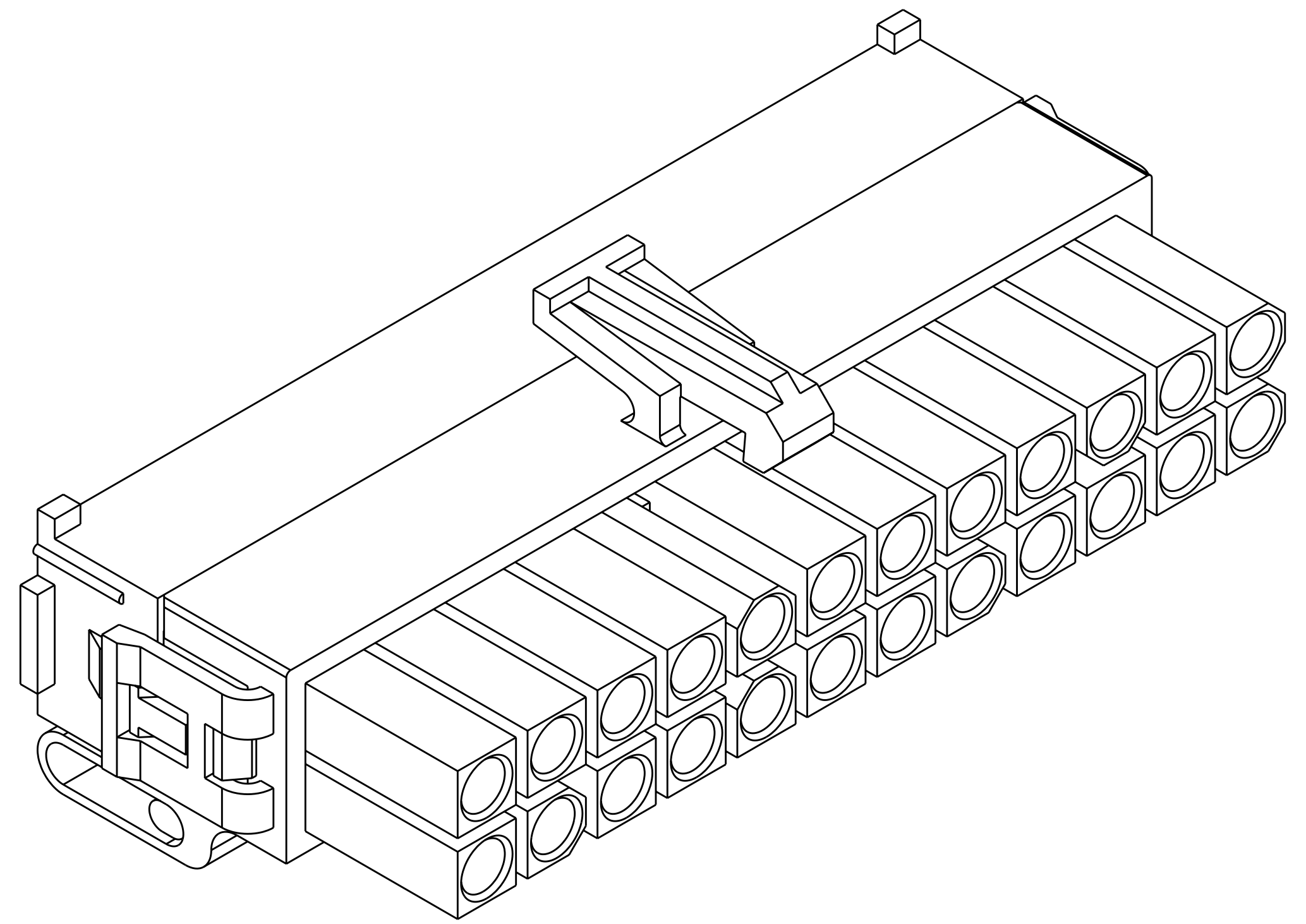
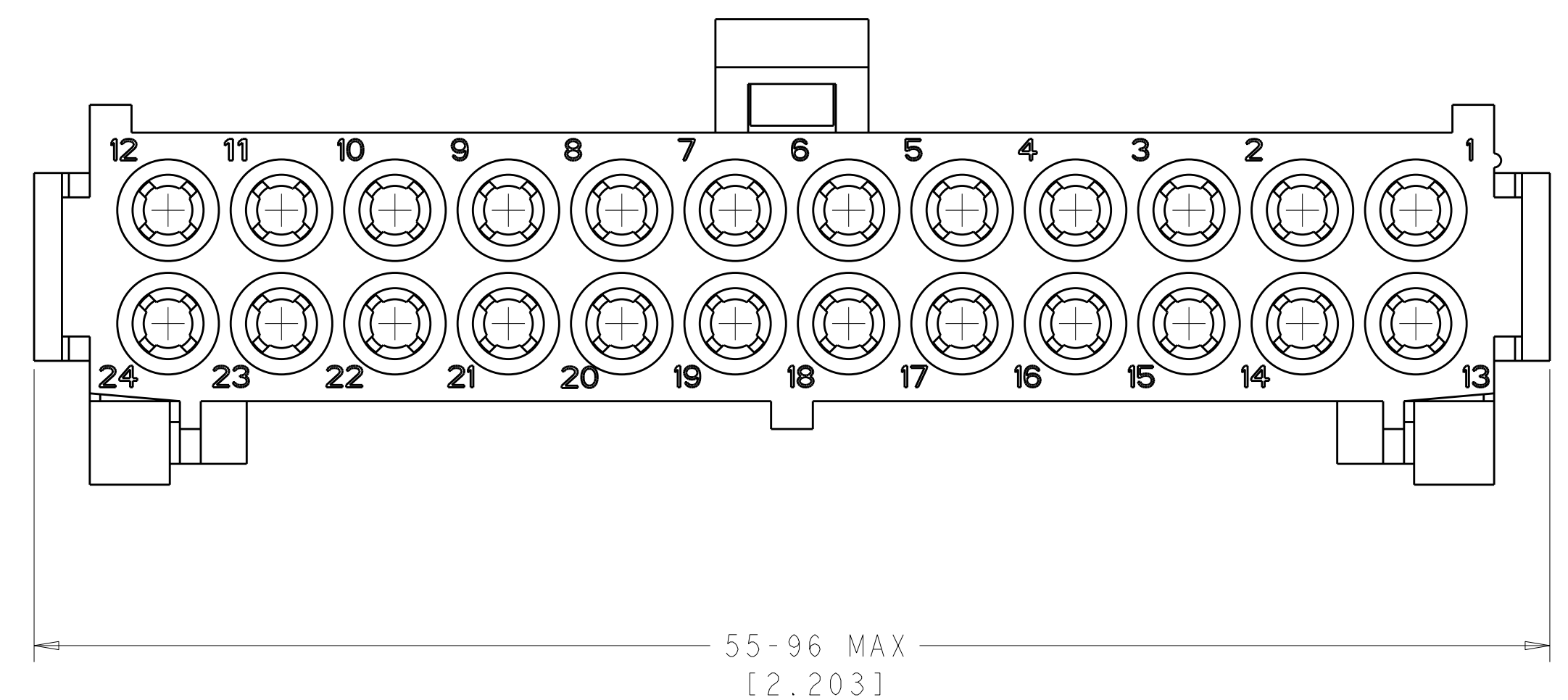
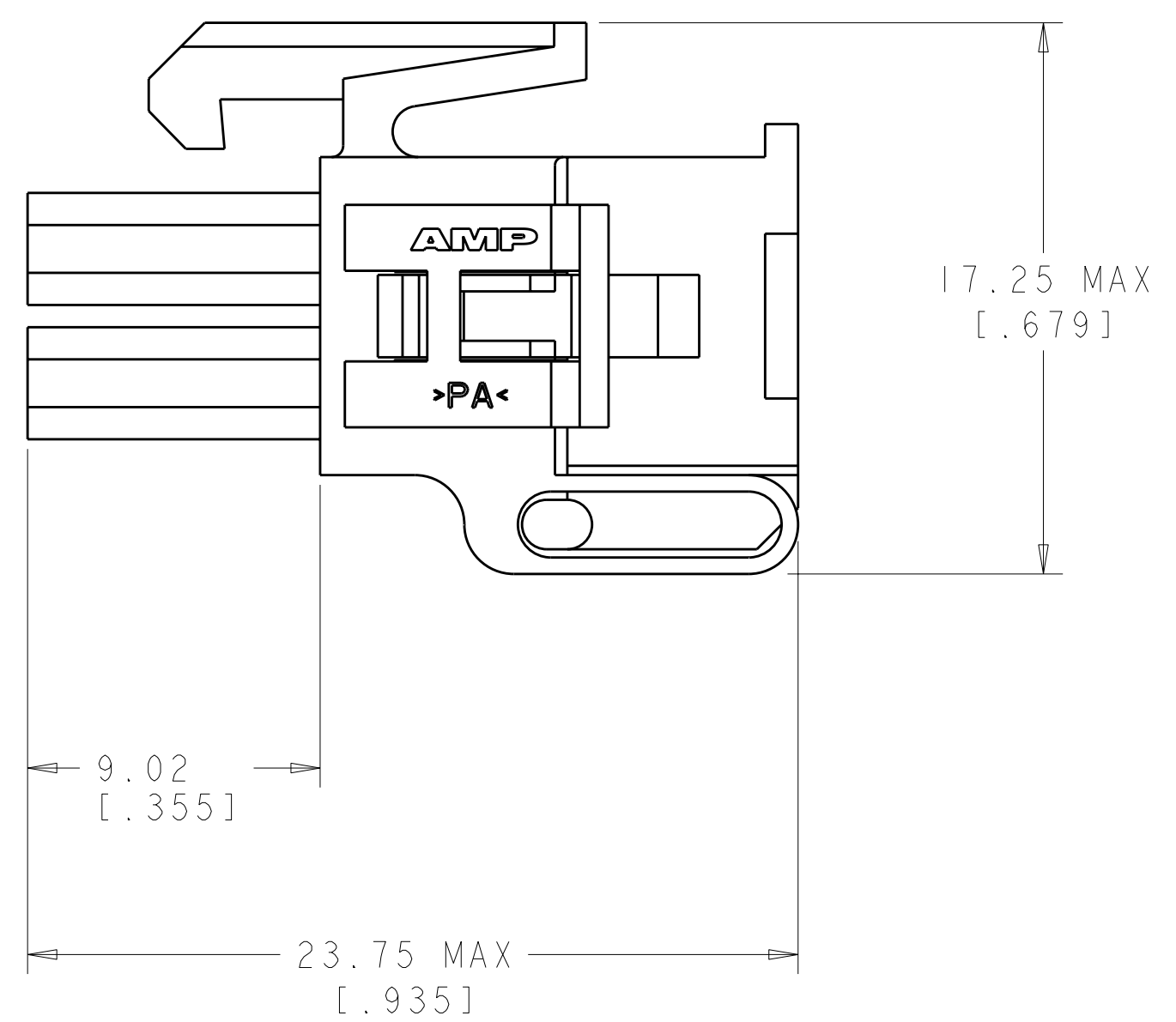
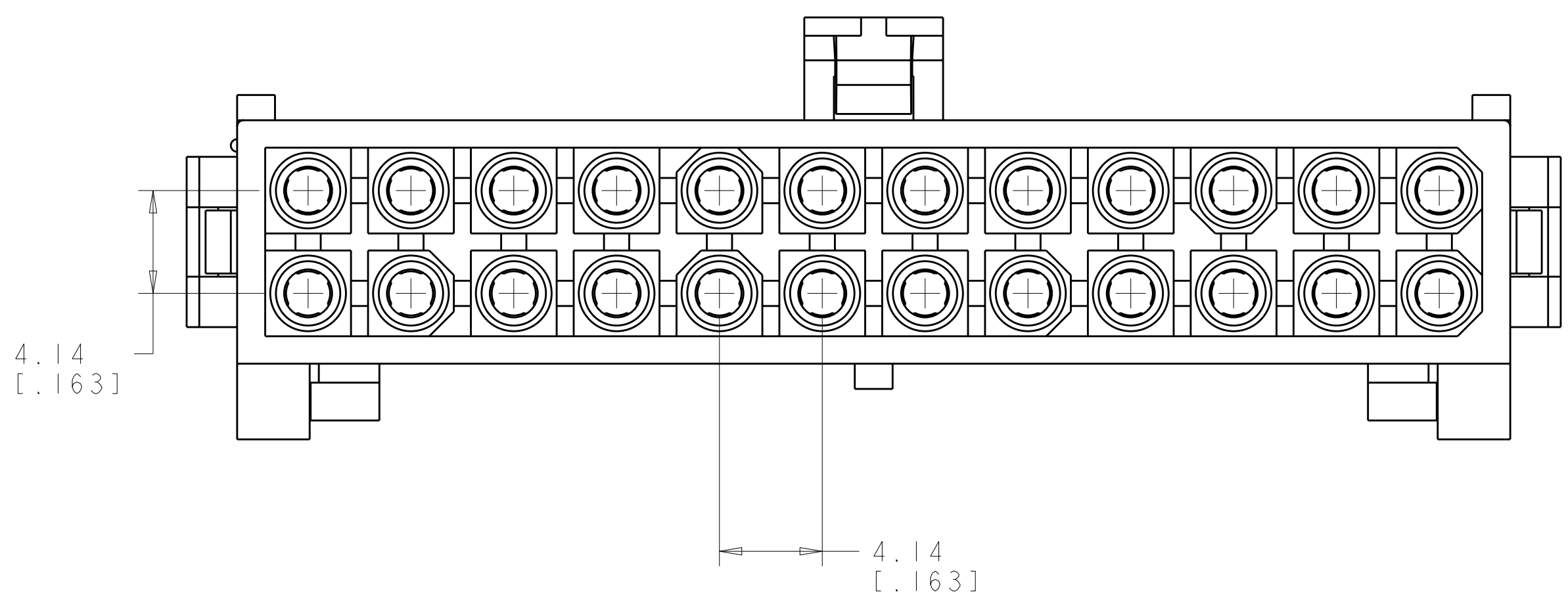


LOC	DIST	REVISIONS					
CM	00	P	LTB	DESCRIPTION	DATE	DWN	APVD
		C1		REVISED PER ECR 10-025344	23FEB11	JR	TM



PRE-STAGED CONDITION



0.385 IN ³	794214-1
VOLUME	PART NUMBER

<small>THIS DRAWING IS UNPUBLISHED. RELEASED FOR PUBLICATION BY TYCO ELECTRONICS CORPORATION. ALL RIGHTS RESERVED. THIS IS SUBJECT TO CHANGE WITHOUT NOTICE AND WITHOUT OBLIGATION. SHOULD BE CONTACTED FOR THE LATEST REVISION.</small>		DWN: R. WHITAKER 01AUG2007 CHK: C. JONES 01AUG2007 APVD: C. JONES 01AUG2007	Tyco Electronics Harrisburg, PA 17105-3608
DIMENSIONS: mm [INCHES] TOLERANCES UNLESS OTHERWISE SPECIFIED: 0 PLC ± 1 PLC ± 2 PLC ±0.13 (1.005) 3 PLC ± 4 PLC ± ANGLES ±40°30'		NAME: PLUG, DUAL ROW, 24 CIRCUIT, MINI UNIVERSAL MATE-N-LOK(TM) 2 PRODUCT SPEC: APPLICATION SPEC: SIZE: CAGE CODE: DRAWING NO: A100779C-794214 WEIGHT: FINISH:	RESTRICTED TO:
MATERIAL: NYLON UL 94V-0, NATURAL		CUSTOMER DRAWING	SCALE: 5:1 SHEET 1 OF 1 REV: C1

