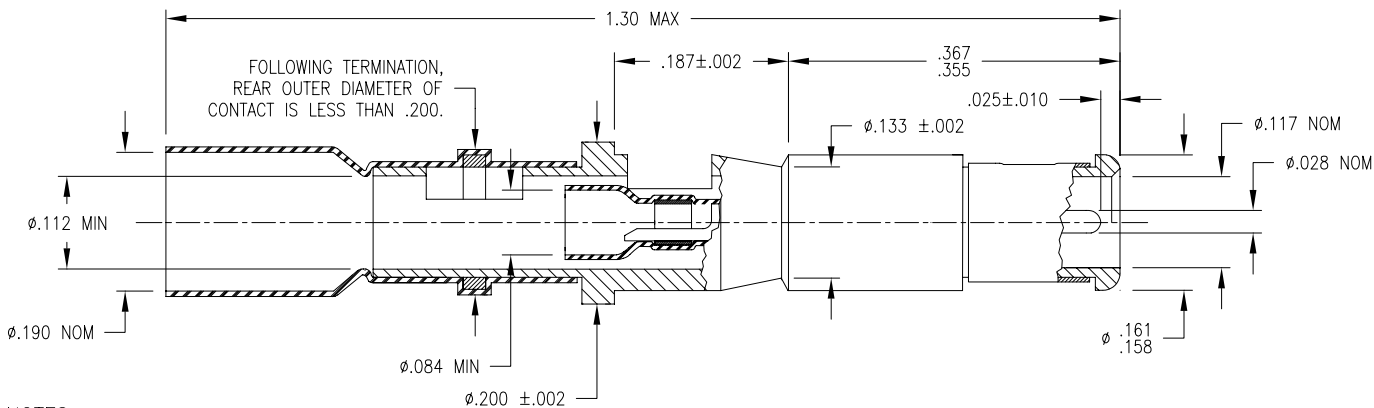


TYCO ELECTRONICS RESERVES THE RIGHT TO AMEND THIS DRAWING AT ANY TIME. USERS SHOULD EVALUATE THE SUITABILITY OF THE PRODUCT FOR THEIR APPLICATION.

REVISIONS

| LTR | DESCRIPTION              | DATE     | APPROVED |
|-----|--------------------------|----------|----------|
| G   | REVISED PER ECN# T-8548  | ---      | ---      |
| H   | REVISED PER DCR# T-22014 | 12/17/98 | M. HIGGY |
| J   | REVISED PER DCR D030520  | 2/24/06  | M. HIGGY |



- NOTES:
1. THIS CONTACT IS DESIGNED FOR USE IN MIL-C-26482, SERIES I CONNECTORS.
  2. THIS CONTACT IS DESIGNED TO ACCOMODATE COAXIAL CABLES LISTED IN THE TABLE.
  3. MATING CONTACT (FOR SIMILAR CABLES): D-602-17.
  4. FOR TERMINATION PROCEDURE, SEE RAYCHEM SPECIFICATION ES 61161.

| RG CABLE NO. | RAYCHEM CABLE NO. |
|--------------|-------------------|
| RG 174 /U    | 5024A 1X1X        |
| RG 179A /U   | 5026A 1X1X        |
| RG 316       | 5028A 1X1X        |
|              | 5030A 1X1X        |
|              | 7528A 1X1X        |
|              | 7530A 1X1X        |
|              | 9532A 1X1X        |

**CONTACT CHARACTERISTICS:**

MATERIALS:

1. OUTER CONTACT: BRASS PER ASTM B16/B16M.  
PLATING: GOLD PER ASTM B488 (MIL-G-45204), NICKEL PER AMS QQ-N-290, OVER COPPER FLASH.
2. INNER CONTACT: BRASS PER ASTM B16/B16M.  
PLATING: GOLD PER ASTM B488 (MIL-G-45204), NICKEL PER AMS QQ-N-290, OVER COPPER FLASH.
3. SPRING CLIP: BERYLLIUM COPPER PER ASTM B194.  
PLATING: NICKEL PER AMS QQ-N-290.
4. DIELECTRIC: ETFE FLUOROPOLYMER PER ASTM D3159.
5. SOLDER: SN63 PER ANSI/J-STD-006.  
FLUX: ROL1 PER ANSI/J-STD-004.
6. CABLE SUPPORT TUBING: HEAT-SHRINKABLE, RADIATION CROSS-LINKED POLYVINYLIDENE FLUORIDE.

PERFORMANCE:

- TEMPERATURE RATING: 125°C MAXIMUM  
CURRENT RATING: 3 AMPS  
VOLTAGE RATING: DIELECTRIC WITHSTANDING VOLTAGE: 900 VOLTS RMS, MAXIMUM.  
CONTACT RESISTANCE: 5 MILLIOHMS MAXIMUM  
INSULATION RESISTANCE: 5,000 MEGAOHMS MINIMUM.  
ENGAGEMENT FORCE: OUTER SOCKET: 20.0 OZ. MAXIMUM  
SEPARATION FORCE: OUTER SOCKET: 3.0 OZ. MINIMUM

If this document is printed it becomes uncontrolled. Check for the latest revision

© 2006 Tyco Electronics Corporation. All rights reserved.

**SPECIFICATION CONTROL DRAWING**

|   |                        |          |          |  |  |                 |
|---|------------------------|----------|----------|--|--|-----------------|
| UNLESS OTHERWISE SPECIFIED DIMENSIONS ARE IN INCHES. METRIC DIMENSIONS ARE IN BRACKETS. | DRAWN                  | MFORONDA | 10.15.03 | <b>tyco</b><br><b>Electronics</b>          | Tyco Electronics Corporation<br>300 Constitution Drive<br>Menlo Park, CA. 94025 U.S.A. | <b>Raychem</b>  |
|   | CHECKED                |          |          |  |  |                 |
| DECIMALS<br>.XXX ± _____<br>.XX ± _____<br>ANGLES _____                                 | APPROVED               | M.HIGGY  | 10.15.03 | TITLE<br>COAXIAL CONTACT<br>SIZE 12 SOCKET |  |                 |
|   | APPROVED               |          |          |  |  |                 |
|   | CAD NAME: D030520.dwg  |          |          |  | SIZE   | CODE IDENT. NO. |
| WEIGHT<br>---   | THIRD ANGLE PROJECTION |          |          | A  | 06090  | D-602-16        |
| DO NOT SCALE THIS DRAWING   |                        |          |          |  |  | SHEET 1 OF 1    |