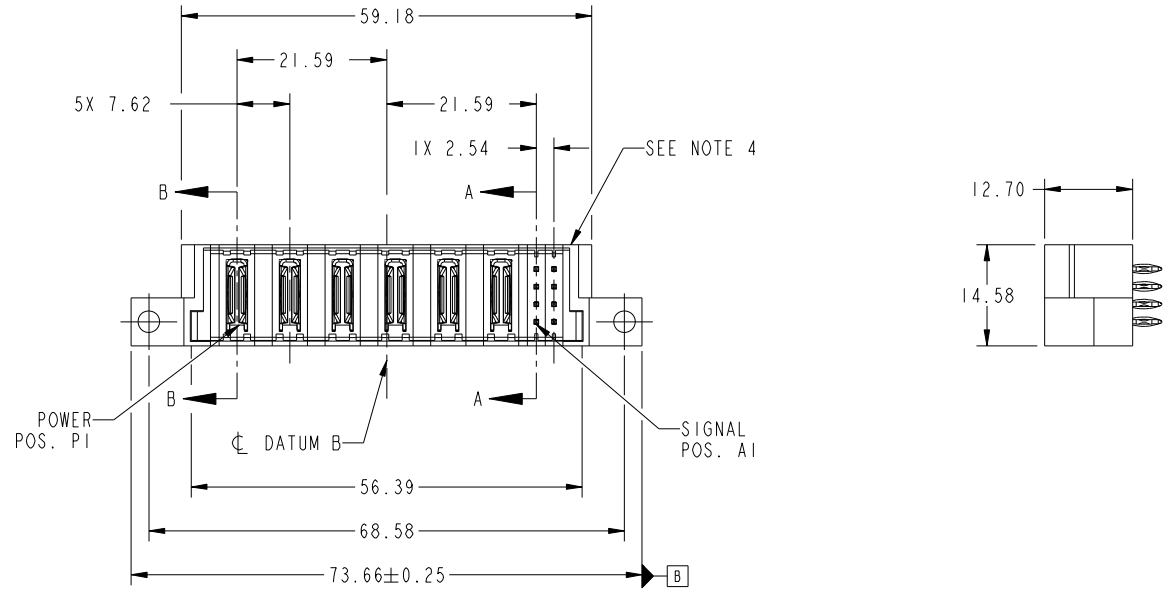


Tous droits strictement réservés. Reproduction ou communication a des tiers interdite sous quelque forme que ce soit sans autorisation écrite du propriétaire. Propriete de c FCI. Droits de reproduction FCI.



All rights strictly reserved. Reproduction or issue to third parties in any form whatever is not permitted without written authority from the proprietor. Property of FCI. Copyright FCI.

PRODUCT NO. 51963-056-- NOTE ③	ROWS D C B A	POWER						SIG		E1	E2
		P1	P2	P3	P4	P5	P6	1	2		
		PC	PC	PC	PC	PC	PC	GG	GG		



CODE	DIM "M" MATING LENGTH	CONTACT TYPE
PC	[N/A]	POWER
G	[6.86]	SIGNAL

mat'l code				tolerances unless otherwise specified		CUSTOMER		FCI				
ltr	ecn no.	dr	date	linear	0.X ±0.5	projection		www.fciconnect.com				
A	DG10-0158	HW	4/29/10		0.XX ±0.25			title		6P + 8S		
					0.XXX ±0.1			VERTICAL PRESS FIT HEADER				
				angles	0° ±2°		scale	product family		code		
				dr	HENRY WANG			4/07/10	PwrBlade		213	
				enrg	HENRY WANG			4/07/10	size		sheet	
				chr	PM ZHENG			4/07/10	dwg no		1 of 4	
				appd	JOSEPH HSIA	4/07/10	A		51963-056			
sheet index	revision sheet	A	A	A	A			cage code		4		
		1	2	3	4			22526				

Pro/E

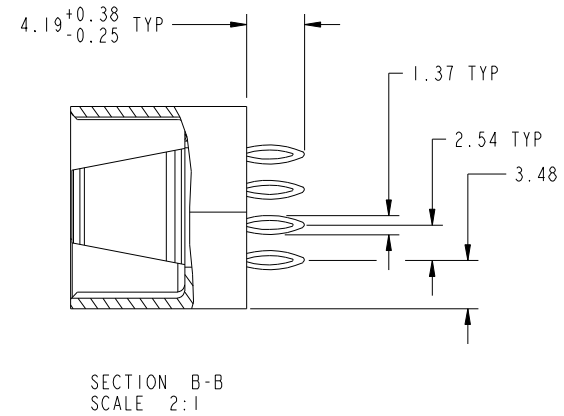
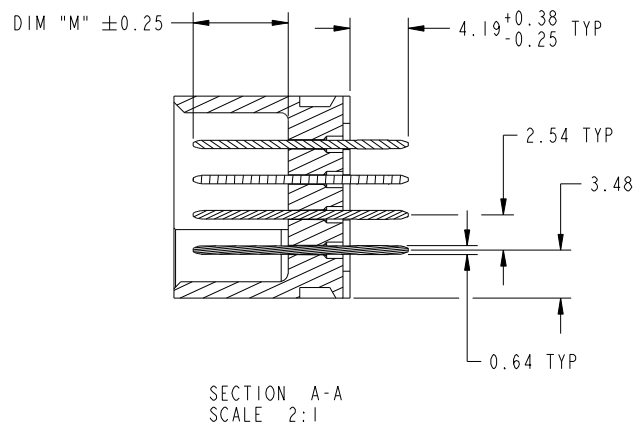
cage code 22526

Tous droits strictement reserves. Reproduction ou communication a des tiers interdite sous quelque forme que ce soit sans autorisation ecrite du proprietaire. Propriete de c FCI. Droits de reproduction FCI.



All rights strictly reserved. Reproduction or issue to third parties in any form whatever is not permitted without written authority from the proprietor. Property of FCI. Copyright FCI.

PRODUCT NUMBER
51963-056--
NOTE 3



mat'l code				tolerances unless otherwise specified		CUSTOMER		FCI	
ltr	ecn no.	dr	date	linear	0.X ±0.5	COPY		www.fciconnect.com	
A				linear	0.XX ±0.25	projection		title 6P + 8S VERTICAL PRESS FIT HEADER	
				angles	0.XXX ±0.1				
				dr	0° ±2°			product family PwrBlade code 213	
				enr	HENRY WANG 4/07/10	scale		size dwg no 51963-056 sheet 2 of 4	
				chr	HENRY WANG 4/07/10	1:1			
				appd	PM ZHENG 4/07/10				
				appd	JOSEPH HSIA 4/07/10				
sheet index		revision sheet							

cage code 22526

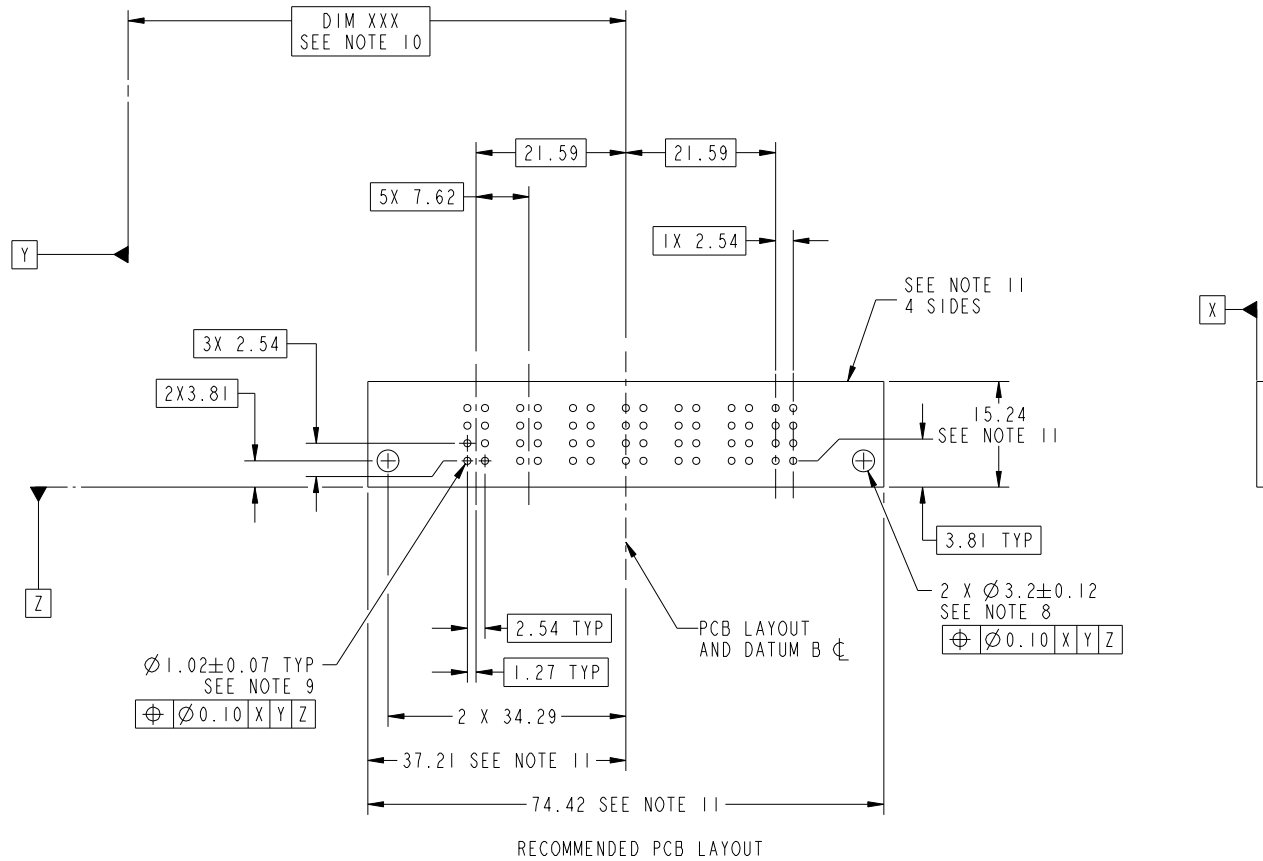
Pro/E

Tous droits strictement réservés. Reproduction ou communication a des tiers interdite sous quelque forme que ce soit sans autorisation écrite du propriétaire. Propriete de c FCI. Droits de reproduction FCI.

All rights strictly reserved. Reproduction or issue to third parties in any form whatever is not permitted without written authority from the proprietor. Property of FCI. Copyright FCI.



PRODUCT NUMBER
51963-056__
NOTE 3



mat'l code				tolerances unless otherwise specified		CUSTOMER		www.fciconnect.com		
ltr	ecn no.	dr	date	linear	0.X ± 0.5	COPY		title 6P + 8S VERTICAL PRESS FIT HEADER		
A					0.XX ± 0.25		product family		PwrBlade	code
					0.XXX ± 0.1		scale		size	dwg no
				angles	0° ± 2°	1:1	A	51963-056	sheet	
				dr	HENRY WANG	4/07/10			3 of 4	
				enr	HENRY WANG	4/07/10				
				chr	PM ZHENG	4/07/10				
				appd	JOSEPH HSIA	4/07/10				
sheet index	revision sheet									

cage code 22526

Pro/E

Tous droits strictement reserves. Reproduction ou communication a des tiers interdite sous quelque forme que ce soit sans autorisation écrite du propriétaire. Propriete de c FCI. Droits de reproduction FCI.



All rights strictly reserved. Reproduction or issue to third parties in any form whatever is not permitted without written authority from the proprietor. Property of FCI. Copyright FCI.

PRODUCT NUMBER
51963-056--
NOTE 3

NOTES:

1. DIMENSIONS AND TOLERANCES ARE IN ACCORDANCE WITH ASME Y14.5M, 1994 UNLESS OTHERWISE SPECIFIED.

CONNECTOR NOTES:

- 2 HOUSING MATERIAL: UL 94 V-0 GLASS FILLED HIGH-TEMP THERMOPLASTIC
POWER CONTACT MATERIAL: COPPER ALLOY
SIGNAL PIN MATERIAL: COPPER ALLOY
- 3. PLATING:
SEE ITEM 3 & 4 IN PRINT 10064183 FOR PLATING SPEC OF 51963-056; 51963-056LF PRESPECTIVELY
- 4 MANUFACTURER'S NAME, DATE CODE AND OPTIONAL P/N TO APPEAR ON THIS SURFACE. THE P/N CAN BE OMITTED IF THERE IS NOT ENOUGH SPACE ON THIS SURFACE.
- 5. PRODUCT SPECIFICATION GS-12-149.
APPLICATION SPECIFICATION BUS-20-067.
- 6. PACKAGED IN TRAYS.

PCB NOTES:

- 7. ALL HOLE DIAMETERS ARE FINISHED HOLE SIZE.
- 8. MOUNTING HOLES, WHERE APPLICABLE, ARE UNPLATED.
- 9 $\varnothing 1.151 \pm 0.025$ DRILLED HOLES PLATED WITH
0.008 MIN SnPb OR Sn OVER .001 [0.03]
TO 0.08 Cu PLATING TO ACHIEVE
 $\varnothing 1.02 \pm 0.07$ HOLE.
- 10 "DIM XXX" TO BE DETERMINED BY THE CUSTOMER.
- 11 CONNECTOR KEEP-OUT ZONE.
- 12. FOR PRESS FIT APPLICATION USE FCI CAM TOOL 430169-XXX.

mat'l code				tolerances unless otherwise specified		CUSTOMER		FCI	
ltr	ecn no.	dr	date	linear	0.X ± 0.5	COPY		www.fciconnect.com	
A					0.XX ± 0.25	projection	title 6P + 8S		
				angles	0.XXX ± 0.1		VERTICAL PRESS FIT HEADER		
				dr	0° ± 2°	MIM		product family	PwrBlade
				enr	HENRY WANG 4/07/10	scale		size	code
				chr	HENRY WANG 4/07/10	1:1		dwg no	213
				appd	PM ZHENG 4/07/10	A		51963-056	sheet
					JOSEPH HSIA 4/07/10			4 of 4	
sheet index	revision sheet								

cage code 22526

Pro/E