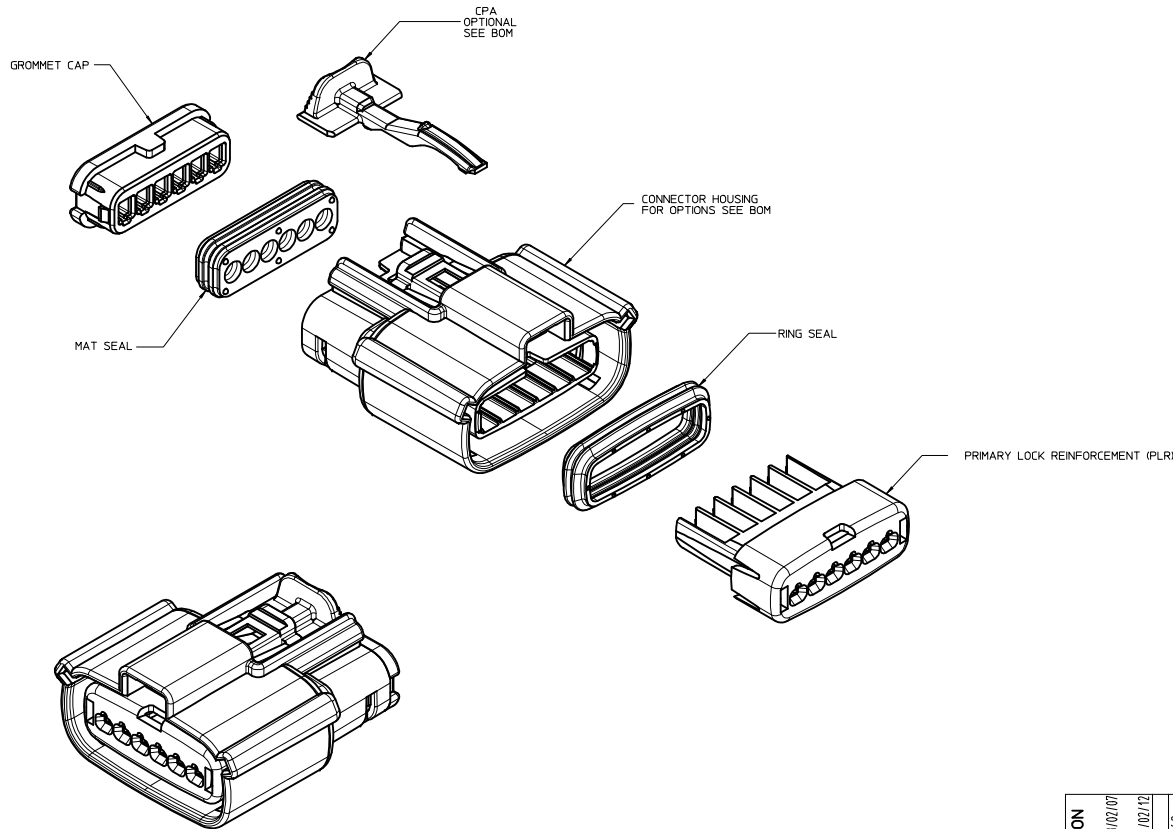


TABLE OF CONTENTS	
SHEET NO.	SHEET DESCRIPTION
1	NOTES
2	KEY CONFIGURATIONS
3	RECEPTACLE SEALED ASSEMBLY
4	BOM



NOTES: VALID UNLESS OTHERWISE SPECIFIED

1. GENERAL:
 - a. APPLICATION SPECIFICATION SEE: AS-33472-100
 -CONTAINS: PRODUCT INTRODUCTION, PRODUCT SUMMARY, CONNECTOR ASSEMBLY, PACKAGING INFORMATION, CONNECTOR MATING, SERVICE INSTRUCTIONS, ELECTRICAL CONTINUITY CHECKING, CRIMPING, AND TROUBLESHOOTING.
 -DESIGNED TO MATE WITH DEVICE CONNECTION AS SPECIFIED IN DRAWING EWCAP 150-S-006-1-Z03, AVAILABLE AT <http://ewcap.uscorp.com>
 -DESIGNED TO MATE WITH BLADE SEALED ASSEMBLY AS SPECIFIED IN DRAWING SD-33481-061
 -FOR 15mm RECEPTACLE TERMINALS TO BE USED WITH THIS ASSEMBLY, SEE MOLEX DRAWING SD-33012-002.
 -SYSTEM TO BE USED WITH WIRE WITHIN DIAMETER RANGE OF 1.2 mm TO 2.69 mm.
 -ASSEMBLY SHIPPED WITH PLR AND CPA IN PRE-LOCK POSITION (SEE SECTION 2-2 PRE-LOCK).
 -IN THE EVENT THAT THE PLR IS FOUND IN THE SEATED (FINAL LOCK) POSITION, REFER TO MOLEX SPECIFICATION PS-34646-001, AVAILABLE AT www.molex.com <http://www.molex.com>.
 -ASSEMBLY CONFORMS TO SAE/J593-2 REV.4 WITH THE FOLLOWING EXCEPTIONS: ENGAGEMENT FORCE TO MOVE CPA FROM PRE-LOCK TO FINAL LOCK POSITION WHEN UNMATED: 40N MIN.
 DISENGAGEMENT FORCE TO MOVE CPA FROM FINAL LOCK TO PRE-LOCK POSITION: 3N MIN. 40N MAX
 TERMINAL INSERTION FORCE FOR WIRE DIAMETER ABOVE 2.5mm NOT EXCEEDING 2.69mm SHALL NOT EXCEED 40 NEWTONS.
 - b. PRODUCT SPECIFICATION SEE: PS-33471-000
 CONTAINS: PRODUCT INTRODUCTION, PRODUCT SUMMARY, AND PRODUCT VALIDATION.
 - c. PACKAGING SPECIFICATION PER MOLEX DRAWING: PK-31300-903
 - d. PARTS MUST BE IN COMPLIANCE TO MOLEX CHEMICAL SUBSTANCES FOR PRODUCTS AND PACKAGING SPECIFICATION: ES-40000-5016
 - e. DATA MUST BE SUBMITTED UNDER THE MOLEX PART NUMBER TO IMDS (COMPANY ID=12255)
2. DESIGN - MATERIALS:
 - a. CONNECTOR HOUSING, GROMMET CAP, PLR: SPS/NYLON BLEND 20% GLASS FILLED
 - b. CPA: PBT 20% GLASS FILLED
 - c. MAT SEAL AND RING SEAL: INHERENTLY LUBRICATED SILICONE
3. DESIGN - GEOMETRY:
 - a. THIS IS A 100% CAD GENERATED PART. THE CAD MATHEMATICAL DATA IS THE MASTER FOR THIS PART. FOR DIMENSIONAL OR ANY INFORMATION NOT SHOWN ON THIS DRAWING, ANALYZE THE CAD MODEL.
 - b. GEOMETRIC DIMENSIONS AND TOLERANCES PER ASME Y14.5M - 1994.
 - c. EDGES AND UNDIMENSIONED DETAILS PER ISO13715
 - d. CORNERS SHOWN AS SHARP TO BE R 0.2 MAX.
 - e. LETTERING SHALL BE 0.15 MAX RAISED IN 0.25 MAX RECESS PAD. THIS INCLUDES RECYCLING CODE, CAVITY ID, VENDOR IDENTIFICATION, AND CUSTOMER MATERIAL NUMBER.
 - f. VISUAL DEFECTS SHALL MEET COSMETIC STANDARD PS-45499-002 (Class B)
 - g. LASER MARKING: TBD

INSPECTION NUMBER LOG
 LAST NUMBER USED: 5
 ADDED:
 REMOVED:

SCALE	DESIGN UNITS	THIRD ANGLE PROJECTION
3:1	METRIC	
TITLE		
MX150 1X6 RECEPTACLE SEALED ASSEMBLY MAT SEAL		
molex		
MATERIAL NO.	DOCUMENT NO.	SHEET NO.
SEE BOM	SD-33471-061	1 OF 4

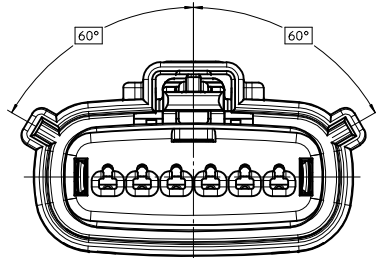
ENTER DESCRIPTION
 DEC NO: UAU2013-1255
 DRAWN BY: S2
 CHKD:
 APPR: IKOSHY
 2013/02/12
 REV

QUALITY SYMBOLS	GENERAL TOLERANCES (UNLESS SPECIFIED)	DIMENSION STYLE
$\nabla=0$	mm INCH	MM ONLY
$\nabla=0$	4 PLACES ± --- ± ---	DRAWN BY DATE
$\nabla=0$	3 PLACES ± --- ± ---	DGR1FF1THS 06-03-03
$\nabla=0$	2 PLACES ± 0.10 ± ---	CHECKED BY DATE
	1 PLACE ± 0.3 ± ---	DGR1FF1THS 06-03-03
	0 PLACE ± ±	APPROVED BY DATE
		DGR1FF1THS 06-03-03

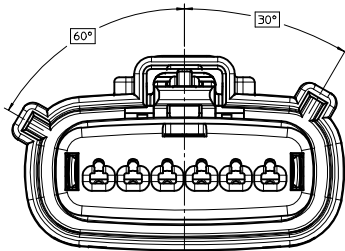
ANGULAR ± 3 °
 DRAFT WHERE APPLICABLE MUST REMAIN WITHIN DIMENSIONS

THIS DRAWING CONTAINS INFORMATION THAT IS PROPRIETARY TO MOLEX INCORPORATED AND SHOULD NOT BE USED WITHOUT WRITTEN PERMISSION

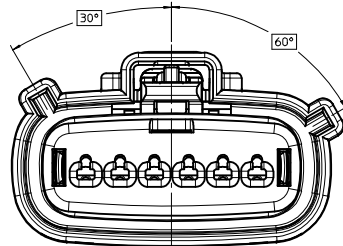
KEY CONFIGURATIONS



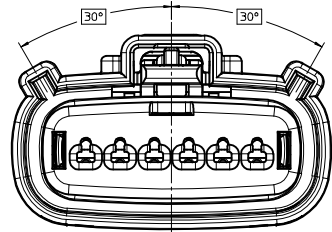
KEY A



KEY B



KEY C



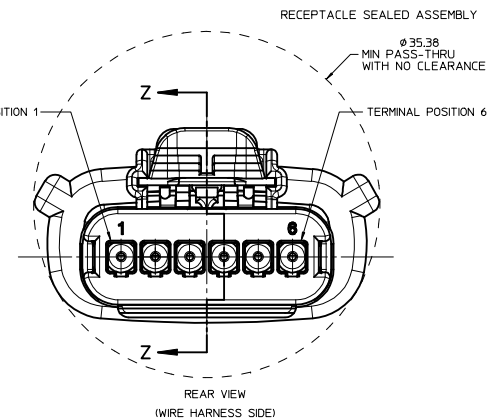
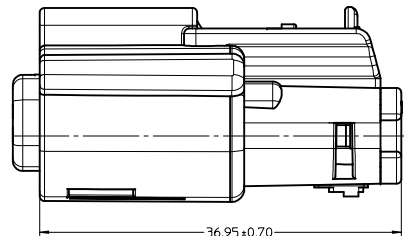
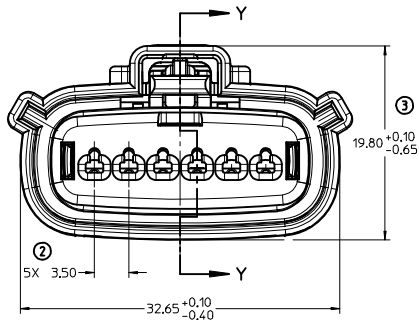
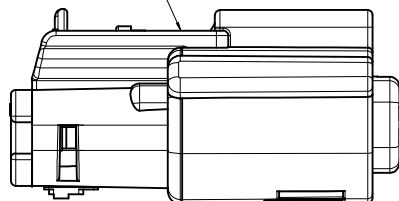
KEY D

ENTER DESCRIPTION IEC NO: UAU2013-1255 DRAWN BY: S2 CHKD: S2 APPR: WKSHY 2013/02/07 2013/02/12	QUALITY SYMBOLS	GENERAL TOLERANCES (UNLESS SPECIFIED)	DIMENSION STYLE	SCALE	DESIGN UNITS	THIRD ANGLE PROJECTION
	▽=0	4 PLACES ± mm ± INCH	MM ONLY	4:1	METRIC	☉
	▽=0	3 PLACES ± 0.10 ± --- ± ---	DRAWN BY DATE			
	▽=0	2 PLACES ± 0.3 ± --- ± ---	DGRAFFITHS 06-03-03	CHECKED BY DATE		
		ANGULAR ± 3 °	APPROVED BY DATE			
		DRAFT WHERE APPLICABLE MUST REMAIN WITHIN DIMENSIONS	DGRAFFITHS 06-03-03			
			MATERIAL NO:	TITLE		
			SEE BOM	MX150 1X6 RECEPTACLE SEALED ASSEMBLY MAT SEAL		
				DOCUMENT NO.		
				SD-33471-061		
				SHEET NO.		
				2 OF 4		

molex

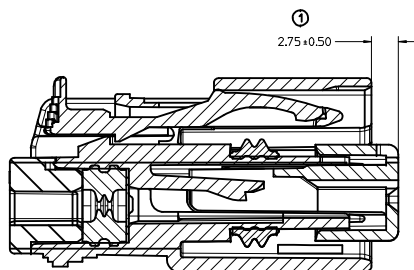
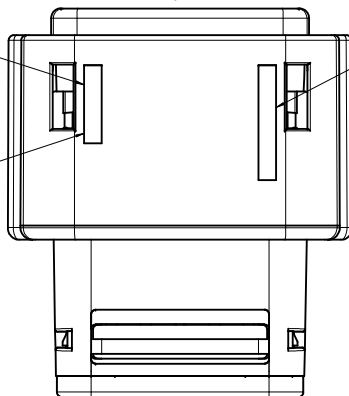
THIS DRAWING CONTAINS INFORMATION THAT IS PROPRIETARY TO MOLEX INCORPORATED AND SHOULD NOT BE USED WITHOUT WRITTEN PERMISSION

LASER MARKING THIS SURFACE
SEE NOTE 3g.



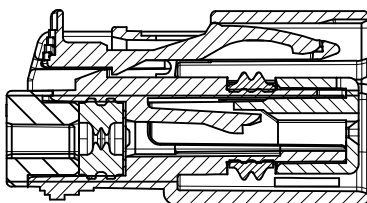
MOLD CAVITY CODE RECYCLE CODE

LOCATION CODE



PRIMARY LOCK REINFORCEMENT (PLR) SHOWN
IN PRE-STAGED POSITION

SECTION Z-Z



PRIMARY LOCK REINFORCEMENT (PLR) SHOWN
IN FINAL-LOCK POSITION

SECTION Y-Y

ENTER DESCRIPTION IEC NO: UAU2013-1255 DRAWN BY: 2013/02/07 CHKD: APPR: WOSHY REV: DESCRIPTION	QUALITY SYMBOLS ▽=0 ▽=0 ▽=0		GENERAL TOLERANCES (UNLESS SPECIFIED) mm INCH 4 PLACES ± --- ± --- 3 PLACES ± --- ± --- 2 PLACES ± 0.10 ± --- 1 PLACE ± 0.3 ± --- 0 PLACE ± ±		DIMENSION STYLE MM ONLY		SCALE 4:1		DESIGN UNITS METRIC		THIRD ANGLE PROJECTION	
	DRAWN BY: DGRIFITHS DATE: 06-03-03		CHECKED BY: DGRIFITHS DATE: 06-03-03		APPROVED BY: DGRIFITHS DATE: 06-03-03		MATERIAL NO: SEE BOM		DOCUMENT NO: SD-33471-061		SHEET NO: 3 OF 4	
	DRAFT WHERE APPLICABLE MUST REMAIN WITHIN DIMENSIONS		ANGULAR ± 3 °		THIS DRAWING CONTAINS INFORMATION THAT IS PROPRIETARY TO MOLEX INCORPORATED AND SHOULD NOT BE USED WITHOUT WRITTEN PERMISSION		MOLEX		MX150 1X6 RECEPTACLE SEALED ASSEMBLY MAT SEAL		TITLE	
	SIZE D		DRAFT WHERE APPLICABLE MUST REMAIN WITHIN DIMENSIONS		THIS DRAWING CONTAINS INFORMATION THAT IS PROPRIETARY TO MOLEX INCORPORATED AND SHOULD NOT BE USED WITHOUT WRITTEN PERMISSION		MOLEX		MX150 1X6 RECEPTACLE SEALED ASSEMBLY MAT SEAL		TITLE	

ASSEMBLY PART NUMBER	COLOR	KEYING OPTION	CAVITY TYPE & STATUS (X = PLUGGED)						CPA	STATUS
			1	2	3	4	5	6		
33471-0601	BLACK	A							-	SALEABLE
33471-0602	LT. GRAY	B							-	
33471-0603	BROWN	C							-	
33471-0604	GREEN	D							-	
33471-0605	YELLOW	A							-	SALEABLE
33471-0606	BLACK	A							YES	SALEABLE
33471-0607	LT. GRAY	B							YES	
33471-0608	BROWN	C							YES	
33471-0609	GREEN	D							YES	
33471-0610	YELLOW	A							YES	SALEABLE
33471-0611	BLACK	A						X	-	SALEABLE
33471-0612	LT. GRAY	B						X	-	
33471-0613	BROWN	C						X	-	
33471-0614	GREEN	D						X	-	
33471-0615	YELLOW	A						X	-	SALEABLE
33471-0616	BLACK	A						X	YES	SALEABLE
33471-0617	LT. GRAY	B						X	YES	
33471-0618	BROWN	C						X	YES	
33471-0619	GREEN	D						X	YES	
33471-0620	YELLOW	A						X	YES	SALEABLE
33471-0621	BLACK	A	X					X	-	SALEABLE
33471-0622	LT. GRAY	B	X					X	-	
33471-0623	BROWN	C	X					X	-	
33471-0624	GREEN	D	X					X	-	
33471-0625	YELLOW	A	X					X	-	SALEABLE
33471-0626	BLACK	A	X					X	YES	SALEABLE
33471-0627	LT. GRAY	B	X					X	YES	
33471-0628	BROWN	C	X					X	YES	
33471-0629	GREEN	D	X					X	YES	
33471-0630	YELLOW	A	X					X	YES	SALEABLE
33471-0631	BLACK	A	X	X	X	X	X	X	-	SALEABLE
33471-0632	LT. GRAY	B	X	X	X	X	X	X	-	
33471-0633	BROWN	C	X	X	X	X	X	X	-	
33471-0634	GREEN	D	X	X	X	X	X	X	-	
33471-0635	YELLOW	A	X	X	X	X	X	X	-	SALEABLE
33471-0650	BLACK	A				X			-	SALEABLE
33471-0651	BLACK	A	X	X	X	X	X	X	YES	SALEABLE
33471-0652	BLACK	A				X			YES	SALEABLE
33471-0653	BLACK	A			X				YES	SALEABLE
33471-0654	BLACK	A			X				-	SALEABLE
33471-0655	BLACK	A			X	X	X		-	SALEABLE
33471-0656	BLACK	A				X			-	SALEABLE
33471-0657	BLACK	A				X			-	SALEABLE
33471-0658	BLACK	A	X	X	X	X			-	SALEABLE

SD

ENTER DESCRIPTION IEC NO. UAU2013-1255 DRAWN BY SD CHKD: APPR: WKSHY 2013/02/07 2013/02/12	QUALITY SYMBOLS ∇=0 ∇=0 ∇=0	GENERAL TOLERANCES (UNLESS SPECIFIED) mm INCH 4 PLACES ± --- ± --- 3 PLACES ± --- ± --- 2 PLACES ± 0.10 ± --- 1 PLACE ± 0.3 ± --- 0 PLACE ± ±	DIMENSION STYLE MM ONLY	SCALE DESIGN UNITS METRIC	THIRD ANGLE PROJECTION
	DRAWN BY DATE DGRIF ITHS 06-03-03 CHECKED BY DATE DGRIF ITHS 06-03-03 APPROVED BY DATE DGRIF ITHS 06-03-03	TITLE MX150 1X6 RECEPTACLE SEALED ASSEMBLY MAT SEAL molex	MATERIAL NO. SEE BOM	DOCUMENT NO. SD-33471-061	SHEET NO. 4 OF 4