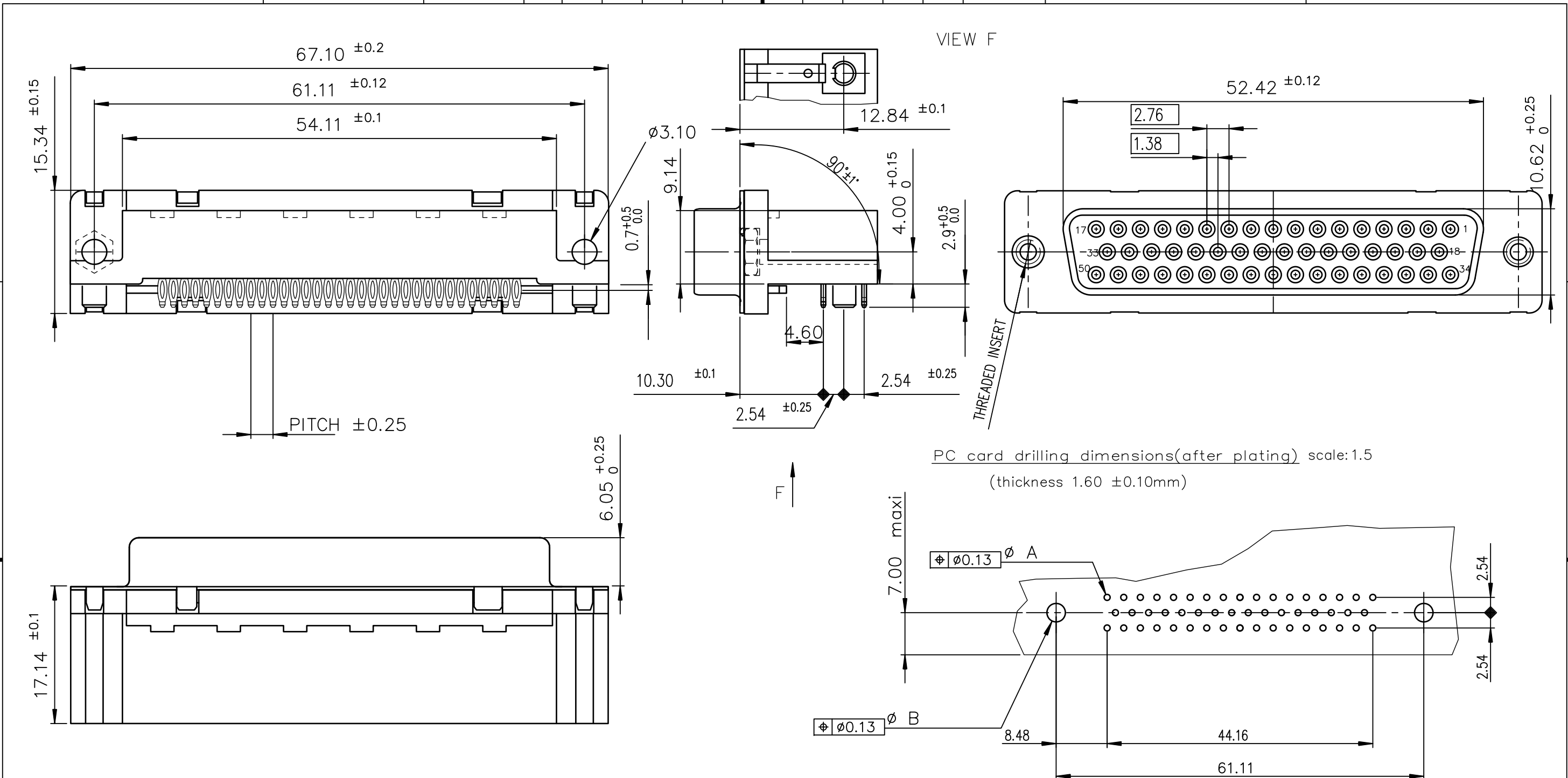




FCIconnect.com

Copyright FCI



TIN LEAD PART NUMBER		THREADED INSERT OPTIONS
D50P82C4GPL00	D50S82C6PL00	M3
Gold flash	0.76 μ gold	

LEAD FREE PART NUMBER		
D50S82C4GPL00LF	D50S82C6PL00LF	M3
D50S82C4GPX00LF	D50S82C4GPX00LF	UNC 4-40
Gold flash	0.76 μ gold	

GENERAL CHARACTERISTICS AND ROHS INFORMATIONS:
SEE DRAWING C01-8646-0001

mat'l. code				surface		tolerance		projection		product family	
-				ISO 1302 ✓		ISO 406 ISO 1101				D-SUB	
ltr				ecn no		dr		date		title	
H				ELX-I-18050		MP		2014/06/23		DELTA-D EUROSTYLE FEMALE 50 RIGHT ANGLED PRESS FIT	
										dwg no	
										sheet 1 of 1	
										size	
										A3	
										type	
										Product Customer Drawing	
sheet index		revision sheet		H							
		1									