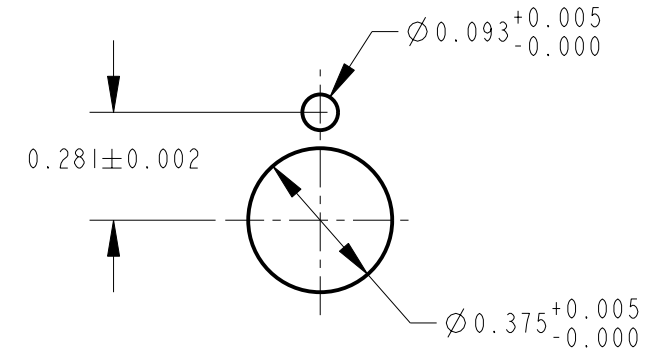
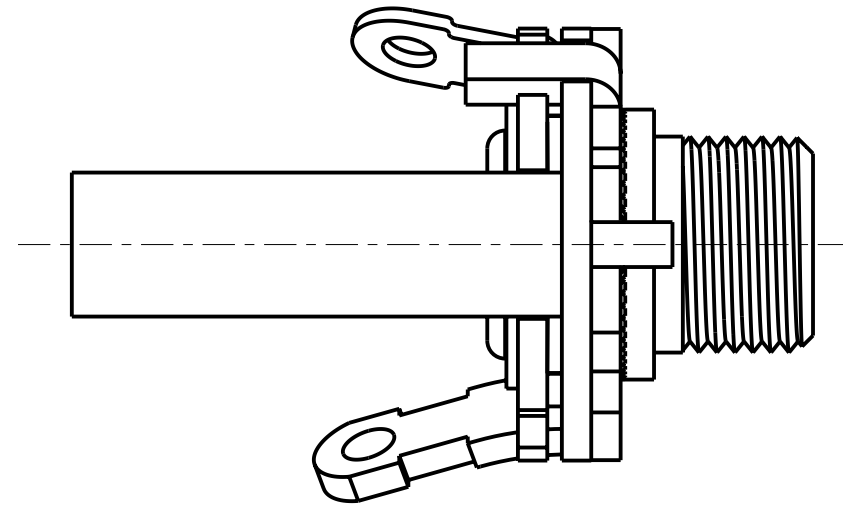
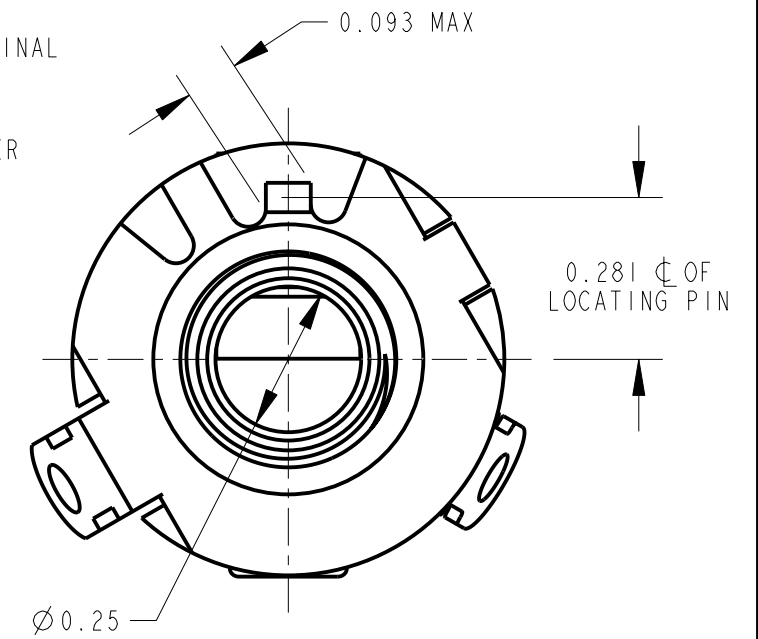
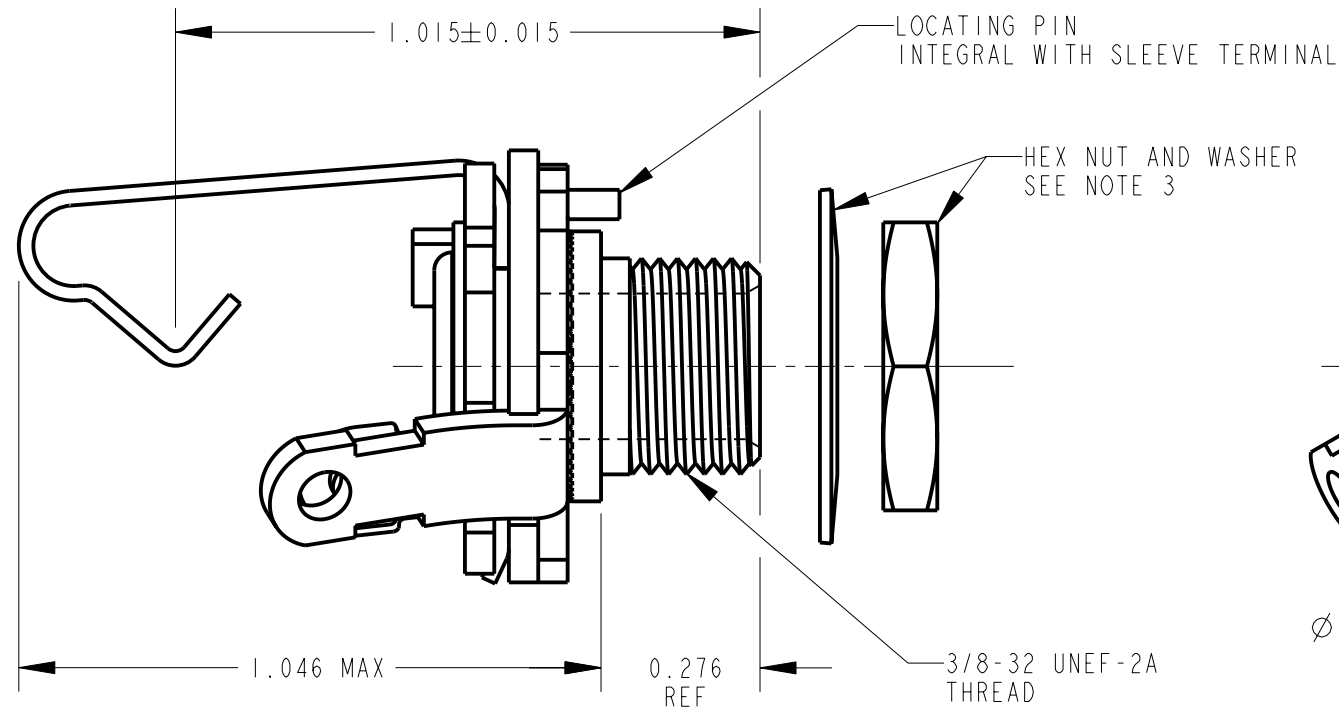
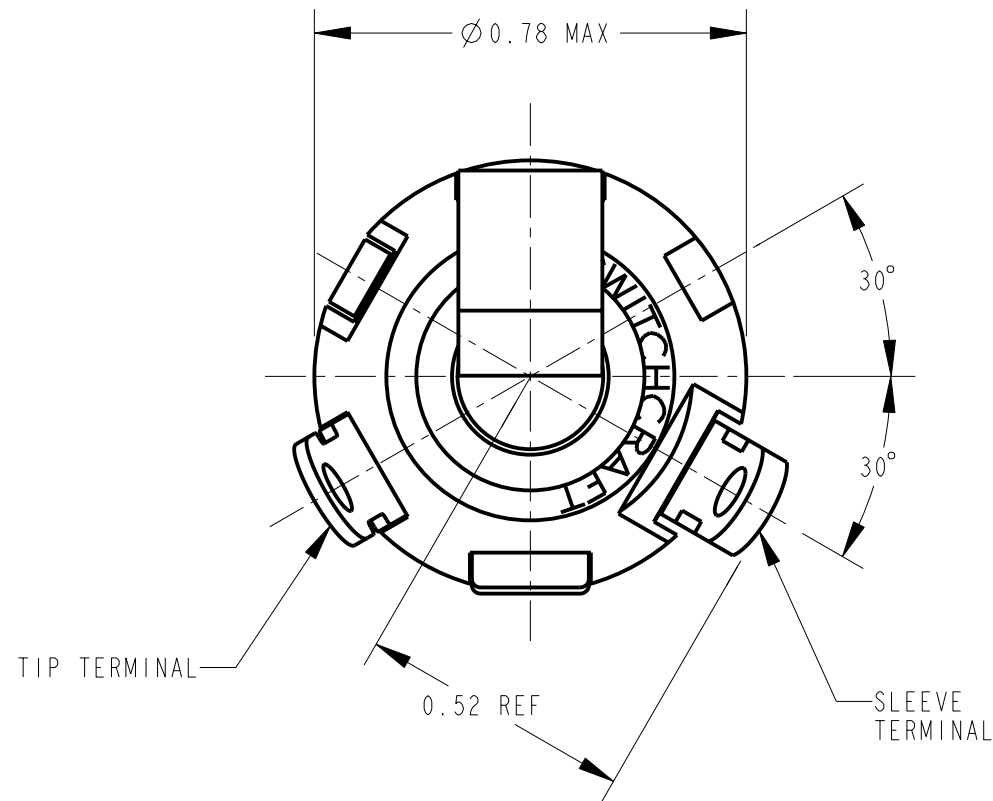


SCHEMATIC



MOUNTING DETAIL



NOTES:

1. ALL PARTS ARE MECHANICALLY INTERLOCKED.
2. MATERIALS:  
 BUSHING - COPPER ALLOY, NICKEL PLATED  
 SLEEVE TERMINAL - COPPER ALLOY, NICKEL PLATED  
 TIP SPRINGS - SPECIAL COPPER ALLOY  
 INSULATING WASHERS - PHENOLIC  
 METAL WASHER - COPPER ALLOY, NICKEL PLATED  
 HARDWARE - COPPER ALLOY, NICKEL PLATED  
 TERMINALS ARE TIN DIPPED WITH LEAD FREE SOLDER
3. K180 HEX NUT AND K216 WASHER SHIPPED UNASSEMBLED.
4. THIS PRODUCT IS RoHS COMPLIANT.

CUSTOMER DRAWING

REV	ECO NUMBER	DATE	BY	APVD
B	27023	9-14-12	TO	TJK
A	25366	6-24-06	TO	TJK

★ STAR SYMBOL DENOTES CRITICAL DIMENSION

UNLESS OTHERWISE SPECIFIED

1. ALL DIMENSIONS IN INCHES  
 - TWO PLACE DECIMALS ±0.01  
 - THREE PLACE DECIMALS ±0.005  
 - ANGLES ±1°  
 - ALL DIA. CONCENTRIC WITHIN 0.005 T.I.R.
2. FEATURES ON THE SAME CENTERLINE MUST BE ALIGNED WITHIN ±0.002
3. REMOVE ALL BURRS

DO NOT SCALE DRAWING

THIS DRAWING DESCRIBES A DESIGN CONSIDERED PROPRIETARY IN NATURE, DEVELOPED AND MANUFACTURED BY SWITCHCRAFT INC. AND IS RELEASED ON A CONFIDENTIAL BASIS FOR IDENTIFICATION PURPOSES ONLY.									
SIZE	WIDTH	MULT	LBS/M	TEMPER					
FINISH					MATERIAL				
SPEC No.					SPEC No.				
FIRST USED ON					SCALE				
					3:1				
DATE DRAWN	BY	CHKD	APVD						
29-Apr-13	TJK	TJK	TJK						
NAME					PART No.				
2 CONDUCTOR					CIIX				
Ø 0.25 LITTEL-JAX, RoHS					REV B				