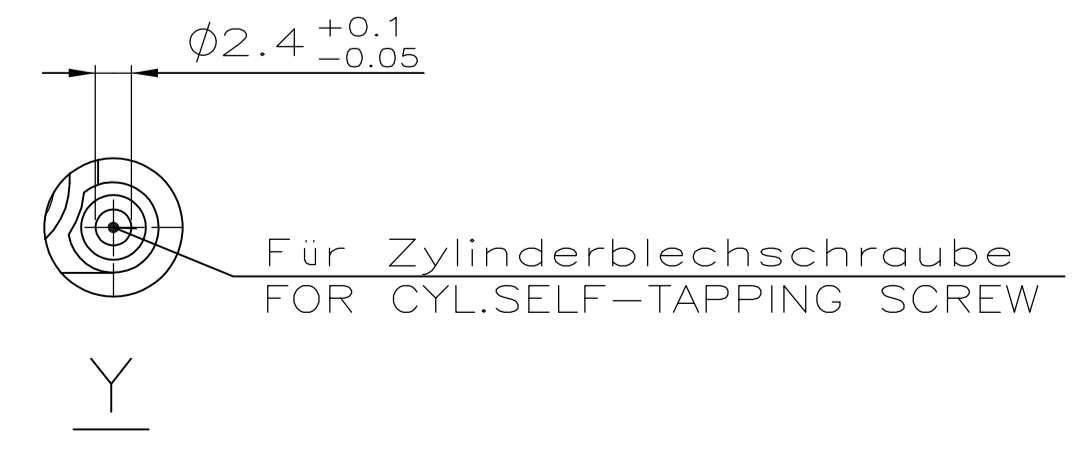
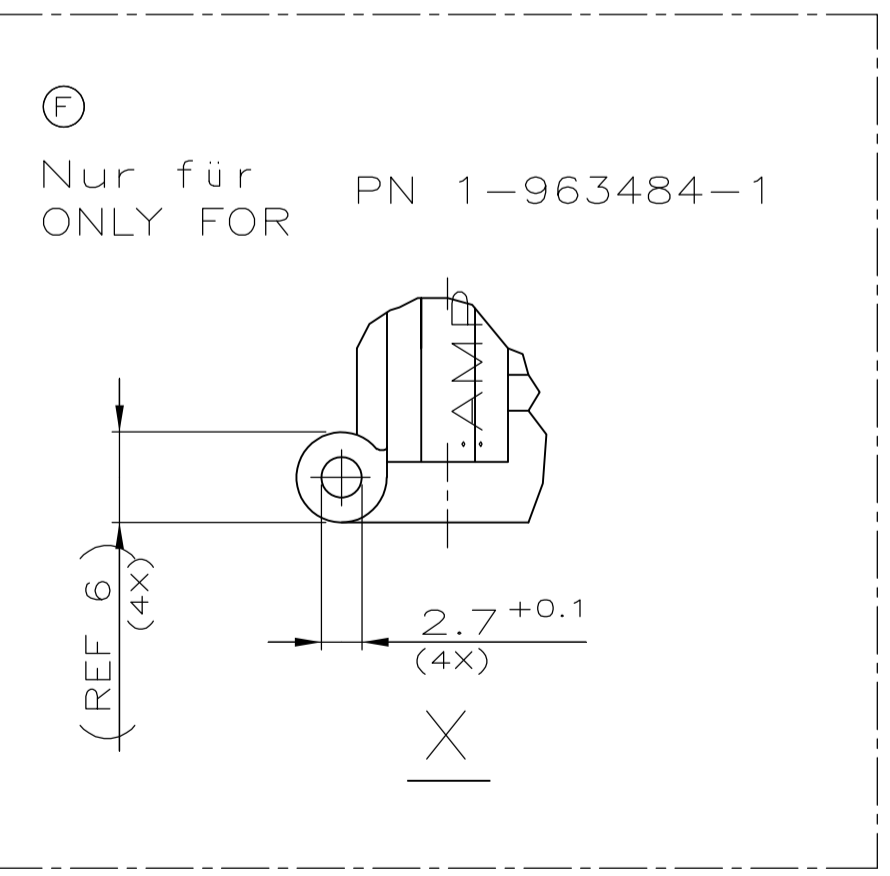
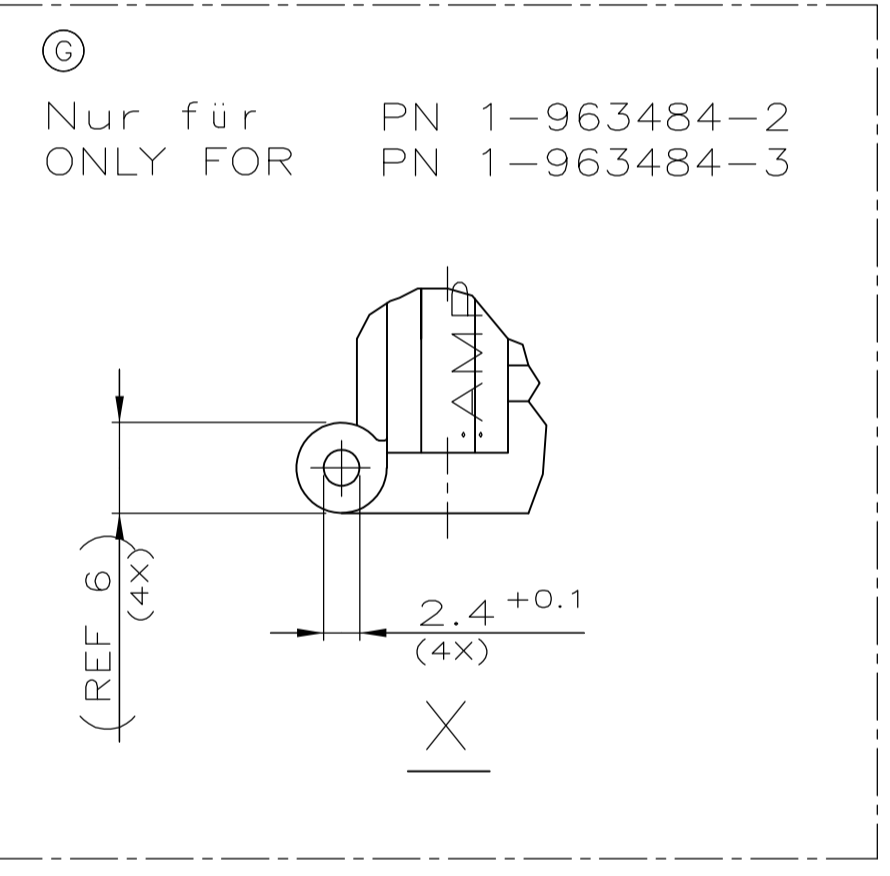
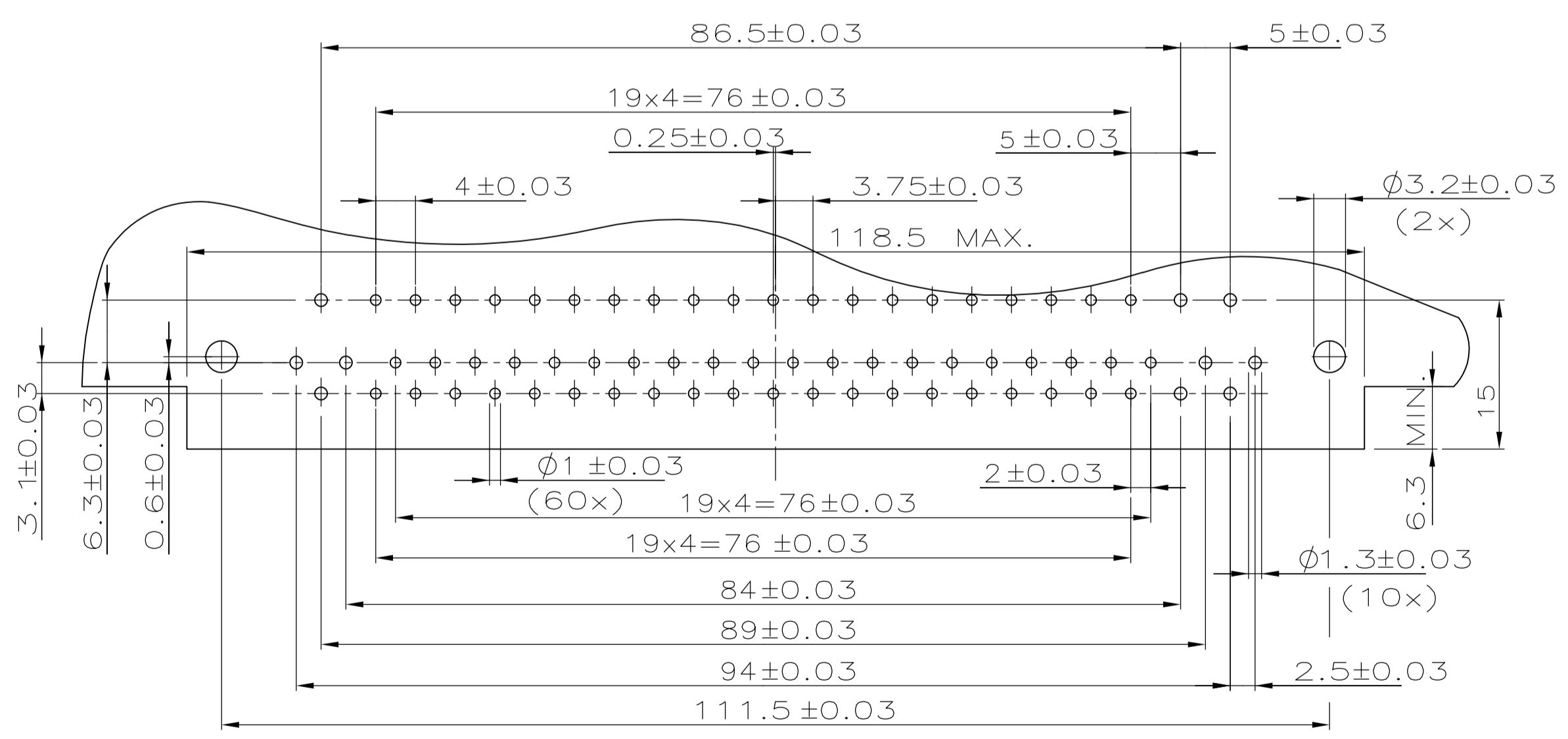


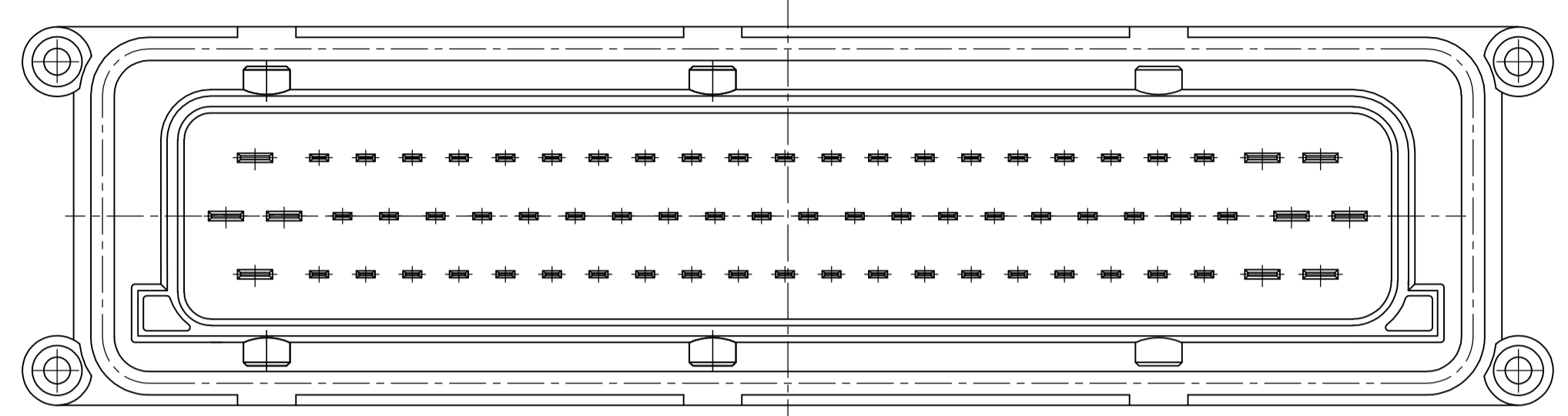
Leiterplattenlochbild für 90° + 270° Version  
PCB-LAYOUT FOR 90° + 270° VERSION



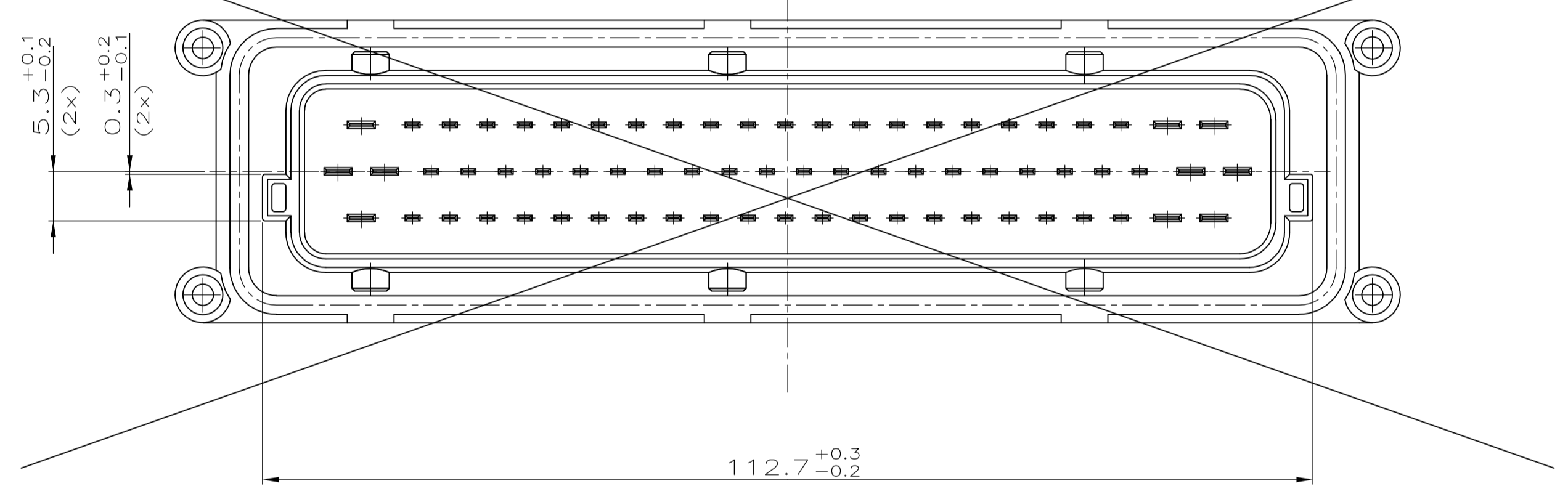
PARTS LIST SEE SHEET 2

BESTELL-NR.						REV.						POS.						STÜCK						BENENNUNG EINZELTEIL						WERKSTOFF						OBERFLÄCHE FARBE																																																											
MATERIAL												FINISH/OBERFLÄCHE/FARBE												WEIGHT GEWICHT												CUSTOMER DRAWING /KUNDENZEICHNUNG																																																											
DIN M.Kressmann 02.11.93												GJK H.Bouda 05.11.93												NAME												APVD												PRODUCT SPEC PRODUKTSPEZ												APPLICATION SPEC VERARBEITUNGSSPEZ												SIZE CASE CODE DRAWING NO ZEICHNUNGS-NR												RESTRICTED TO OUR FIRM											
STE												TE Connectivity												TAB HEADER, 70 POS.												SCALE MASSSTAB 2:1												SHEET BLATT 1 von 2												REV G1																																			

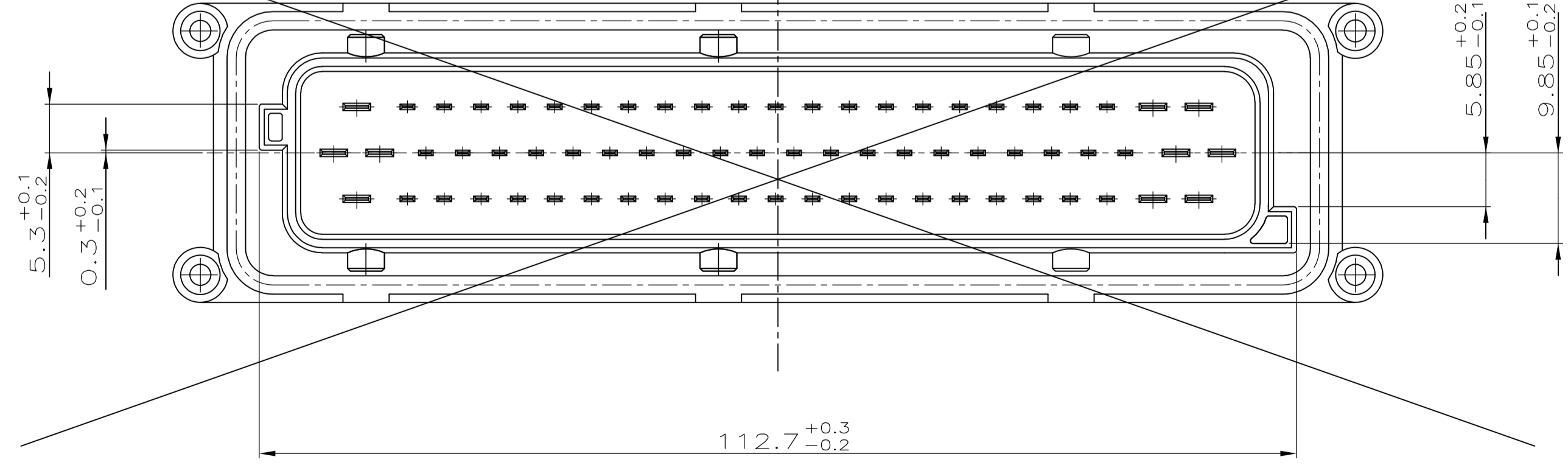
8 CODING A1



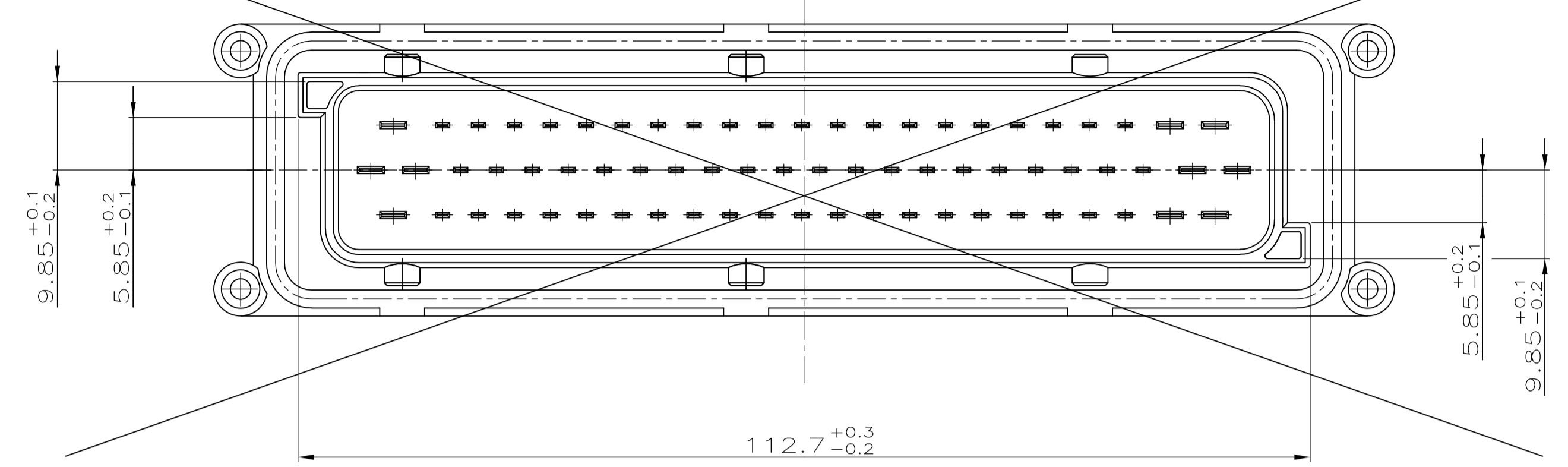
9 CODING B1



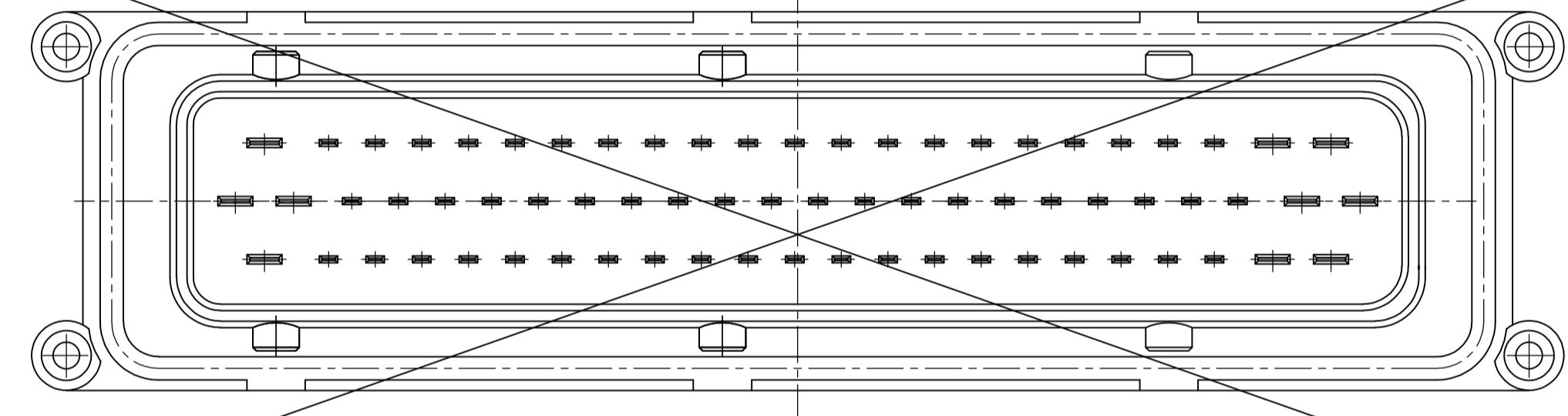
10 CODING C1



11 CODING D1



12 CODING N



5-963484-1	D	12	1	TAB HEADER CODE N	PBT GF30	WHITE
COMPONENTS 1-7, EQUIVALENT TO COMPONENTS OF PN 1-963484-1						
4-963484-1	D	11	1	TAB HEADER CODE D1	PBT GF30	BROWN
COMPONENTS 1-7, EQUIVALENT TO COMPONENTS OF PN 1-963484-1						
3-963484-1	D	10	1	TAB HEADER CODE C1	PBT GF30	BLUE
COMPONENTS 1-7, EQUIVALENT TO COMPONENTS OF PN 1-963484-1						
2-963484-1	D	9	1	TAB HEADER CODE B1	PBT GF30	GREY
COMPONENTS 1-7, EQUIVALENT TO COMPONENTS OF PN 1-963484-1						
1-963484-3	A	8	1	TAB HEADER CODE A1	PBT GF30	BLACK
		7	1	CENTERING-PLATE	PBT GF30	BLACK
		6	3	TAB 3mm	CuSn4	PRE-TIN PLATED
		5	4	TAB 3mm	CuSn4	PRE-TIN PLATED
		4	3	TAB 3mm	CuSn4	PRE-TIN PLATED
		3	20	TAB 1.6mm	CuSn4	PRE-TIN PLATED
		2	20	TAB 1.6mm	CuSn4	PRE-TIN PLATED
		1	20	TAB 1.6mm	CuSn4	PRE-TIN PLATED
1-963484-2	F	8	1	TAB HEADER CODE A1	PBT GF30	BLACK
		7	1	CENTERING-PLATE	PBT GF30	BLACK
		6	3	TAB 3mm	CuSn4	PRE-TIN PLATED
		5	4	TAB 3mm	CuSn4	PRE-TIN PLATED
		4	3	TAB 3mm	CuSn4	PRE-TIN PLATED
		3	20	TAB 1.6mm	CuSn4	PRE-TIN PLATED
		2	20	TAB 1.6mm	CuSn4	PRE-TIN PLATED
		1	20	TAB 1.6mm	CuSn4	PRE-TIN PLATED
1-963484-1	F	8	1	TAB HEADER CODE A1	PBT GF30	BLACK
		7	1	CENTERING-PLATE	PBT GF30	BLACK
		6	3	TAB 3mm	CuSn4	PRE-TIN PLATED
		5	4	TAB 3mm	CuSn4	PRE-TIN PLATED
		4	3	TAB 3mm	CuSn4	PRE-TIN PLATED
		3	20	TAB 1.6mm	CuSn4	PRE-TIN PLATED
		2	20	TAB 1.6mm	CuSn4	PRE-TIN PLATED
		1	20	TAB 1.6mm	CuSn4	PRE-TIN PLATED
BESTELL-NR.	REV.	POS.	STÜCK	BENENNUNG EINZELTEIL	WERKSTOFF	

THIS DRAWING IS A CONTROLLED DOCUMENT. DIESE ZEICHNUNG IST EIN KONTROLLIERTES DOKUMENT.

DIMENSIONS: MASSENEHITEN: mm. TOLERANCES UNLESS OTHERWISE SPECIFIED: ALLIGERINTOLERANZEN.

0 PLC ± -  
1 PLC ± 0.3 mm  
2 PLC ± -  
3 PLC ± -  
4 PLC ± -

ANGLES / WINKEL: ° - ± -

MATERIAL: PBT GF30. FINISH / OBERFLÄCHE / FARBE: -

WEIGHT / GEWICHT: -

REVISIONS: A1, G1, REVISED PER ECO-11-005150. DATE: 21MAR11. DWG: RK. APVD: HMR.

STE TE Connectivity. TAB HEADER, 70 POS.

SCALE: MASSSTAB 2:1. SHEET: BLATT 2 von 2. REV: G1.