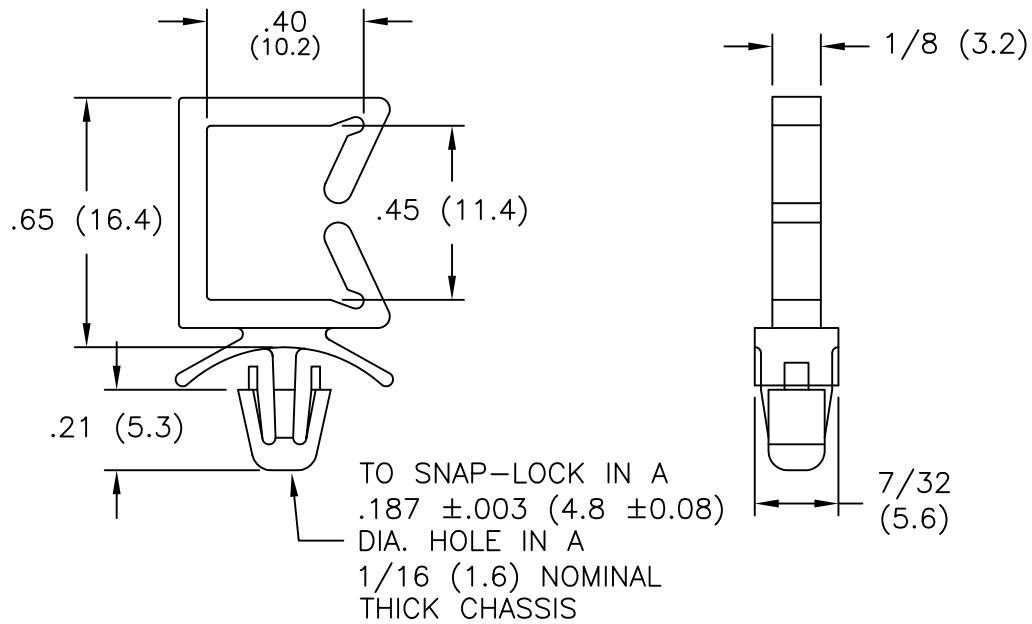


MAT'L: NYLON 66 (RMS-01), NATURAL. PART NO.	MAT'L: NYLON 66 (RMS-19), NATURAL. FLAME RETARDANT PART NO.
WS-SE-A-2-01	WS-SE-A-2-19



TITLE: WIRE SADDLE SIDE ENTRY-02				DWG IN IN (MM)		FINAL		PRINT TYPE	
TOLERANCES UNLESS NOTED .XX=±.010 .XXX=±.005 FRAC=1/64 ANG=1°		FILE # WSSEA2	DWN: P.B.	APP:		PART #		CA	
RE: RICHCO, INC.		MAT'L: SEE TABLE	DT: 08/18/94	DT:		WS-SE-A-2 SERIES			
A		SM 04.12.01		RICHCO INC. PO BOX 804238, CHICAGO, 60680 (773) 539-4060					
REV		ENGR DATE							

A	REMOVED NOTES; ADDED TABLE AND CHANGED FILE NO.	SM 04.12.01
REV	DESCRIPTION	ENGR DATE