

# MICRO SWITCH

FREEDPORT ILLINOIS, U.S.A  
A DIVISION OF HONEYWELL  
FED. MFG. CODE 91929

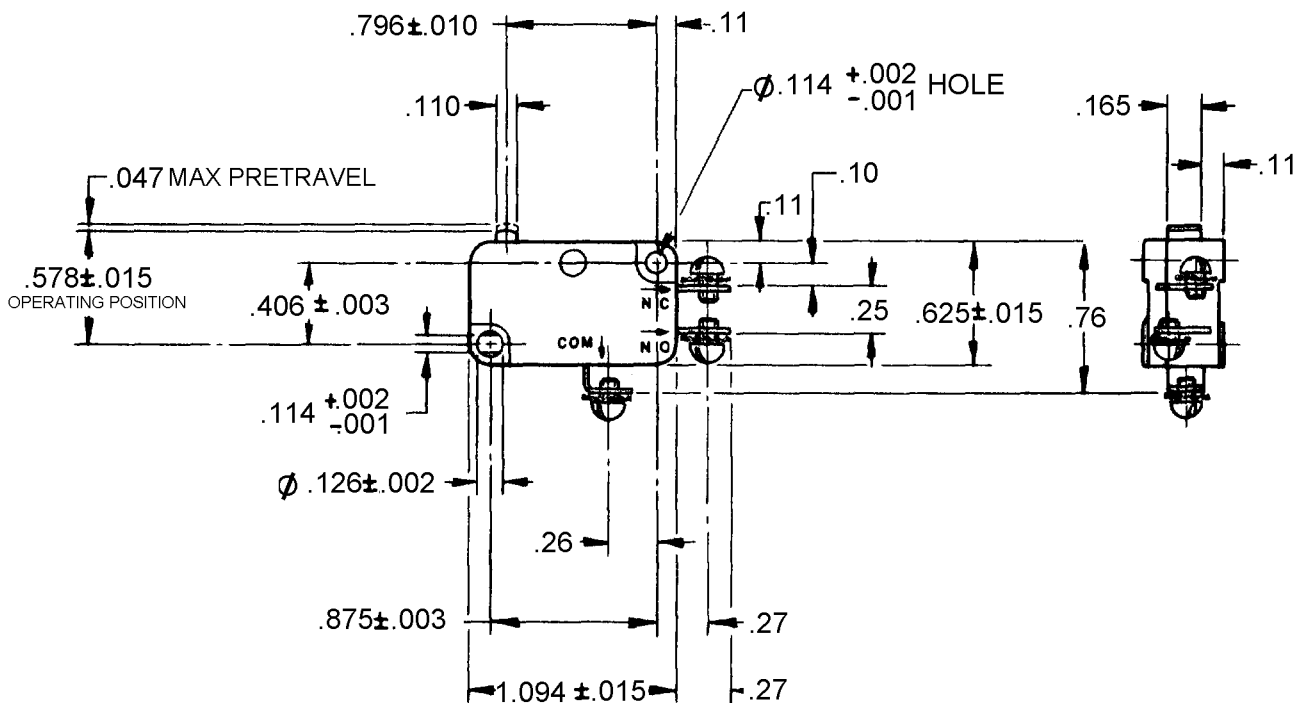
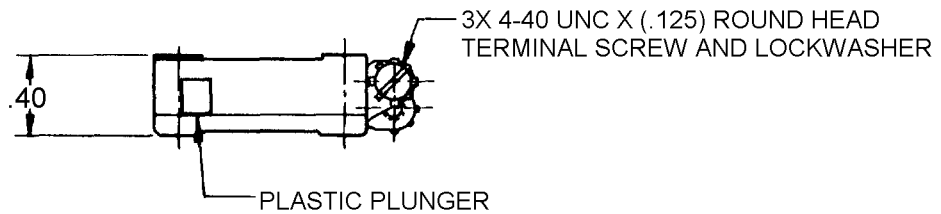
# SWITCH-BASIC

CATALOG LISTING

## V3-1201

MILITARY STDS PART NO.  
M8805/90-001

## CK-N1201



NOTE  
1 - "M8805/90-001" AND SOURCE CODE "91929" MARKED ON SWITCH  
AND LABEL OF PACKING BOX

ANSI Y14.5M-1982 APPLIES

THIS DRAWING COVERS A PROPRIETARY ITEM AND IS THE PROPERTY OF MICRO SWITCH, A DIVISION OF HONEYWELL. THIS DRAWING IS NOT TO BE COPIED OR USED WITHOUT THE APPROVAL OF MICRO SWITCH.

### CHARACTERISTICS

OPERATING FORCE ----- 75 GRAM MAX  
RELEASE FORCE ----- 10 GRAM MIN  
DIFFERENTIAL TRAVEL ----- .002-.010  
OVERTRAVEL ----- .050 MIN  
FREE POSITION ----- .625 MAX  
RELEASE TRAVEL ----- .010 MIN

### ELECTRICAL DATA

CONTACT ARRANGEMENT  
S P D T

### SCALE FULL

DO NOT SCALE PRINT

UNLESS OTHERWISE NOTED

DIMENSIONS ARE IN INCHES

TOLERANCES ARE:

ONE PLACE	(.0)	±.030
TWO PLACE	(.00)	±.015
THREE PLACE	(.000)	±.005
ANGLES		±

WEIGHT 9.1 GRAMS

V3-1201

PAGE 1 OF 1

REPLACES

PR-2340

RELEASE NO.

M

DRAWING NUMBER

ISSUE

6

CHECK

4 JAN 72

REVISIONS

A

PR-2340

S R H

3 JAN 72

CO

B

39182

G A S

18 FEB 78

C

CO45436

D J W

31 JAN 78

CO

D

76499

D C S

6 JAN 94

E

201691

G J W

8 NOV 00

CHECK

4 JAN 72

DRAWN

S R H

3 JAN 72

CHECK

DRAWN

S R H

3 JAN 72

CHECK

FO-50378-1A