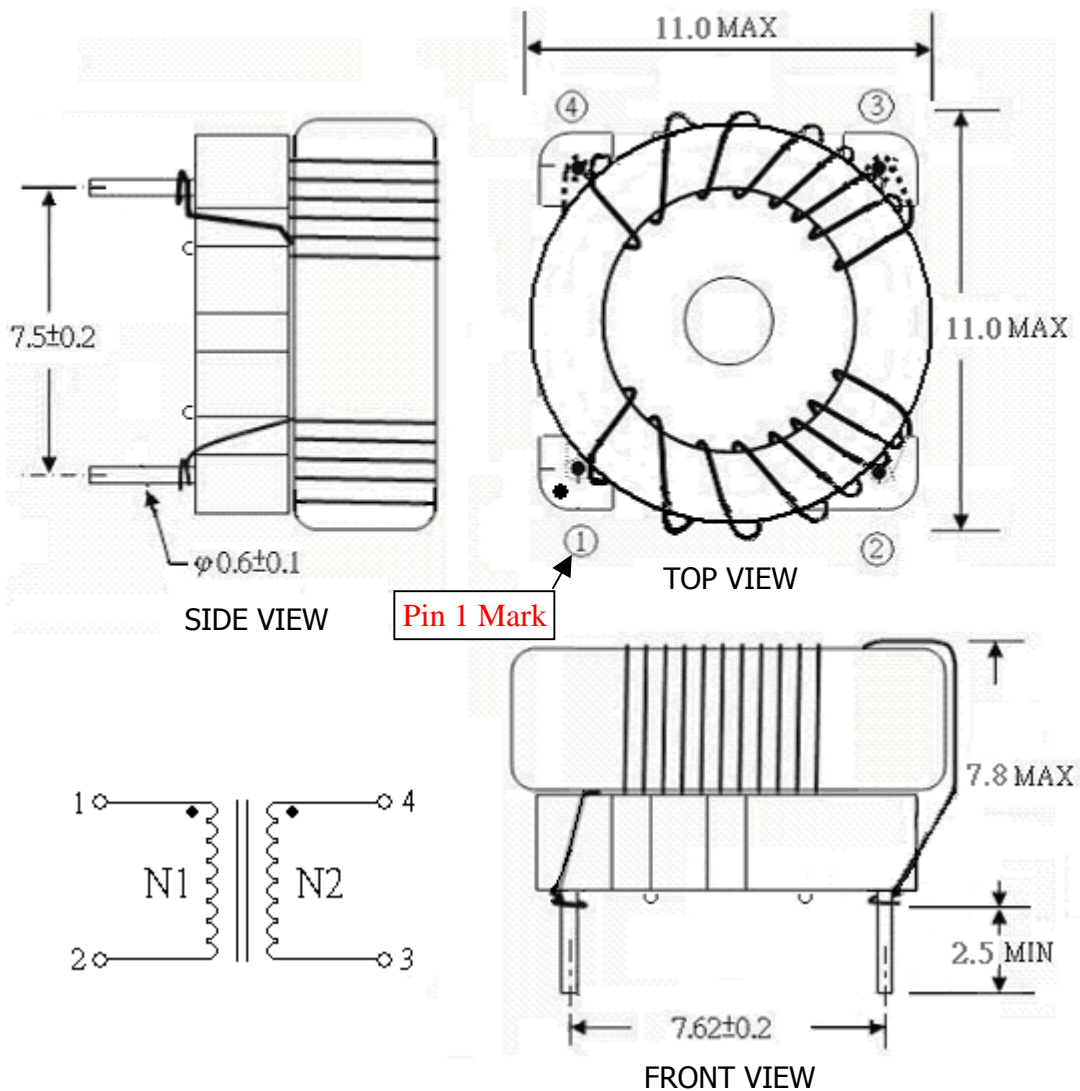


## TCK-017



All dimensions in mm

### SPECIFICATIONS

Inductance	Pin 1-2: $497 \mu\text{H} \pm 25\%$ Pin 3-4: $497 \mu\text{H} \pm 25\%$
	Test Condition: 100KHz/20mV Measurement Instrument: HP 4263B LCR Meter
Impedance	DCR(Max): $100 \text{m}\Omega$
	Measurement Instrument: HIOKI 3540 mΩ Hitester
Rated current	IDC(Max): 1.7A
	Measurement Instrument: Agilent 34401A Meter
Rated voltage	500Vdc between line(N1) & line(N2)
Insulation	1500VAC @ 2mA 60Sec between line(N1) & line(N2)
Operating temperature	$-40^\circ\text{C} \sim +105^\circ\text{C}$
Recommended Through Hole	$\phi 0.8$ mm