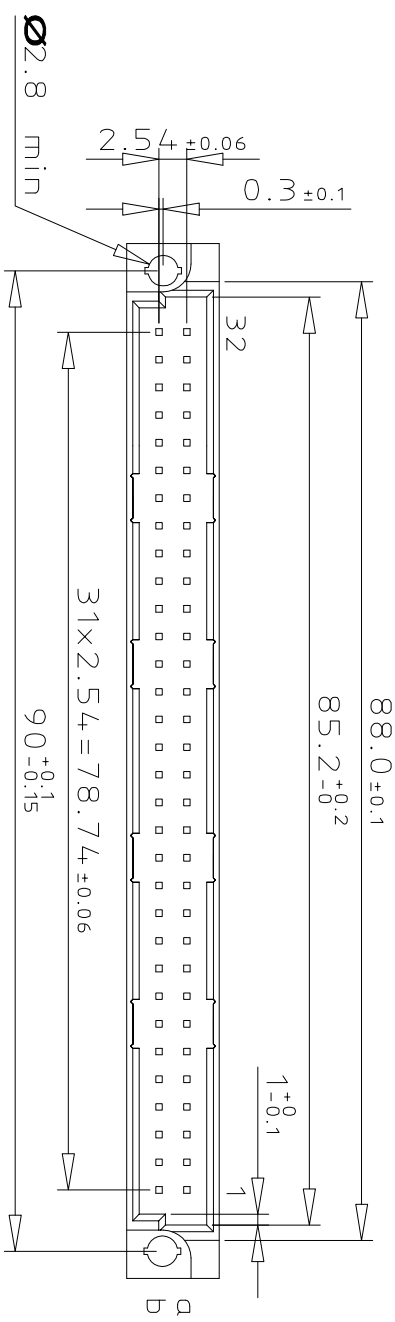
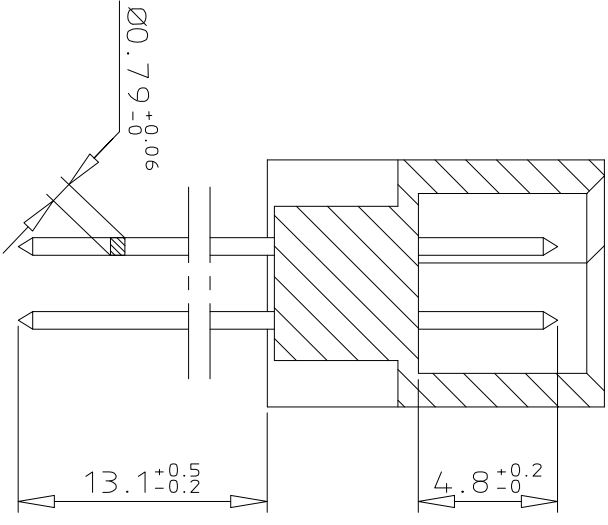


DIMENSIONS



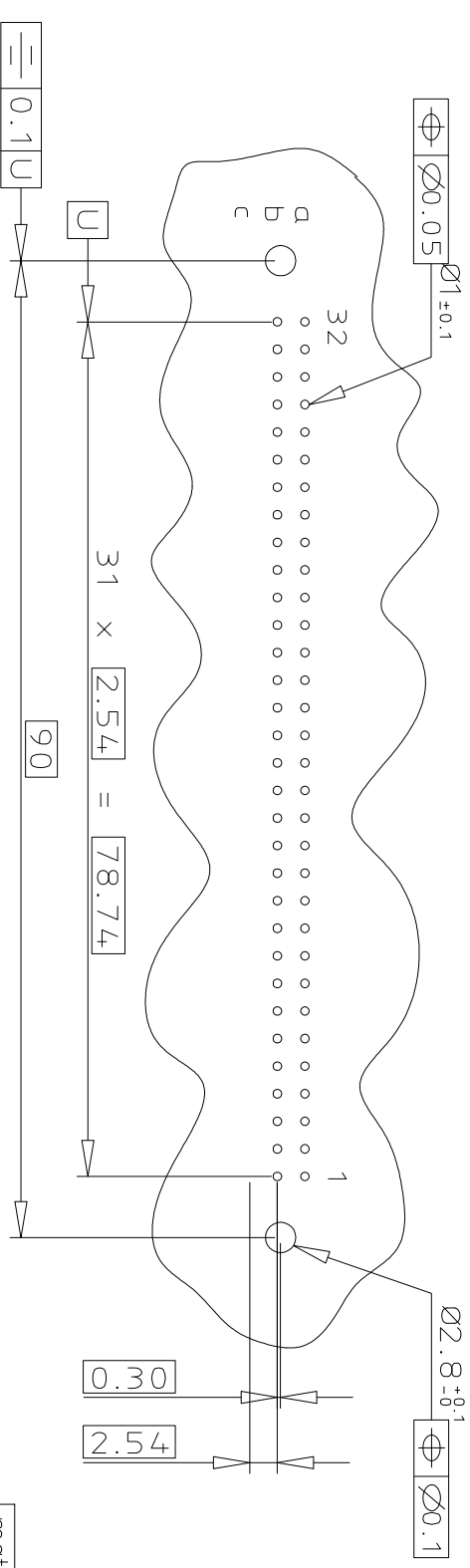
TERMINATION



ORDERING INFORMATION

SERIES	8609	2	64	5	8	15	7	4	5	ELF
ROWS FITTED WITH CONTACTS	ROW a	b								
NO. OF CONTACTS										
TYPE OF INSULATOR	2 ROW MALE INSULATOR									
METHOD OF MOUNTING	5									
REVERSE MOUNTING - STYLE	8									
TERMINATION	15									
WIRE WRAP	7									
OPTIONS	NO OPTION									
PERFORMANCE CLASS	DIN 41612 CLASS 3									
	DIN 41612 CLASS 2									
	DIN 41612 CLASS 1									
	AS PER MIL C 55302 / JSS 50808									
PITCH PER ROW	2.54 mm									
LEAD FREE VERSION	ELF									

PCB LAYOUT



GENERAL CHARACTERISTICS & ROHS INFO

REFER DRAWING C-8609-0000A

mat'l. code	SEE DWG C-8609-0000A		surface	ISO 1302	tolerance	ISO 406	ISO 1101	projection	product family	
tr	ecn	no	dr	ddte	tolerances unless otherwise specified	0.X	±0.1	mm	8609	
A	108-0101	JS	2008-08-18		angles	0.XX	±0.1	mm	DIN REVERSE HEADER	
B	108-0146	KR	2008-10-21		linear	0.XXX	±0.1	mm	WIRE WRAP DIN 41612 STYLE Q	
					0°±2°				FCI	
									dwg no	
									C-8609-2147	
									sheet 1 of 1 size	
									A3	
									type Product Customer Drawing	
sheet index	revision	sheet								
	B	1								