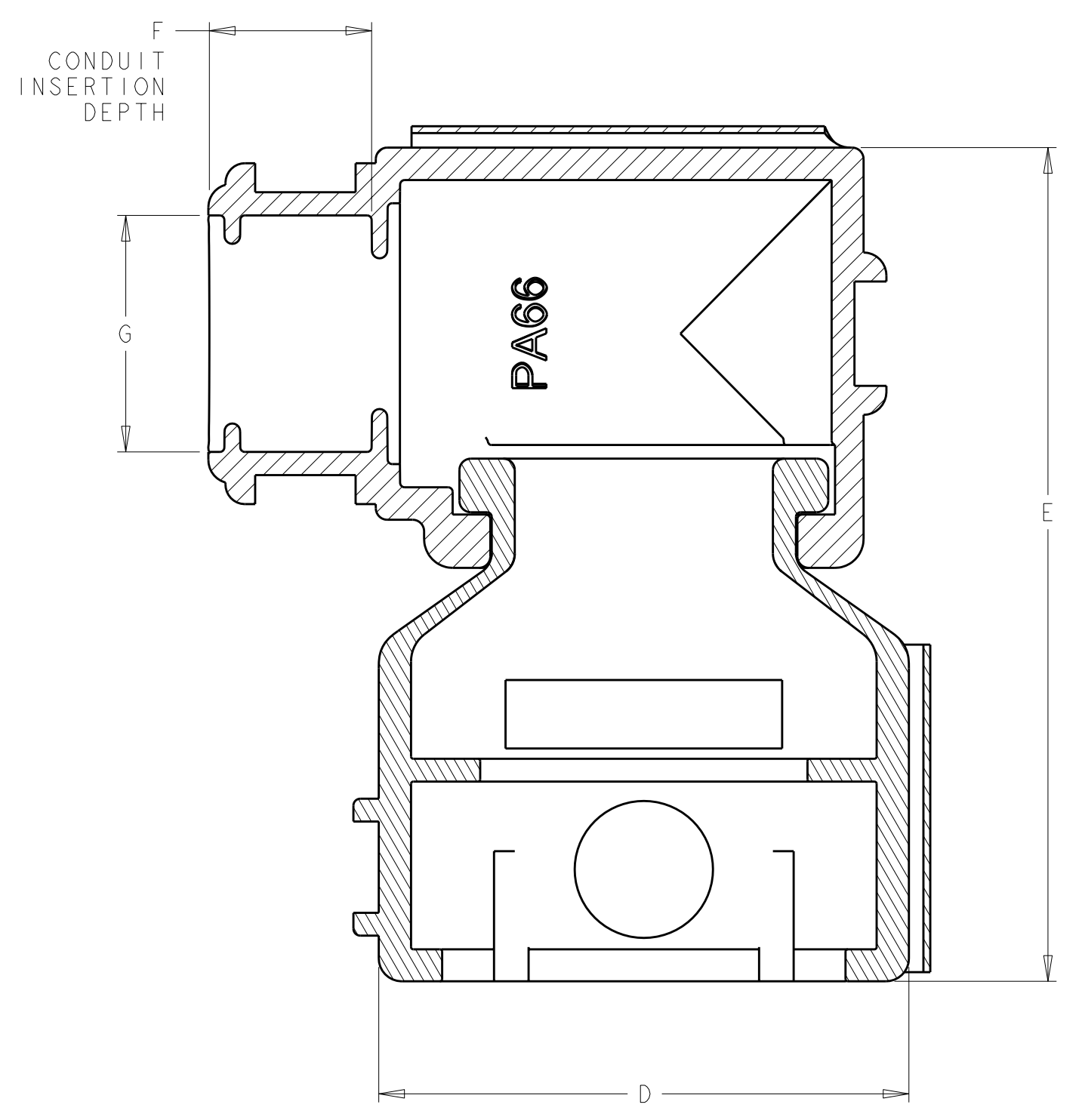
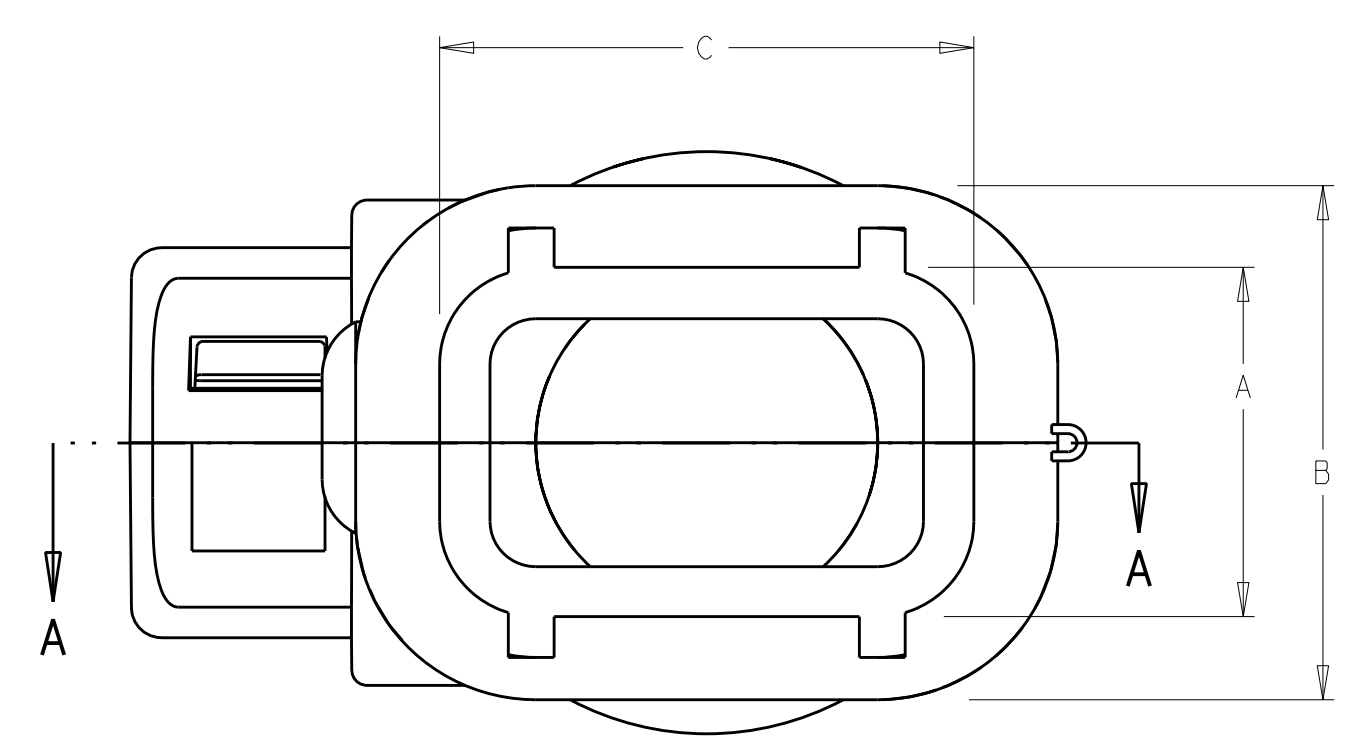
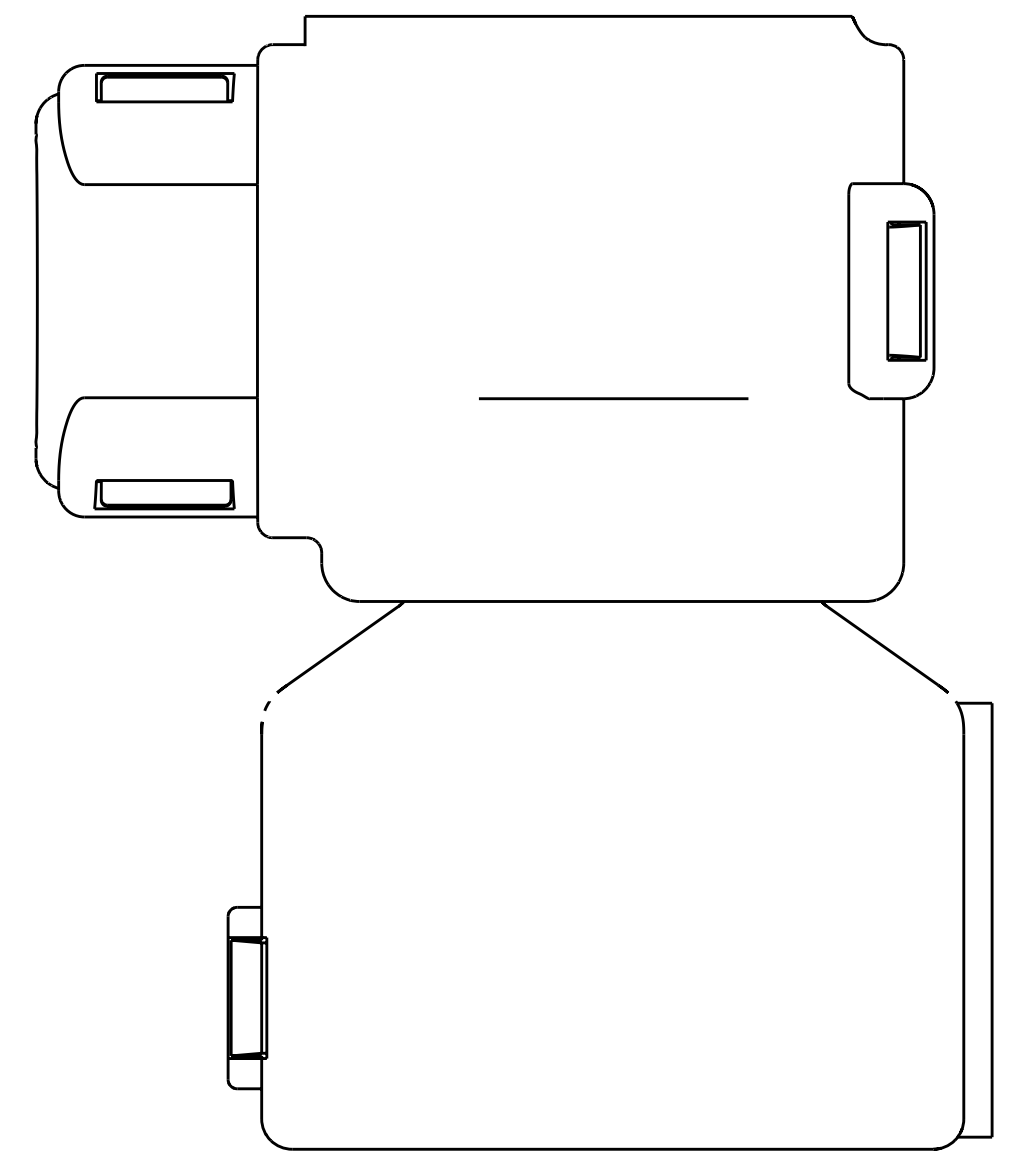
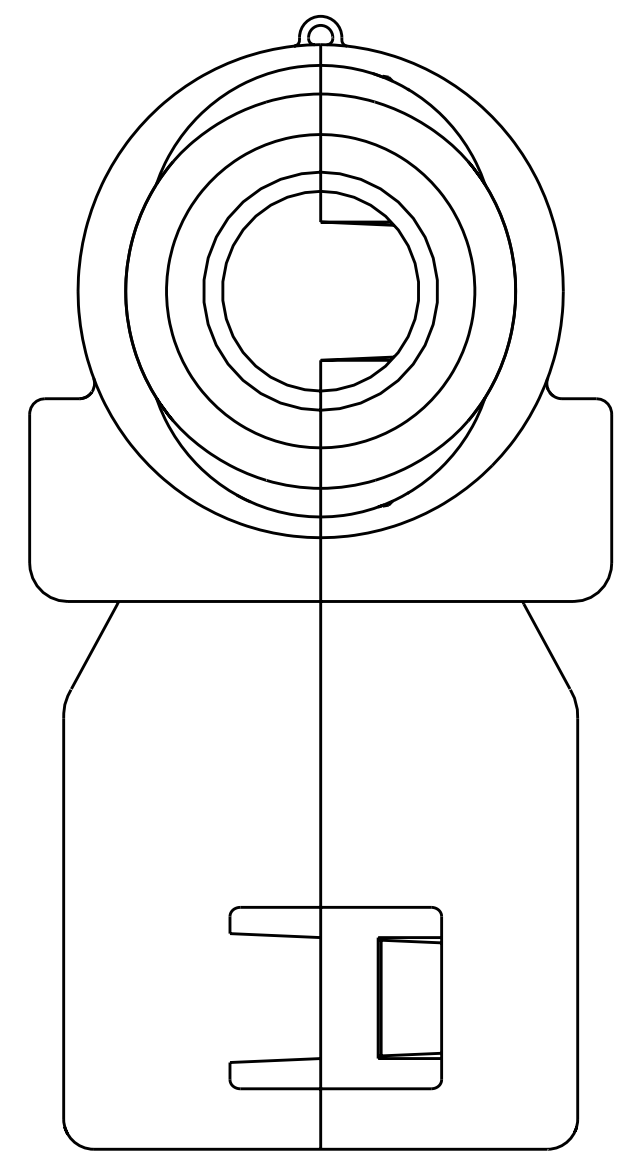
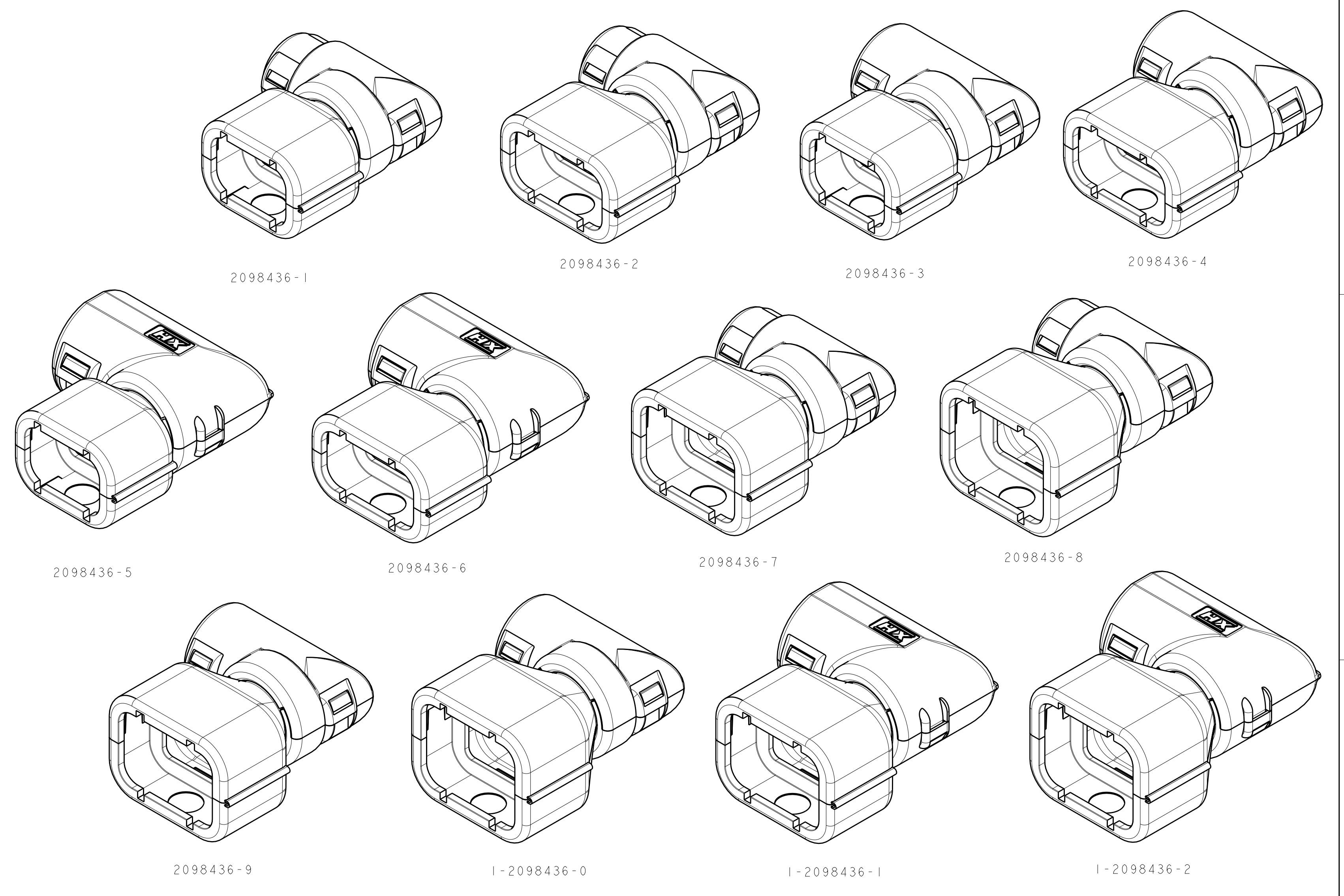


| LOC | DIST | REVISIONS | | | |
|-----|------|----------------------------|-------------|-----|------|
| P | LTR | DESCRIPTION | DATE | DWN | APVD |
| | | | | | |
| I | | PROPOSED | 11 JUN 2009 | RW | RB |
| A | | RELEASED PER ECO-09-017979 | 03 AUG 2009 | DD | RB |



SECTION A-A



1. ELBOW DESIGN ALLOWS FOR 360° EXIT ROTATION

| G | F | E | D | C | B | A | NW CONDUIT SIZE | NC CONDUIT SIZE | CONNECTOR POSITIONS | TYCO ELECTRONICS PART NO. |
|------|------|------|------|------|------|------|-----------------|-----------------|---------------------|---------------------------|
| 16.5 | 10.6 | 45.8 | 27.7 | 22.2 | 22.5 | 17.0 | 13 | 16 | 6 | 1-2098436-2 |
| 16.5 | 10.6 | 43.8 | 27.7 | 22.2 | 20.6 | 15.1 | 13 | 16 | 4 | 1-2098436-1 |
| 13.5 | 7.2 | 42.1 | 27.7 | 22.2 | 22.5 | 17.0 | 10 | 12 | 6 | 1-2098436-0 |
| 13.5 | 7.2 | 40.1 | 27.7 | 22.2 | 20.6 | 15.1 | 10 | 12 | 4 | 2098436-9 |
| 10.4 | 7.2 | 42.1 | 27.7 | 22.2 | 22.5 | 17.0 | 7.5 | 08 | 6 | 2098436-8 |
| 10.4 | 7.2 | 40.1 | 27.7 | 22.2 | 20.6 | 15.1 | 7.5 | 08 | 4 | 2098436-7 |
| 16.5 | 10.6 | 42.7 | 27.3 | 21.6 | 17.1 | 11.6 | 13 | 16 | 3 | 2098436-6 |
| 16.5 | 10.6 | 40.2 | 23.2 | 17.5 | 17.0 | 11.6 | 13 | 16 | 2 | 2098436-5 |
| 13.5 | 7.2 | 39.0 | 27.3 | 21.6 | 17.1 | 11.6 | 10 | 12 | 3 | 2098436-4 |
| 13.5 | 7.2 | 36.5 | 23.2 | 17.5 | 17.0 | 11.6 | 10 | 12 | 2 | 2098436-3 |
| 10.4 | 7.2 | 39.0 | 27.3 | 21.6 | 17.1 | 11.6 | 7.5 | 08 | 3 | 2098436-2 |
| 10.4 | 7.2 | 36.5 | 23.2 | 17.5 | 17.0 | 11.6 | 7.5 | 08 | 2 | 2098436-1 |

| | | | | | | | |
|-----------------------|--|--|--|---|--|--|--|
| DIMENSIONS: mm | | TOLERANCES UNLESS OTHERWISE SPECIFIED: 9 PLC ±0.5 5 PLC ± 4 PLC ± ANGLES ±1° FINISH - | | DWN: RUSTY WORTHINGTON CHK: ROGER BALTER APVD: ROGER BALTER DATE: 11 JUN 2009 NAME: ROGER BALTER PRODUCT SPEC: APPLICATION SPEC: WEIGHT: CUSTOMER DRAWING | | Tyco Electronics Harrisburg, PA 17105-3608 NAME: BACKSHELL, RIGHT-ANGLE, LOW PROFILE CAP CONNECTOR, NW/NC CONDUIT AMPSEAL 16 SIZE: A CAGE CODE: 100779 DRAWING NO: C=2098436 SCALE: 2:1 SHEET: 1 OF 1 REV: A | |
|-----------------------|--|--|--|---|--|--|--|