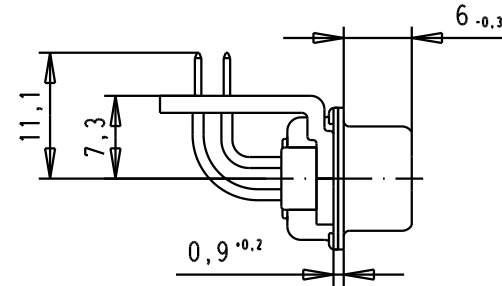
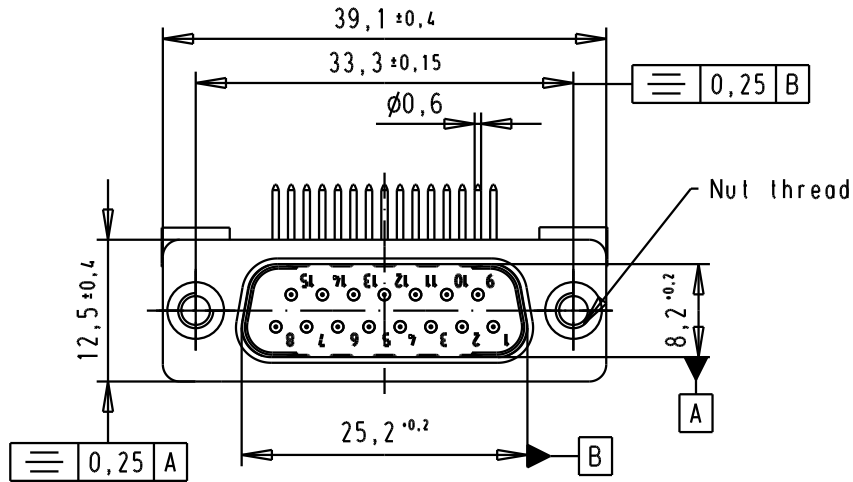
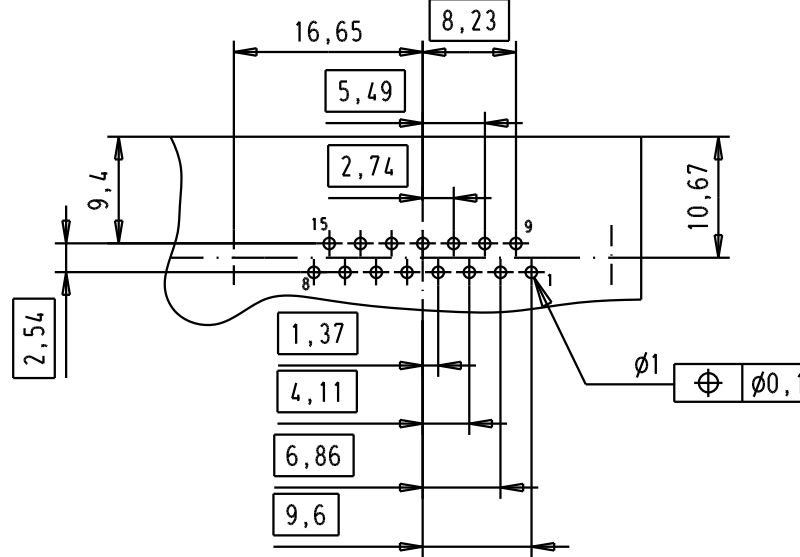
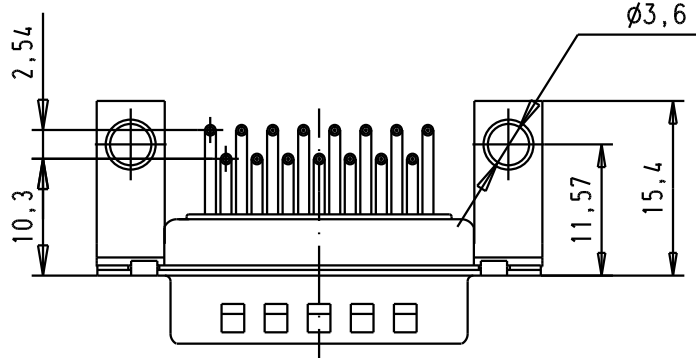


SPECIFICATION

Mating Cycles	500
Filter type	C
Capacitance	47pF ± 20%
Working Voltage	100v
Current Rating	7,5A
Insulation Resistance	>1GΩ



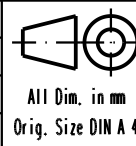
PCB Layout, Component side



FREQUENCY (MHz)	ATTENUATION dB
5	-
10	-
50	-
100	-
500	30dB
1000	35dB

D
C
B
A

		Dat.	Name
Detail.	8- JUL -02	CV	
Insp.			
Stand.			



D-Sub, male, angled, 15 Poles, turned solder pins, tin plated shell with dimples, brackets and clinch nuts

Magn Scale
1.5:1

09642247217	M3	33269	22/11/05	JMDR
09642247216	UNC 4-40	31058	8- JUL -02	CV
Part number	Nut thread	Mod.	Dat.	Name

HARTING EURL
F-95972 Paris



TB 0964224721x

Sub.

Blatt/ Page
3 / 4