

F

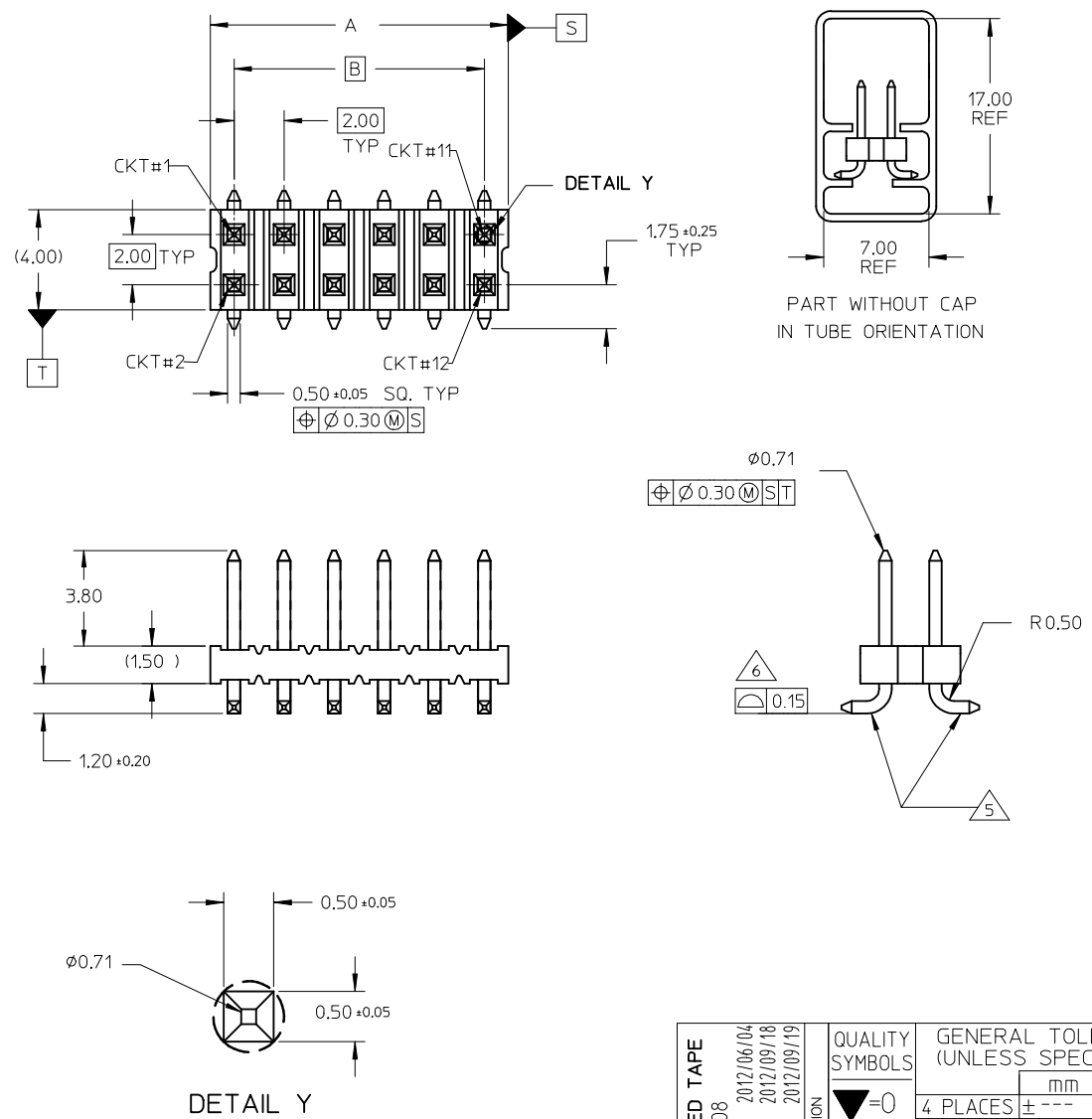
E

D

C

B

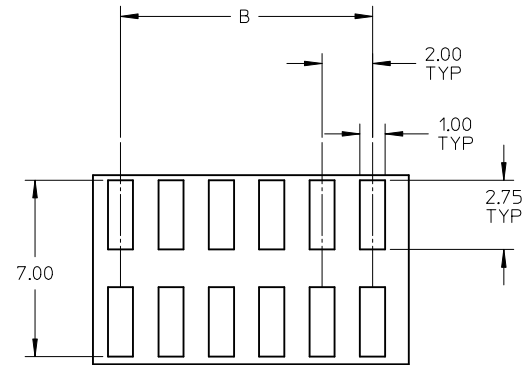
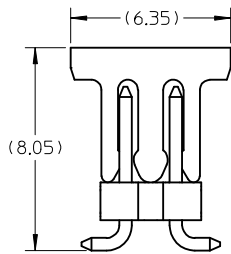
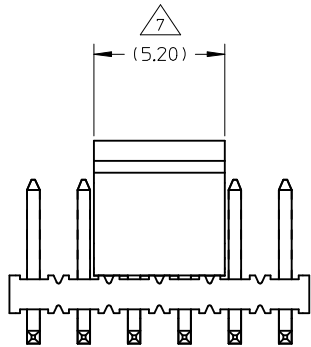
A



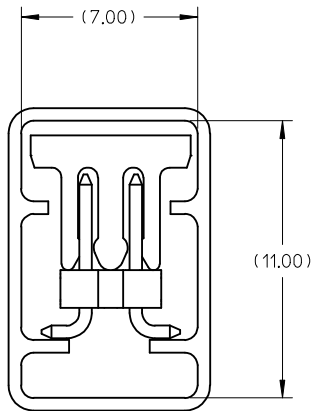
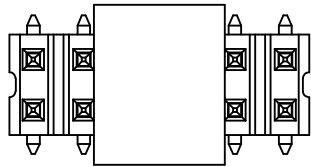
NOTE:

1. MATERIAL:  
HSG & CAP - NYLON, GLASS FILLED  
UL 94V-0, COLOUR BLACK
- PIN - 0.50 SQ PHOSPHOR BRONZE
2. PLATING OPTION:  
(1) 0.38um MIN GOLD PLATE AT CONTACT AREA,  
TIN PLATE AT SOLDER AREA,  
BOTH OVER NICKEL UNDERPLATE  
(2) 0.05 - 0.25um GOLD PLATE AT CONTACT AREA,  
TIN PLATE AT SOLDER AREA,  
BOTH OVER NICKEL UNDERPLATE
3. PIN PUSHOUT FORCE: 1KG MIN IN EITHER DIRECTION
4. PRODUCT SPEC PS-87761-100 APPLIES.
- 5 BEND DEPRESSION IS ACCEPTABLE SO LONG AS IT DOES NOT AFFECT THE OVERALL COPLANARITY OF TAIL.
- 6 COPLANARITY IS TO BE MEASURED BY RESTING THE SOLDER TAIL ON A FLAT SURFACE.
- 7 CAP TO BE LOCATED AS CENTRAL OF PART AS POSSIBLE  
TOP SURFACE OF CAP TO BE FLAT FOR THE PURPOSE OF PICK & PLACE BY VACUUM SUCTION NOZZLE.
8. FOR ILLUSTRATION PURPOSES, 12CKT IS SHOWN.
- 9 CKT 4 & 6 IS CUT FROM CKT 8 & 12 RESPECTIVELY  
ROUGH EDGES ARE EXPECTED ALONG THE CUTTING EDGES.
- 10 PART TO BE PACKED IN TRAY ONLY.
11. TUBE LENGTH IS 560MM REF STANDARD.

REVISE EMBOSSED TAPE EC NO: S2012-0908 DRWN:SKANG 2012/06/04 CHKD:ATSEE 2012/09/18 APPR:MLONG 2012/09/19	QUALITY SYMBOLS	GENERAL TOLERANCES (UNLESS SPECIFIED)		DIMENSION STYLE	SCALE	DESIGN UNITS	THIRD ANGLE PROJECTION
	▽=0 C=0	mm	INCH	MM ONLY	NTS	METRIC	
		4 PLACES ± --- ± ---		DRAWN BY	DATE	TITLE	
		3 PLACES ± --- ± ---		KSEE	2003/12/12	CUSTOM HEADER MGRID, 2MM DUAL ROW HDR. SMT	
	2 PLACES ± 0.2 ± ---		CHECKED BY	DATE			
	1 PLACE ± --- ± ---		KCL ING	2004/01/12			
	ANGULAR ± 3 °		APPROVED BY	DATE			
			SKTOH	2004/01/12			
			MATERIAL NO.	SEE TABLE	DOCUMENT NO.		
					MOLEX INCORPORATED		
					SD-87759-117		
					SHEET NO.		
					1 OF 7		
					THIS DRAWING CONTAINS INFORMATION THAT IS PROPRIETARY TO MOLEX INCORPORATED AND SHOULD NOT BE USED WITHOUT WRITTEN PERMISSION		

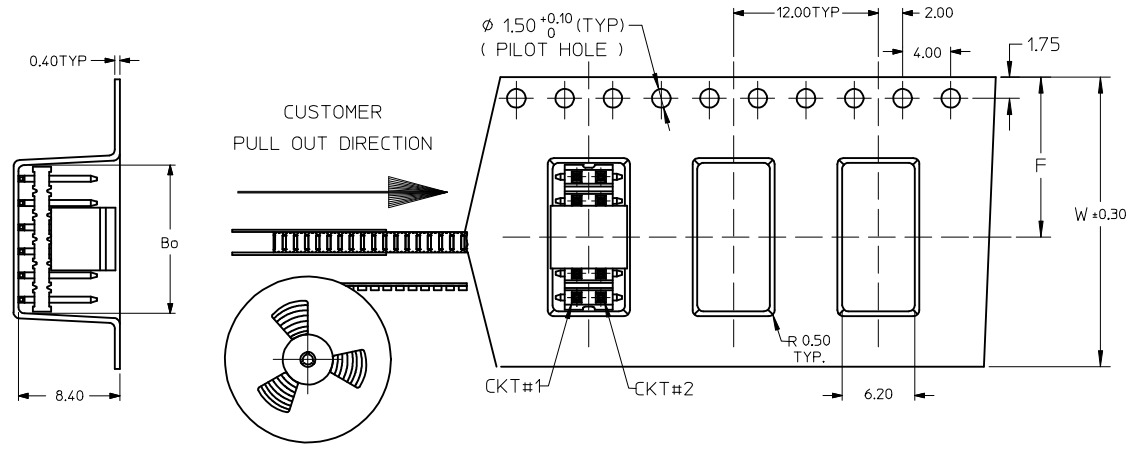


RECOMMENDED SOLDER PAD LAYOUT



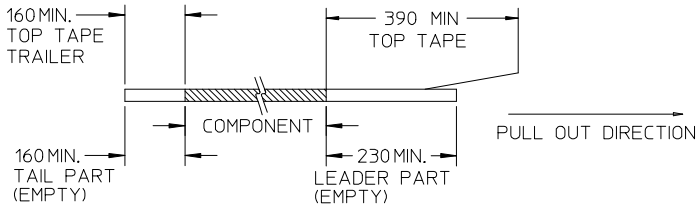
REVISE EMBOSSED TAPE EC NO: S2012-0908 DRWN:SKANG CHKD:ATSEE APPR:MLONG	2012/06/04 2012/09/18 2012/09/19	DESCRIPTION B7	QUALITY SYMBOLS	GENERAL TOLERANCES (UNLESS SPECIFIED)	DIMENSION STYLE	SCALE	DESIGN UNITS	THIRD ANGLE PROJECTION		
			▼=0 □=0	mm      INCH 4 PLACES ± --- ± --- 3 PLACES ± --- ± --- 2 PLACES ± 0.2 ± --- 1 PLACE ± --- ± --- ANGULAR ± 3 °	MM ONLY	NTS	METRIC	DRAWN BY: KSEE      DATE: 2003/12/12 CHECKED BY: KCLING      DATE: 2004/01/12 APPROVED BY: SKTOH      DATE: 2004/01/12	TITLE	CUSTOM HEADER MGRID, 2MM DUAL ROW HDR. SMT
			DRAFT WHERE APPLICABLE MUST REMAIN WITHIN DIMENSIONS	SEE TABLE	MATERIAL NO.	DOCUMENT NO.	SHEET NO.	MOLEX INCORPORATED SD-87759-117 2 OF 7		
			THIS DRAWING CONTAINS INFORMATION THAT IS PROPRIETARY TO MOLEX INCORPORATED AND SHOULD NOT BE USED WITHOUT WRITTEN PERMISSION		SIZE: A3					

EMBOSSED CARRIER TAPE TYPE "A"

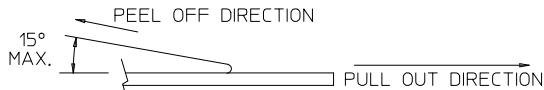


NOTES:

12. LEADER AND TRAILER TAPE



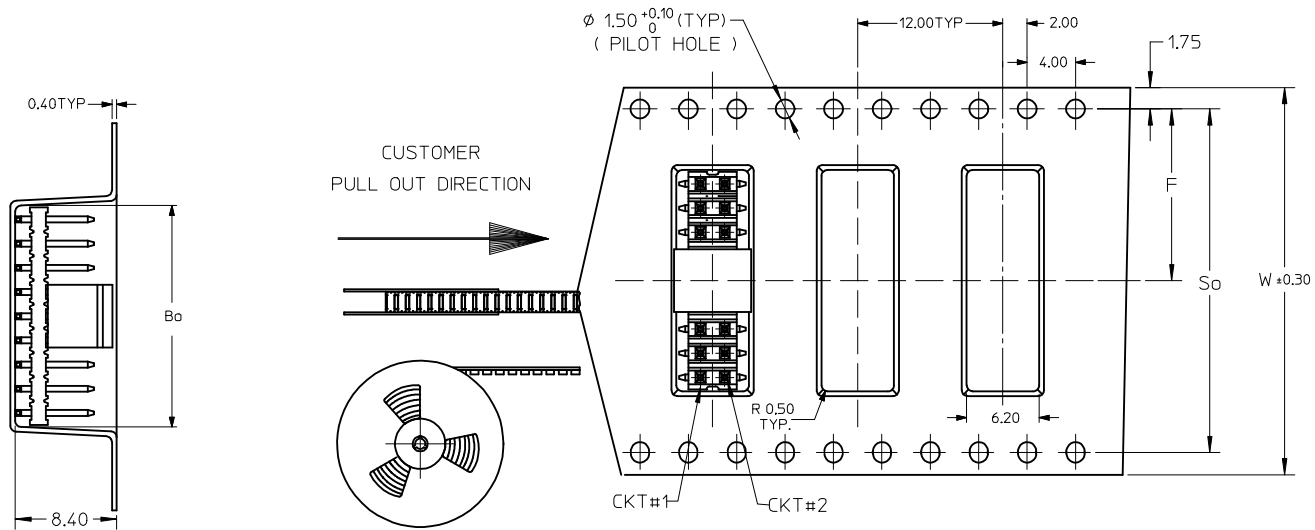
13. PEELING OFF FORCE OF THE TOP TAPE: 20-80gf.  
(PEELING DIRECTION AS SHOWN IN FOLLOWING FIGURE)



- 14. PACKAGING STANDARD IS AS PER EIA-481.
- 15. TAPE & REEL QUANTITY = SEE TABLE
- 16. THE TAPE IS TREATED FOR ANTI-STATIC

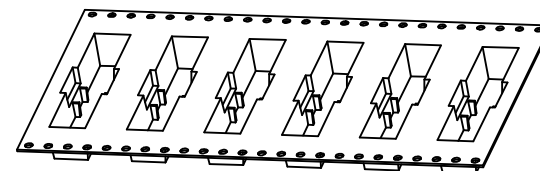
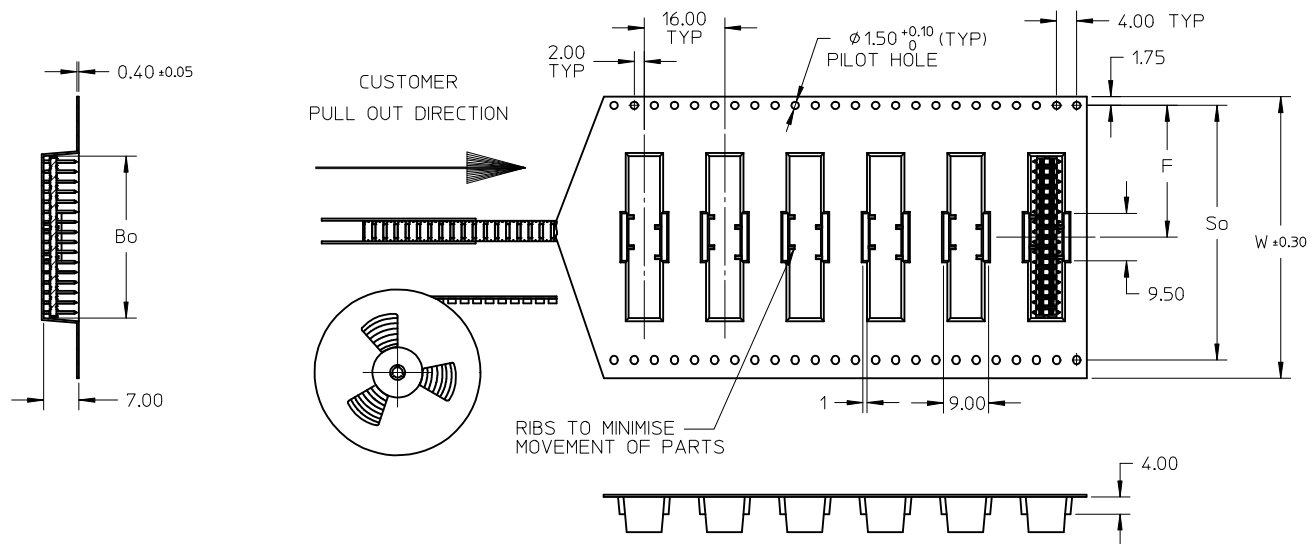
REVISE EMBOSSED TAPE EC NO: S2012-0908 DRWN:SKANG CHKD:ATSEE APPR:MLONG 2012/06/04 2012/09/18 2012/09/19	DESCRIPTION B7	QUALITY SYMBOLS ▽=0 ▽=0	GENERAL TOLERANCES (UNLESS SPECIFIED)		DIMENSION STYLE	SCALE	DESIGN UNITS	THIRD ANGLE PROJECTION		
					MM ONLY	NTS	METRIC			
			mm	INCH	DRAWN BY	DATE	TITLE			
			4 PLACES ± ---	± ---	KSEE	2003/12/12	CUSTOM HEADER MGRID, 2MM DUAL ROW HDR. SMT			
3 PLACES ± ---	± ---	CHECKED BY	DATE							
2 PLACES ± 0.2	± ---	KCL ING	2004/01/12	MOLEX INCORPORATED						
1 PLACE ± ---	± ---	APPROVED BY	DATE							
ANGULAR ± 3 °		SKTOH	2004/01/12	MATERIAL NO.		DOCUMENT NO.		SHEET NO.		
DRAFT WHERE APPLICABLE MUST REMAIN WITHIN DIMENSIONS		SEE TABLE		SD-87759-117		3 OF 7				
THIS DRAWING CONTAINS INFORMATION THAT IS PROPRIETARY TO MOLEX INCORPORATED AND SHOULD NOT BE USED WITHOUT WRITTEN PERMISSION										

EMBOSSED CARRIER TAPE TYPE "B"



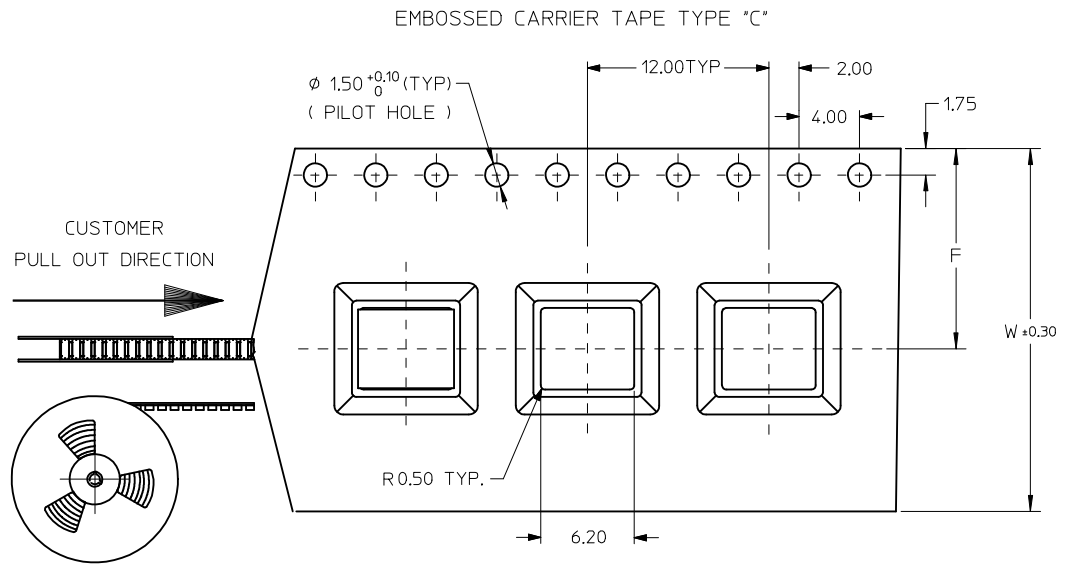
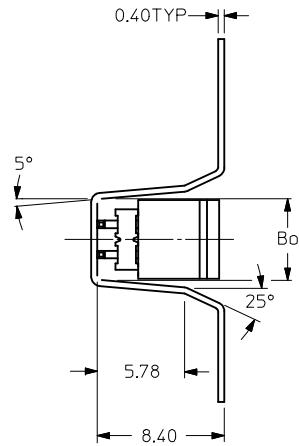
REVISE EMBOSSED TAPE EC NO: S2012-0908 DRWN:SKANG 2012/06/04 CHKD:ATSEE 2012/09/18 APPR:MLONG 2012/09/19	QUALITY SYMBOLS ▽=0 ◻=0	GENERAL TOLERANCES (UNLESS SPECIFIED)		DIMENSION STYLE MM ONLY	SCALE NTS	DESIGN UNITS METRIC	THIRD ANGLE PROJECTION
			mm	INCH	DRAWN BY KSEE	DATE 2003/12/12	TITLE CUSTOM HEADER MGRID, 2MM DUAL ROW HDR. SMT
		4 PLACES	± ---	± ---	CHECKED BY KCLING	DATE 2004/01/12	MOLEX INCORPORATED
		3 PLACES	± ---	± ---	APPROVED BY SKTOH	DATE 2004/01/12	
	ANGULAR ± 3 °		MATERIAL NO. SEE TABLE	DOCUMENT NO. SD-87759-117	SHEET NO. 4 OF 7		
B7	DESCRIPTION	DRAFT WHERE APPLICABLE MUST REMAIN WITHIN DIMENSIONS		SIZE A3	THIS DRAWING CONTAINS INFORMATION THAT IS PROPRIETARY TO MOLEX INCORPORATED AND SHOULD NOT BE USED WITHOUT WRITTEN PERMISSION		

EMBOSSED CARRIER TAPE TYPE 'B1'



REVISE EMBOSSED TAPE EC NO: S2012-0908 DRWN:SKANG 2012/06/04 CHKD:ATSEE 2012/09/18 APPR:MLONG 2012/09/19	DESCRIPTION REV	QUALITY SYMBOLS	GENERAL TOLERANCES (UNLESS SPECIFIED)		DIMENSION STYLE MM ONLY		SCALE NTS	DESIGN UNITS METRIC	THIRD ANGLE PROJECTION	
		$\nabla_F = 0$	4 PLACES	± ---	± ---	DRAWN BY	DATE	TITLE		
		$\nabla_E = 0$	3 PLACES	± ---	± ---	CHECKED BY	DATE	CUSTOM HEADER		
		$\nabla_B = 0$	2 PLACES	± 0.2	± ---	KCLING	2004/01/12	MGRID, 2MM DUAL ROW HDR. SMT		
			1 PLACE	± ---	± ---	APPROVED BY	DATE	<b>molex</b>		
			0 PLACE	±	±	SKTOH	2004/01/12			
			ANGULAR ± 3 °		MATERIAL NO.		DOCUMENT NO.		SHEET NO.	
			DRAFT WHERE APPLICABLE MUST REMAIN WITHIN DIMENSIONS		SEE TABLE		SD-87759-117		5 OF 7	
					SIZE A3	THIS DRAWING CONTAINS INFORMATION THAT IS PROPRIETARY TO MOLEX INCORPORATED AND SHOULD NOT BE USED WITHOUT WRITTEN PERMISSION				

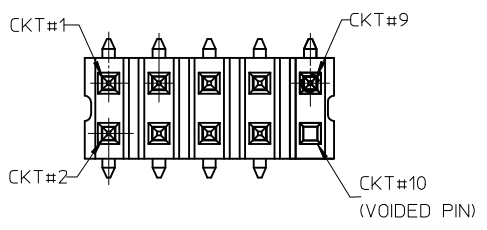
THIS TYPE OF CARRIER IS FOR CKT SIZE 8 AND BELOW.



REVISE EMBOSSED TAPE EC NO: S2012-0908 DRWN:SKANG 2012/06/04 CHKD:ATSEE 2012/09/18 APPR:MLONG 2012/09/19	DESCRIPTION REV	QUALITY SYMBOLS	GENERAL TOLERANCES (UNLESS SPECIFIED)	DIMENSION STYLE MM ONLY	SCALE NTS	DESIGN UNITS METRIC	THIRD ANGLE PROJECTION	
		▼=0 ◻=0	mm INCH	DRAWN BY DATE	TITLE	CUSTOM HEADER MGRID, 2MM DUAL ROW HDR. SMT		
		4 PLACES ± --- ± --- 3 PLACES ± --- ± --- 2 PLACES ± 0.2 ± --- 1 PLACE ± --- ± ---	ANGULAR ± 3 °	SKTOH 2004/01/12	MOLEX INCORPORATED	SD-87759-117		SHEET NO. 6 OF 7
		DRAFT WHERE APPLICABLE MUST REMAIN WITHIN DIMENSIONS	SEE TABLE	MATERIAL NO.	DOCUMENT NO.			
B7				SIZE A3	THIS DRAWING CONTAINS INFORMATION THAT IS PROPRIETARY TO MOLEX INCORPORATED AND SHOULD NOT BE USED WITHOUT WRITTEN PERMISSION			

	10	9	8	7	6	5	4	3	2	1						
	PART NUMBER WITHOUT CAP IN TUBE	PART NUMBER WITH CAP IN TUBE	PART NUMBER WITH CAP IN TAPE AND REEL.	PART NUMBER WITHOUT CAP IN TAPE AND REEL.	CKT SIZE	VOID CKTS	A	B	Bo	F	So	W	EMBOSSED TYPE	QTY/ REEL	PLATING OPTION	
F	87759-0414 $\triangle_{9/10}$	87759-0464	87759-0474	-	4	--	NA	2.00	5.40	11.50	-	24.00	C	750	1	
	87759-0614 $\triangle_{9}$	87759-0664	87759-0674	-	6	--	NA	4.00	7.20	11.50	-	24.00	C			
	87759-0814	87759-0864	87759-0874	-	8	--	7.90	6.00	8.20	11.50	-	24.00	C			
	87759-1014	87759-1064	87759-1074	-	10	--	9.90	8.00	10.20	11.50	-	24.00	A			
	87759-1002 $\triangle_A$	87759-1003 $\triangle_A$	87759-1004 $\triangle_A$	-	10	10	9.90	8.00	10.20	11.50	-	24.00	A			
E	87759-1214	87759-1264	87759-1274	-	12	--	11.90	10.00	12.20	11.50	-	24.00	A			
	87759-1414	87759-1464	87759-1474	-	14	--	13.90	12.00	14.20	11.50	-	24.00	A			
	87759-1614	87759-1664	87759-1674	-	16	--	15.90	14.00	16.20	14.20	28.40	32.00	B			
	87759-1814	87759-1864	87759-1874	-	18	--	17.90	16.00	18.20	14.20	28.40	32.00	B			
	87759-2014	87759-2064	87759-2074	-	20	--	19.90	18.00	20.20	14.20	28.40	32.00	B			
D	87759-2214	87759-2264	87759-2274	-	22	--	21.90	20.00	22.20	20.20	40.40	44.00	B			
	87759-2414	87759-2464	87759-2474	-	24	--	23.90	22.00	24.20	20.20	40.40	44.00	B			
	87759-2614	87759-2664	87759-2674	-	26	--	25.90	24.00	26.20	20.20	40.40	44.00	B			
	87759-2814	87759-2864	87759-2874	-	28	--	27.90	26.00	28.20	20.20	40.40	44.00	B			
	87759-3014	87759-3064	87759-3074	-	30	--	29.90	28.00	30.20	20.20	40.40	44.00	B			
	87759-3214	87759-3264	87759-3274	-	32	--	31.90	30.00	32.20	20.20	40.40	56.00	B			
	87759-3414	87759-3464	87759-3474	-	34	--	33.90	32.00	34.20	26.20	52.40	56.00	B			
	87759-3614	87759-3664	87759-3674	-	36	--	35.90	34.00	36.20	26.20	52.40	56.00	B			
C	-	-	-	87759-3679	36	--	35.90	34.00	36.20	26.20	52.40	56.00	B1			500
	87759-3814	87759-3864	87759-3874	-	38	--	37.90	36.00	38.20	26.20	52.40	56.00	B			750
	87759-4014	87759-4064	87759-4074	-	40	--	39.90	38.00	40.20	26.20	52.40	56.00	B			
	87759-4214	87759-4264	87759-4274	-	42	--	41.90	40.00	42.20	26.20	52.40	56.00	B			
	87759-4414	87759-4464	87759-4474	-	44	--	43.90	42.00	44.20	26.20	52.40	56.00	B			
	87759-4614	87759-4664	87759-4674	-	46	--	45.90	44.00	46.20	26.20	52.40	56.00	B			
	87759-4814	87759-4864	87759-4874	-	48	--	47.90	46.00	48.20	26.20	52.40	56.00	B			
B	87759-5014	87759-5064	87759-5074	-	50	--	49.90	48.00	50.20	34.20	68.40	72.00	B			

$\triangle_A$  NOTES:  
VOIDED PIN CKT#10 FOR PART#87759-1002



REVISE EMBOSSED TAPE  
EC NO: S2012-0908  
DRWN:SKANG 2012/06/04  
CHKD:ATSEE 2012/09/18  
APPR:MLONG 2012/09/19

QUALITY SYMBOLS  
▽=0  
◻=0

DESCRIPTION

REV B7

GENERAL TOLERANCES (UNLESS SPECIFIED)

	mm	INCH
4 PLACES	± ---	± ---
3 PLACES	± ---	± ---
2 PLACES	± 0.2	± ---
1 PLACE	± ---	± ---

ANGULAR ± 3 °

DRAFT WHERE APPLICABLE  
MUST REMAIN WITHIN DIMENSIONS

DIMENSION STYLE  
MM ONLY

DRAWN BY: KSEE DATE: 2003/12/12

CHECKED BY: KCL ING DATE: 2004/01/12

APPROVED BY: SKTOH DATE: 2004/01/12

MATERIAL NO. SEE TABLE

SIZE A3

SCALE NTS

DESIGN UNITS METRIC

THIRD ANGLE PROJECTION

TITLE  
CUSTOM HEADER  
MGRID, 2MM DUAL ROW HDR.  
SMT

MOLEX MOLEX INCORPORATED

DOCUMENT NO. SD-87759-117

SHEET NO. 7 OF 7

THIS DRAWING CONTAINS INFORMATION THAT IS PROPRIETARY TO MOLEX INCORPORATED AND SHOULD NOT BE USED WITHOUT WRITTEN PERMISSION

F

E

D

C

B

A

F

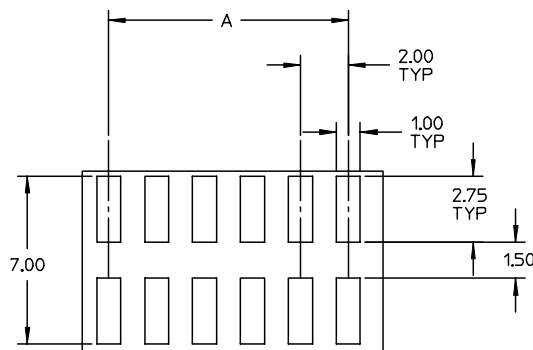
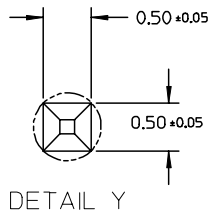
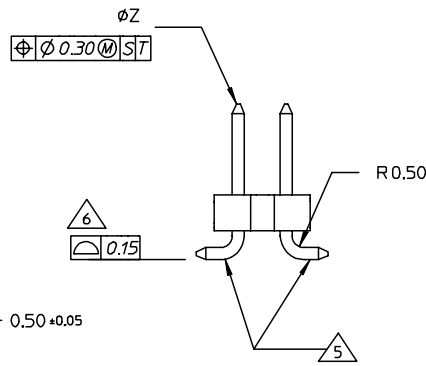
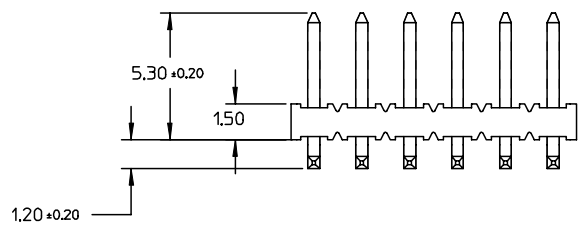
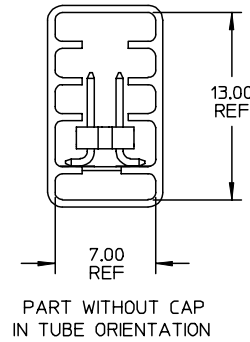
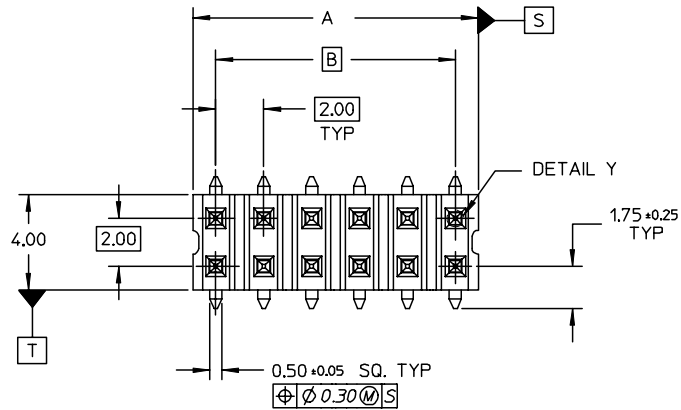
E

D

C

B

A



RECOMMENDED SOLDER PAD LAYOUT

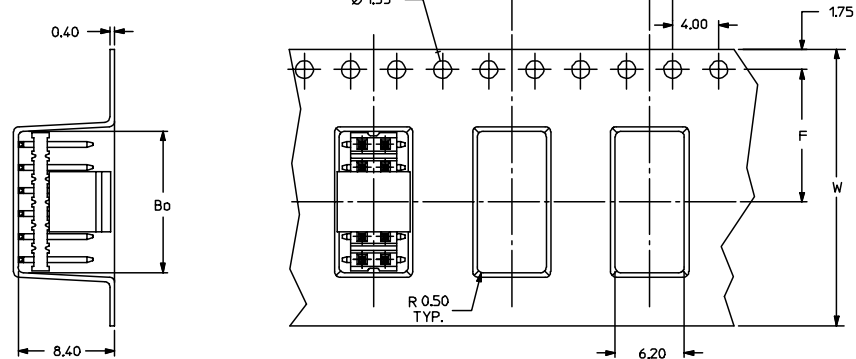
NOTE:

- MATERIAL:  
HSG & CAP - HIGH TEMPERATURE THERMOPLASTIC, UL 94V-0, COLOUR BLACK  
  
PIN - 0.50 SQ PHOSPHOR BRONZE
- PLATING:  
\*\*84 - 0.38um MIN GOLD PLATE AT CONTACT AREA, TIN PLATE AT SOLDER AREA, BOTH OVER NICKEL UNDERPLATE  
  
\*\*85 - 0.76um MIN GOLD PLATE AT CONTACT AREA, TIN PLATE AT SOLDER AREA, BOTH OVER NICKEL UNDERPLATE  
  
(\*\* - REPRESENTS DIFFERENT CKT SIZE, SEE TABLE AT SHT 3)
- PIN PUSHOUT FORCE: 1KG MIN IN EITHER DIRECTION
- PRODUCT SPEC PS-87761-100 APPLIES.
- BEND DEPRESSION IS ACCEPTABLE SO LONG AS IT DOES NOT AFFECT THE OVERALL COPLANARITY OF TAIL.
- COPLANARITY IS TO BE MEASURED BY RESTING THE SOLDER TAIL ON A GAUGE SURFACE.
- CAP TO BE LOCATED AS CENTRAL OF PART AS POSSIBLE  
TOP SURFACE OF CAP TO BE FLAT FOR THE PURPOSE OF PICK & PLACE BY VACUUM SUCTION NOZZLE.
- FOR ILLUSTRATION PURPOSES, 12CKT IS SHOWN, 18CKT IS SHOWN ON SHT 2 FOR TAPE & REEL.
- TUBE LENGTH IS 560MM REF STANDARD.

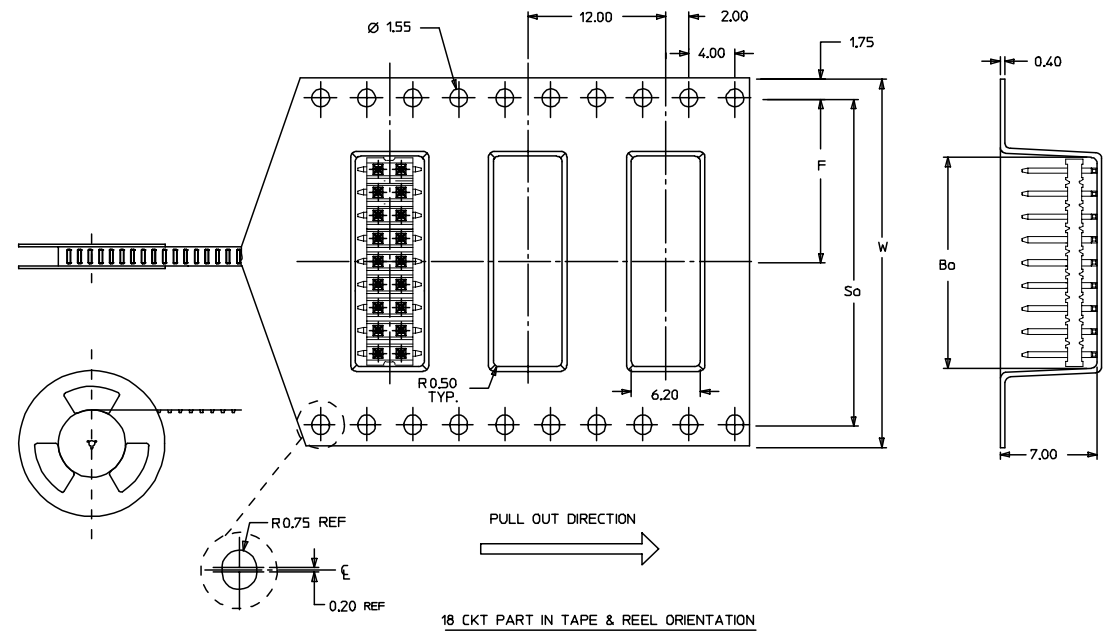
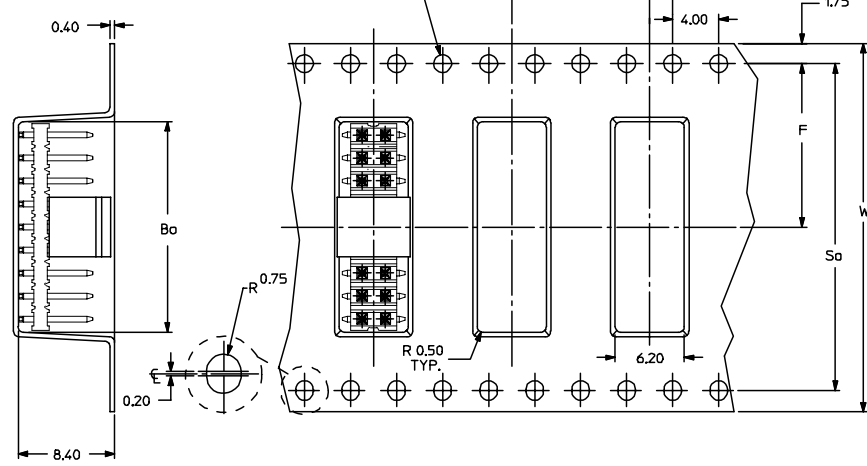
EC NO: S2004-0293 DRWN:KSEE 2004/01/30 CHKD:KCLING 2004/01/30 APPR:SKTOH 2004/02/05	QUALITY SYMBOLS ▼ = 0 ▽ = 0	GENERAL TOLERANCES (UNLESS SPECIFIED)		SCALE NTS	DESIGN UNITS METRIC	THIRD ANGLE PROJECTION	REVISE ON CAD ONLY
		mm	INCH	DIMENSION STYLE MM ONLY		TITLE SALES DRAWING MGRID 2MM DUAL ROW SMT HDR	
DESCRIPTION A	4 PLACES ± --- ± ---	DRAFT WHERE APPLICABLE MUST REMAIN WITHIN DIMENSIONS		DRAWN BY KSEE	DATE 2003/12/23	MOLEX INCORPORATED	
	3 PLACES ± --- ± --- 2 PLACES ± 0.2 ± --- 1 PLACE ± --- ± ---	ANGULAR ± 3°		CHECKED BY KCLING	DATE 2004/01/12	MATERIAL NO. SEE TABLE	DOCUMENT NO. SD-87759-215
				APPROVED BY SKTOH		DATE 2004/01/12	
THIS DRAWING CONTAINS INFORMATION THAT IS PROPRIETARY TO MOLEX INCORPORATED AND SHOULD NOT BE USED WITHOUT WRITTEN PERMISSION							



EMBOSSED CARRIER TAPE TYPE "A"



EMBOSSED CARRIER TAPE TYPE "B"



EC NO: S2004-0293 DRWN:KSEE 2004/01/30 CHKD:KCLING 2004/01/30 APPR:SKTOH 2004/02/05	QUALITY SYMBOLS ▽ = 0 ▽ = 0	GENERAL TOLERANCES (UNLESS SPECIFIED)		SCALE NTS	DESIGN UNITS METRIC	THIRD ANGLE PROJECTION	REVISE ON CAD ONLY
		mm	INCH	DIMENSION STYLE MM ONLY		TITLE SALES DRAWING MGRID 2MM DUAL ROW SMT HDR	
A	DESCRIPTION	4 PLACES	± ---	± ---	DRAWN BY KSEE	DATE 2003/12/23	MATERIAL NO. SEE TABLE
		3 PLACES	± ---	± ---	CHECKED BY KCLING	DATE 2004/01/12	
		2 PLACES	± 0.2	± ---	APPROVED BY SKTOH	DATE 2004/01/12	SHEET NO. 2 OF 3
		1 PLACE	± ---	± ---	THIS DRAWING CONTAINS INFORMATION THAT IS PROPRIETARY TO MOLEX INCORPORATED AND SHOULD NOT BE USED WITHOUT WRITTEN PERMISSION		
		ANGULAR ± 3 °		DRAFT WHERE APPLICABLE		MUST REMAIN WITHIN DIMENSIONS	

87759

PART NUMBER WITHOUT CAP IN TUBE	PART NUMBER WITHOUT CAP IN TAPE & REEL.	CKT SIZE	A	B	Bo	F	So	W	EMBOSSSED TYPE
87759-4014	87759-4084	40	39.90	38.00	40.20	26.20	52.40	56.00	B
87759-4015	87759-4085	40	39.90	38.00	40.20	26.20	52.40	56.00	B

F  
E  
D  
C  
B  
A

F  
E  
D  
C  
B  
A

EC NO: S2004-0293 DRWN:KSEE 2004/01/30 CHKD:KCLING 2004/01/30 APPR:SKTOH 2004/02/05 REV: A	QUALITY SYMBOLS	GENERAL TOLERANCES (UNLESS SPECIFIED)		SCALE NTS	DESIGN UNITS METRIC	THIRD ANGLE PROJECTION	REVISE ON CAD ONLY	
	DESCRIPTION ▽ = 0 ◻ = 0	mm	INCH	DIMENSION STYLE MM ONLY		TITLE SALES DRAWING MGRID 2MM DUAL ROW SMT HDR		
		4 PLACES	± ---	± ---	DRAWN BY KSEE	DATE 2003/12/23	MATERIAL NO. SEE TABLE	
		3 PLACES	± ---	± ---	CHECKED BY KCLING	DATE 2004/01/12	DOCUMENT NO. SD-87759-215	SHEET NO. 3 OF 3
		2 PLACES	± 0.2	± ---	APPROVED BY SKTOH		DATE 2004/01/12	INCORPORATED AND SHOULD NOT BE USED WITHOUT WRITTEN PERMISSION
	1 PLACE	± ---	± ---	DRAFT WHERE APPLICABLE MUST REMAIN WITHIN DIMENSIONS				