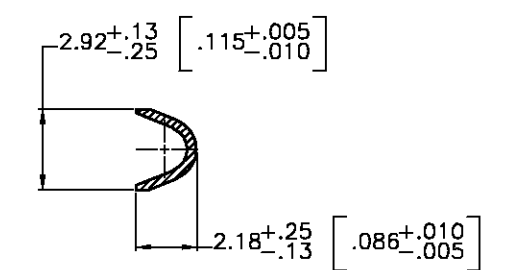
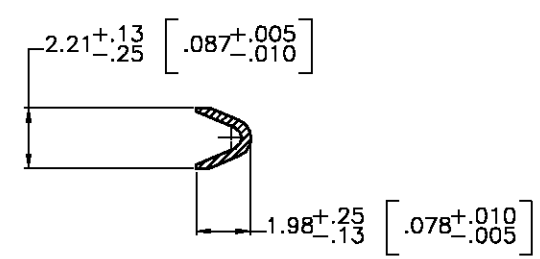
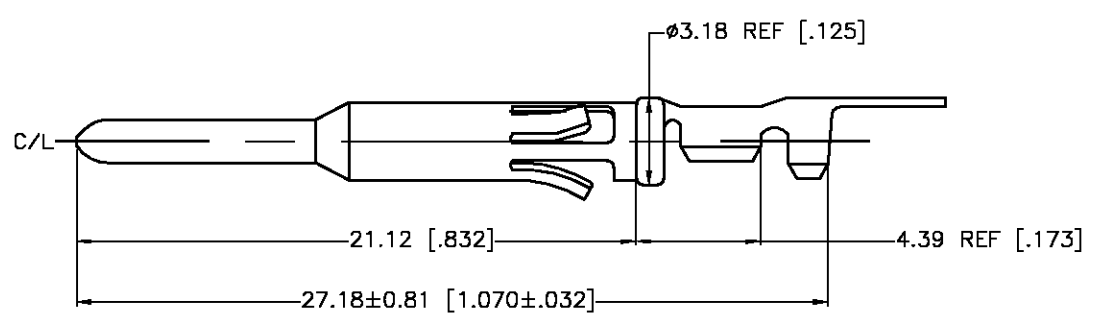
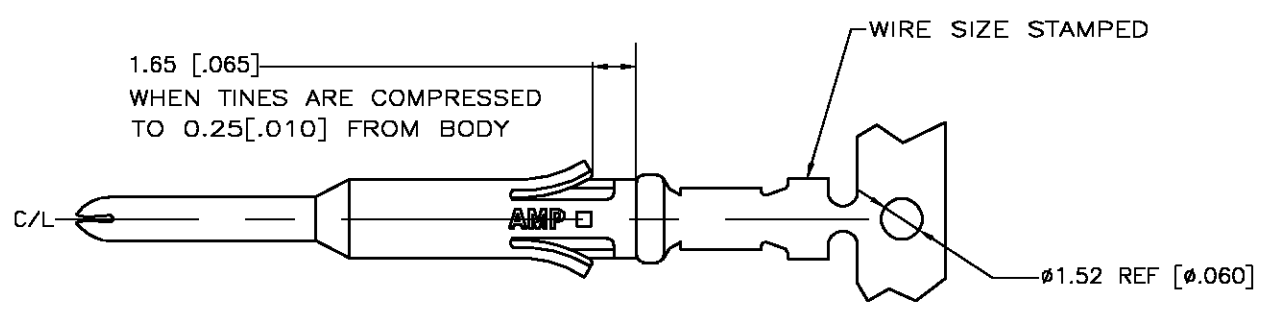


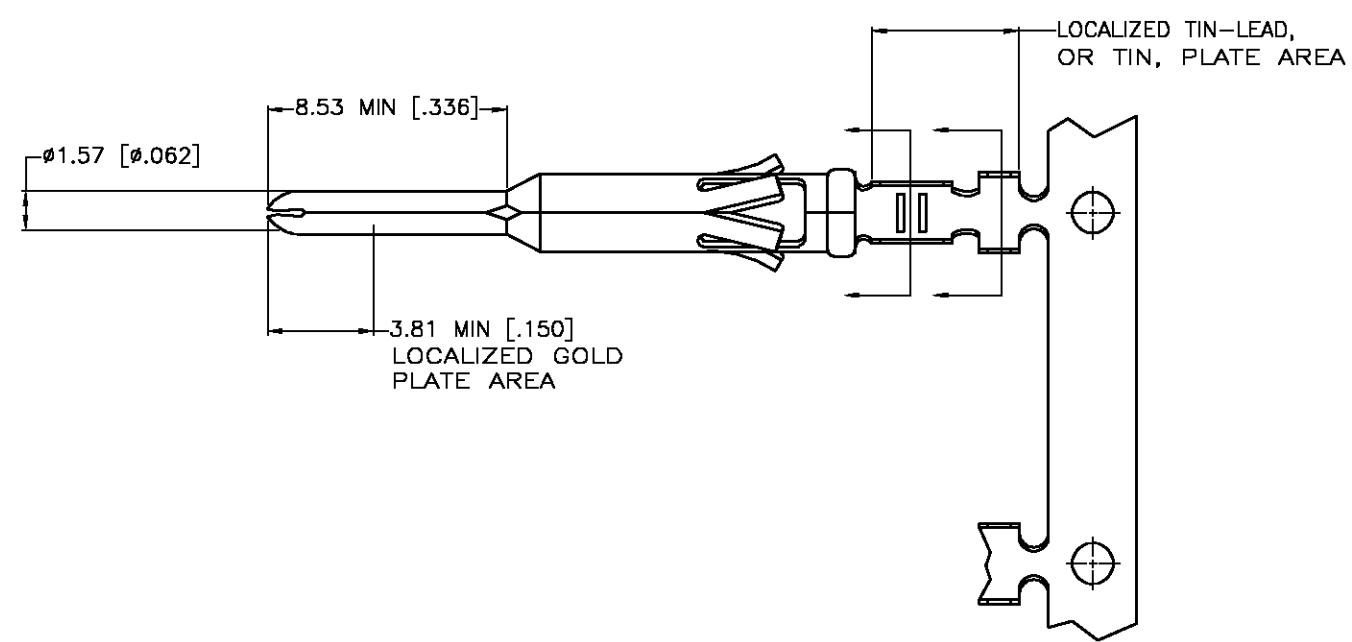
THIS DRAWING IS UNPUBLISHED. RELEASED FOR PUBLICATION
 © COPYRIGHT BY TYCO ELECTRONICS CORPORATION. ALL RIGHTS RESERVED.

LOC	DIST	REVISIONS			
P	LTR	DESCRIPTION	DATE	DWN	APVD
FT	0	G	REV PER EC 0G3B-0963-03	12/11/03	SS GS



SECTION B-B

SECTION A-A



DESCRIPTION	FINISH	
REVERSE REELED FOR MINI-APPLICATOR	4	1-66583-0
REVERSE REELED FOR MINI-APPLICATOR	4	66583-4
-	4	66583-3
REVERSE REELED FOR MINI-APPLICATOR	5	66583-2
-	5	66583-1

- WIRE RANGE 24-20 AWG.
 - INSULATION RANGE 1.02-2.03 [.040-.080] DIA.
 - FOR LOOSE PIECE PART SEE DWG 66593.
- ▲ 0.76 μm [.000030] MIN GOLD IN LOCALIZED GOLD PLATE AREA, 1.27 μm [.000050] MIN TIN-LEAD IN LOCALIZED TIN-LEAD PLATE AREA, BOTH OVER 1.27 μm [.000050] MIN NICKEL.
 - ▲ TIN PLATED.
 - ▲ GOLD PLATING PER MIL-G-45204, TIN PER MIL-T-10727 AND NICKEL PER QQ-N-290.
 - ▲ 0.76 μm [.000030] MIN GOLD IN LOCALIZED GOLD PLATE AREA, 1.27 μm [.000050] MIN TIN IN LOCALIZED TIN PLATE AREA, BOTH OVER 1.27 μm [.000050] MIN NICKEL.

THIS DRAWING IS A CONTROLLED DOCUMENT.		DWN V. FURLER 16MAY2003	Tyco Electronics Corporation Harrisburg, PA 17105	
DIMENSIONS: MM [INCHES]		CHK G. STEINHAUER 16MAY03	NAME	
		APVD G. STEINHAUER 16MAY03	CONTACT, PIN, STRIP, TYPE VI, MULTIMATE	
TOLERANCES UNLESS OTHERWISE SPECIFIED:		PRODUCT SPEC	-	
0 PLC ± -		APPLICATION SPEC	-	
1 PLC ± -		WEIGHT	-	
2 PLC ± 0.13 [.005]		SIZE	A3	CAGE CODE
3 PLC ± -		DRAWING NO	C-66583	
4 PLC ± -		RESTRICTED TO	-	
4 PLC ANGLES ± -		SCALE	NTS	
MATERIAL	FINISH	SHEET		1 OF 1
BRASS MIL-C-50	SEE TABLE	REV		G
CUSTOMER DRAWING		SCALE NTS SHEET 1 OF 1 REV G		