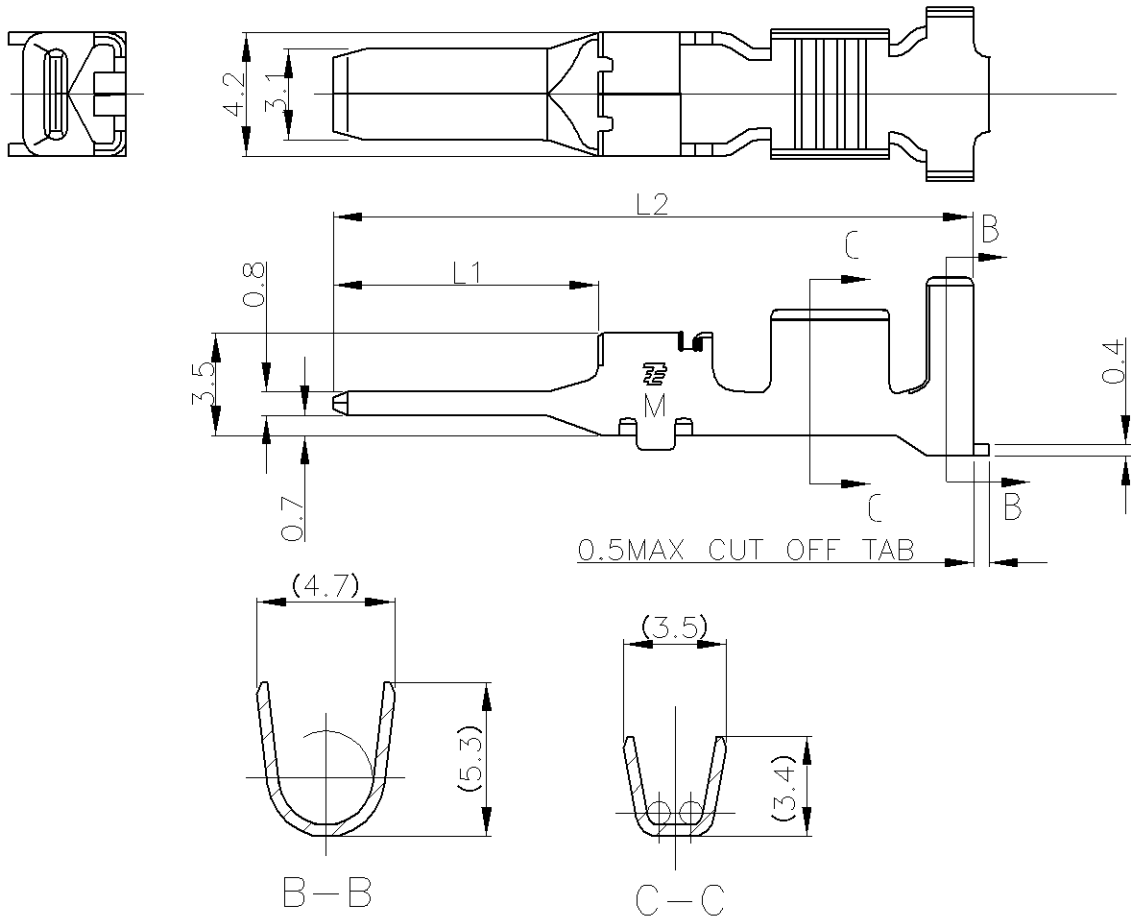


LOC	DIST	REVISIONS					
J	—	P	LTR	DESCRIPTION	DATE	DWN	APVD
		B		REVISED	11MAY2011	M.M	N.Y



- 注)
- 1.一般公差：±0.25
  - 2.材料：銅合金全面Niめっき1.3μm以上  
接点部金めっき0.38μm以上めっき
  - 3.適用電線：AWG#16-#14(被覆外径φ2.0~φ3.75)

M SIZE

NOTES)

- 1.GENERAL TOLERANCE:±0.25
- 2.MATERIAL:COPPER ALLOY,FINISH:OVER NI PLATING 1.3μm MIN.  
(CONTACT AREA) 0.38 μm MIN GOLD PLATING
- 3.APPLICABLE WIRE:AWG#16-#14 (INS DIAφ2.0~φ3.75)

25.5	12.75	1-1747501-2
21.8	9.05	1747501-2
L2	L1	PART NUMBER

DIMENSIONS: mm  TOLERANCES UNLESS OTHERWISE SPECIFIED: SEE NOTE  0 PLC ± - 1 PLC ± - 2 PLC ± - 3 PLC ± - 4 PLC ± - ANGLES ± -	DWN	T.KUDO	26AUG2004	MATERIAL	COPPER ALLOY	FINISH	SEE NOTE				
	CHK	D.MITSUGI	26AUG2004	TE Connectivity							
	APVD	D.MITSUGI	26AUG2004								
	PRODUCT SPEC	108-78182			NAME						
APPLICATION SPEC	114-5369			DYNAMIC D-4200 TAB CONTACT M SIZE LOOSE PIECE							
WEIGHT	-			SIZE	A4	CAGE CODE	00779	DRAWING NO	C-1747501	RESTRICTED TO	-
CUSTOMER DRAWING				SCALE	4:1	SHEET	1 of 1	REV	B		

THIS DRAWING IS UNPUBLISHED. MAY, 2011. ALL RIGHTS RESERVED. BY Tyco Electronics Japan G.K.