

Technical Data Sheet

Mini Top LEDs (Reverse Gull Wing)

65-21/GHC-YS2U1G/2AA

Features

- White SMT package.
- Optical indicator.
- Wide viewing angle.
- Soldering methods: IR reflow soldering
- Available on tape and reel
- Pb-free
- The product itself will remain within RoHS compliant version.



Descriptions

The 65-21 series is available in soft orange, green, blue, and yellow. Due to the package design, the LED has wide viewing angle and optimized light coupling by inter reflector. Besides, LED is mounted top down and emits through the PCB. This feature makes the ideal for light pipe application.

Applications

- Optical indicators.
- Coupling into light guides.
- Backlighting (LCD, cellular phones, switches, keys, displays, illuminated advertising, general lighting).
- Coupling into light guides; Interior automotive lighting (e.g. dashboard backlighting, etc.).

Device Selection Guide

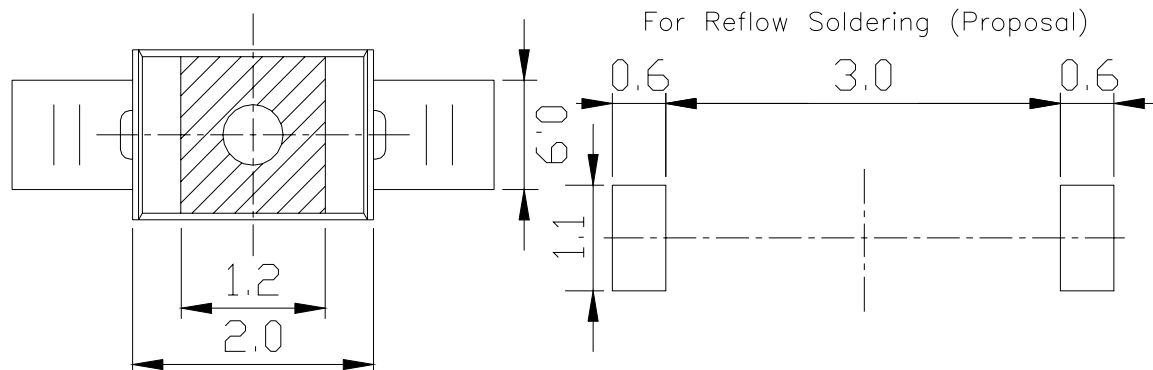
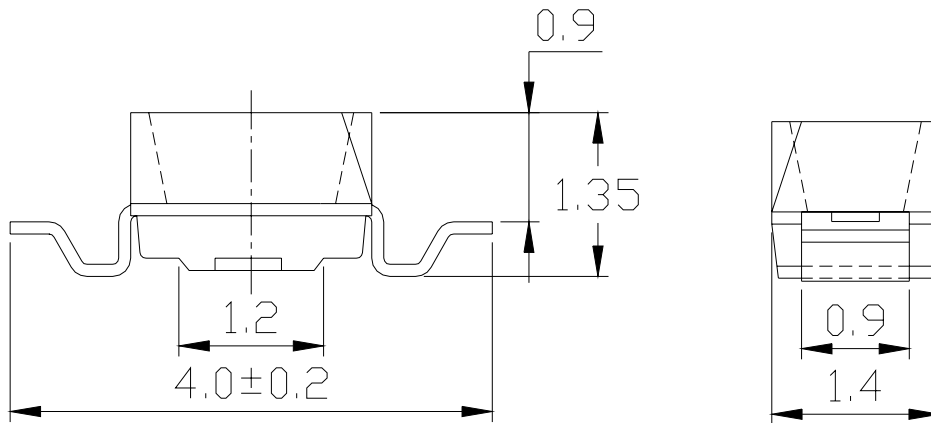
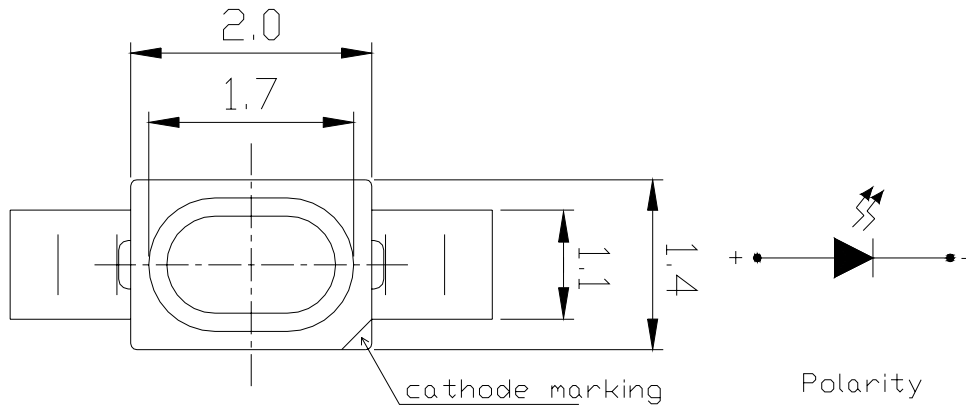
| Chip | Emitted Color | Resin Color |
|----------|-----------------|-------------|
| Material | | |
| AlGaInP | Brilliant Green | Water Clear |

Technical Data Sheet

Mini Top LEDs (Reverse Gull Wing)

65-21/GHC-YS2U1G/2AA

Package Outline Dimensions



Note: Tolerance unless mentioned is ± 0.1 mm; Unit = mm

Technical Data Sheet
Mini Top LEDs (Reverse Gull Wing)
65-21/GHC-YS2U1G/2AA
Absolute Maximum Ratings (Ta=25°C)

| Parameter | Symbol | Rating | Unit |
|---|------------------|---|------|
| Reverse Voltage | V _R | 5 | V |
| Forward Current | I _F | 25 | mA |
| Power Dissipation | P _d | 100 | mW |
| Peak Forward Current (Duty 1/10 @1KHz) | I _{FP} | 95 | mA |
| Electrostatic Discharge (HBM) | ESD | 150 | V |
| Operating Temperature | T _{opr} | -40 ~ +85 | °C |
| Storage Temperature | T _{stg} | -40 ~ +90 | °C |
| Soldering Temperature | T _{sol} | Reflow Soldering : 260 °C for 10 sec. Hand Soldering : 350 °C for 3 sec. | |

Electro-Optical Characteristics (Ta=25°C)

| Parameter | Symbol | Min. | Typ. | Max. | Unit | Condition |
|---------------------------------|-------------------|-------|-------|-------|------|----------------------|
| Luminous Intensity | I _v | 225 | ----- | 565 | mcd | I _F =20mA |
| Viewing Angle | 2θ _{1/2} | ----- | 120 | ----- | deg | I _F =20mA |
| Peak Wavelength | λ _p | ----- | 518 | ----- | nm | I _F =20mA |
| Dominant Wavelength | λ _d | 520 | ----- | 535 | nm | I _F =20mA |
| Spectrum Radiation Bandwidth | Δλ | ----- | 35 | ----- | nm | I _F =20mA |
| Forward Voltage | V _F | 2.70 | ----- | 3.70 | V | I _F =20mA |
| Reverse Current | I _R | ----- | ----- | 10 | μA | V _R =5V |

Notes:

1. Tolerance of Luminous Intensity: ±11%
2. Tolerance of Dominant Wavelength: ±1nm
3. Tolerance of Forward Voltage: ±0.1V

Technical Data Sheet

Mini Top LEDs (Reverse Gull Wing)

65-21/GHC-YS2U1G/2AA

Bin Range of Dominant Wavelength

| Group | Bin | Min | Max | Unit | Condition |
|-------|-----|-----|-----|------|----------------------|
| Y | X | 520 | 525 | nm | I _F =20mA |
| | Y | 525 | 530 | | |
| | Z | 530 | 535 | | |

Bin Range of Luminous Intensity

| Bin | Min | Max | Unit | Condition |
|-----|-----|-----|------|----------------------|
| S2 | 225 | 285 | mcd | I _F =20mA |
| T1 | 285 | 360 | | |
| T2 | 360 | 450 | | |
| U1 | 450 | 565 | | |

Bin Range of Forward Voltage

| Group | Bin | Min | Max | Unit | Condition |
|-------|-----|------|------|------|----------------------|
| G | 34 | 2.70 | 2.80 | V | I _F =20mA |
| | 35 | 2.80 | 2.90 | | |
| | 36 | 2.90 | 3.00 | | |
| | 37 | 3.00 | 3.10 | | |
| | 38 | 3.10 | 3.20 | | |
| | 39 | 3.20 | 3.30 | | |
| | 40 | 3.30 | 3.40 | | |
| | 41 | 3.40 | 3.50 | | |
| | 42 | 3.50 | 3.60 | | |
| | 43 | 3.60 | 3.70 | | |

Notes:

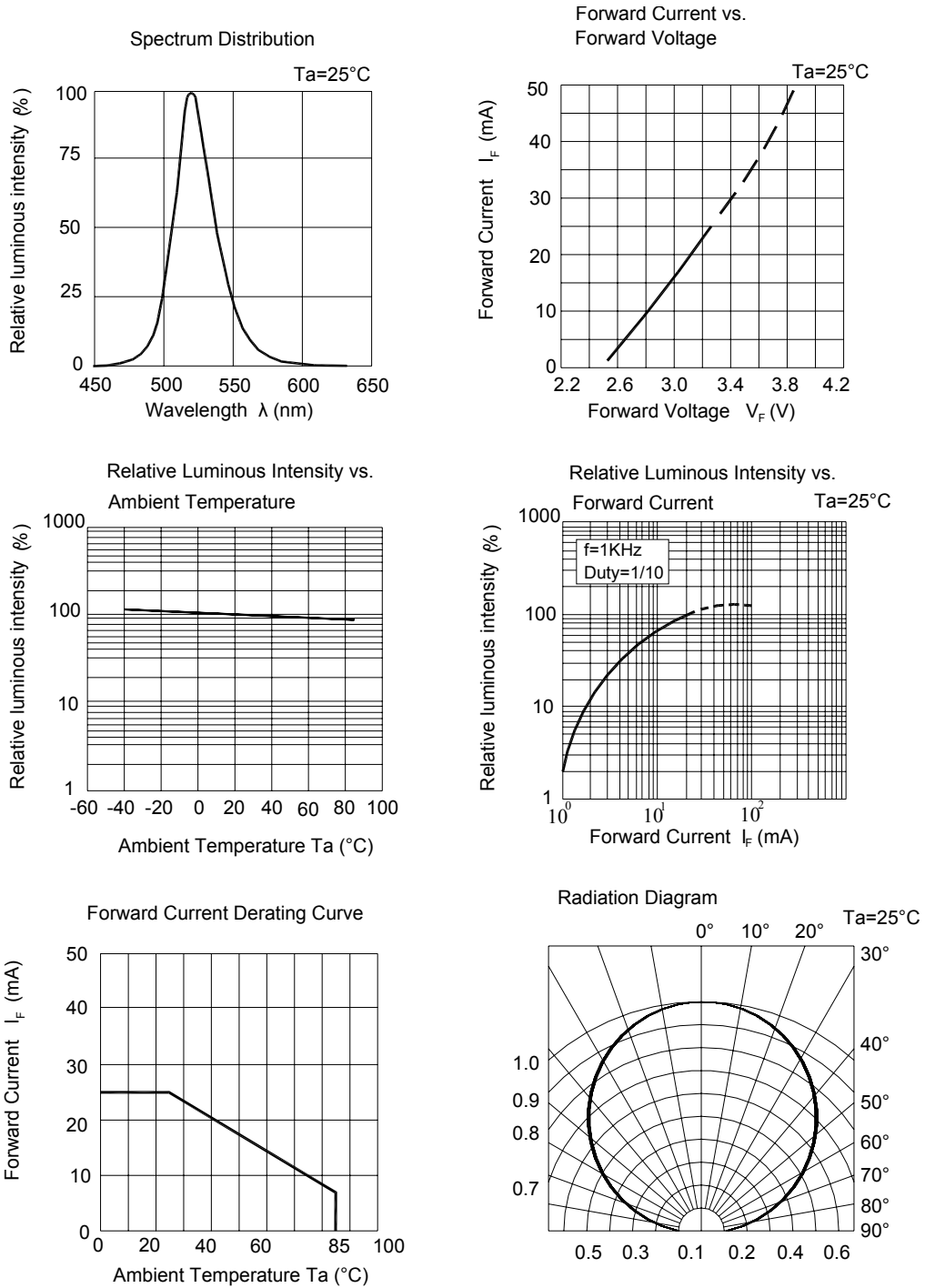
1. Tolerance of Luminous Intensity: ±11%
2. Tolerance of Dominant Wavelength: ±1nm
3. Tolerance of Forward Voltage: ±0.1V

Technical Data Sheet

Mini Top LEDs (Reverse Gull Wing)

65-21/GHC-YS2U1G/2AA

Typical Electro-Optical Characteristics Curves



Technical Data Sheet

Mini Top LEDs (Reverse Gull Wing)

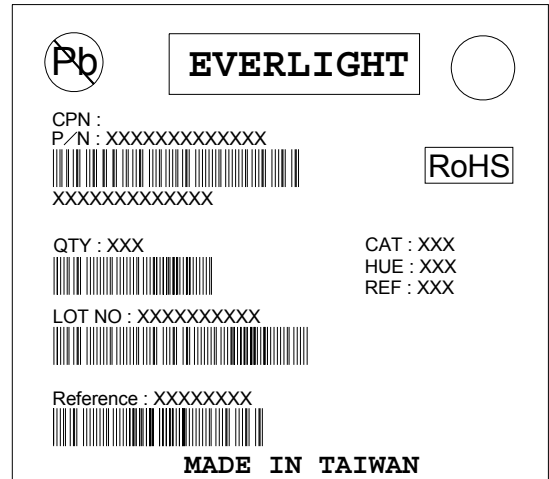
65-21/GHC-YS2U1G/2AA

Label Explanation

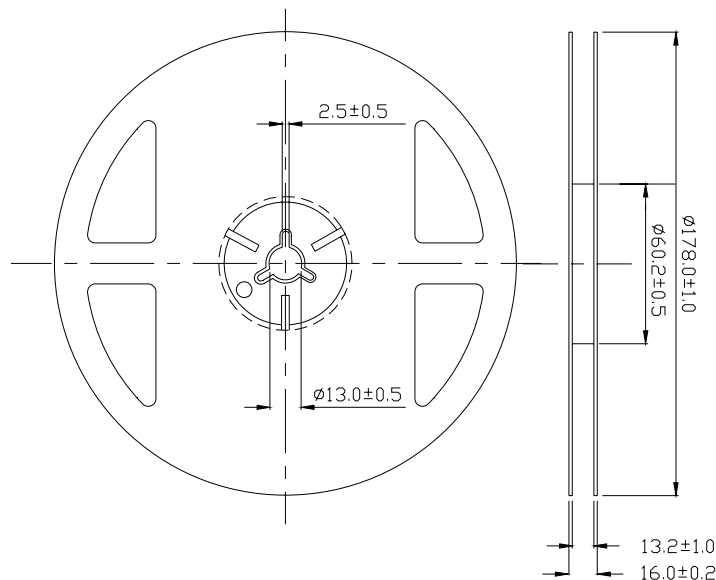
CAT: Luminous Intensity Rank

HUE: Dom. Wavelength Rank

REF: Forward Voltage Rank



Reel Dimensions



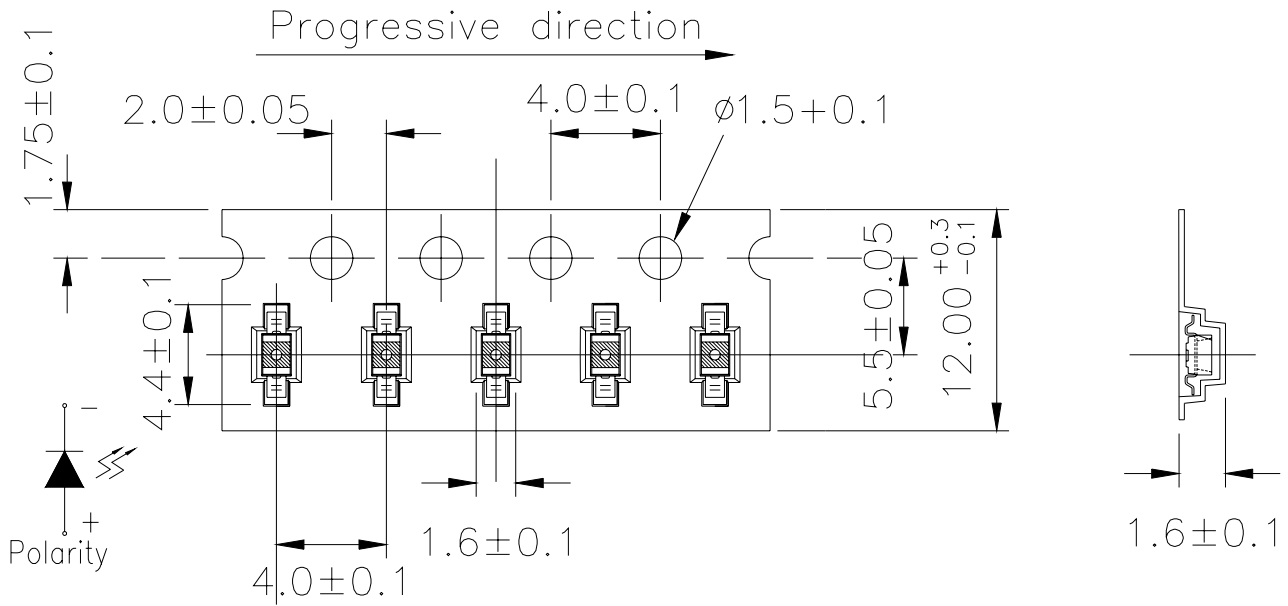
Note: Tolerance unless mentioned is ± 0.1 mm; Unit = mm

Technical Data Sheet

Mini Top LEDs (Reverse Gull Wing)

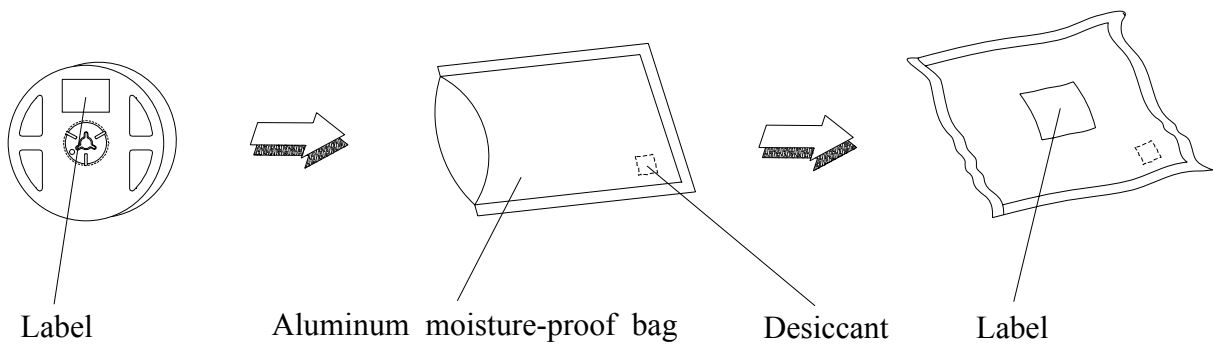
65-21/GHC-YS2U1G/2AA

Carrier Tape Dimensions: Loaded Quantity 2000 pcs Per Reel.



Note: Tolerance unless mentioned is ± 0.1 mm; Unit = mm

Moisture Resistant Packaging



Technical Data Sheet
Mini Top LEDs (Reverse Gull Wing)
65-21/GHC-YS2U1G/2AA
Reliability Test Items and Conditions

The reliability of products shall be satisfied with items listed below.

Confidence level : 90%

LTPD : 10%

| No. | Items | Test Condition | Test Hours/Cycles | Sample Size | Ac/Re |
|-----|----------------------------------|--|-------------------|-------------|-------|
| 1 | Reflow Soldering | Temp. : 260°C±5°C Min. 5sec. | 6 min | 22 PCS. | 0/1 |
| 2 | Temperature Cycle | H : +100°C 15min ∫ 5 min L : -40°C 15min | 300 Cycles | 22 PCS. | 0/1 |
| 3 | Thermal Shock | H : +100°C 5min ∫ 10 sec L : -10°C 5min | 300 Cycles | 22 PCS. | 0/1 |
| 4 | High Temperature Storage | Temp. : 100°C | 1000 Hrs. | 22 PCS. | 0/1 |
| 5 | Low Temperature Storage | Temp. : -40°C | 1000 Hrs. | 22 PCS. | 0/1 |
| 6 | DC Operating Life | I _F = 20 mA | 1000 Hrs. | 22 PCS. | 0/1 |
| 7 | High Temperature / High Humidity | 85°C / 85%RH | 1000 Hrs. | 22 PCS. | 0/1 |

Technical Data Sheet

Mini Top LEDs (Reverse Gull Wing)

65-21/GHC-YS2U1G/2AA

Precautions for Use

1. Over-current-proof

Customer must apply resistors for protection; otherwise slight voltage shift will cause big current change (Burn out will happen).

2. Storage

2.1 Do not open moisture proof bag before the products are ready to use.

2.2 Before opening the package: The LEDs should be kept at 30°C or less and 90%RH or less.

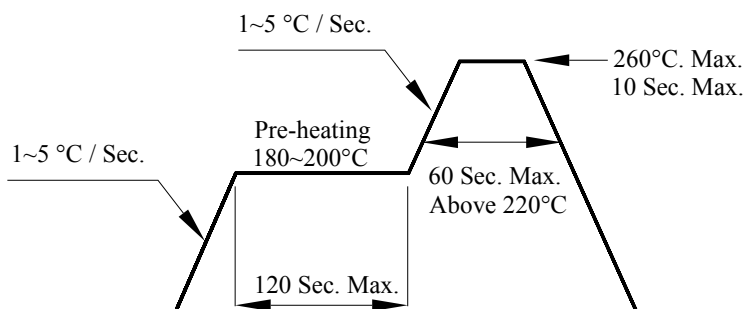
2.3 After opening the package: The LED's floor life is 1 year under 30°C or less and 60% RH or less. If unused LEDs remain, it should be stored in moisture proof packages.

2.4 If the moisture absorbent material (silica gel) has faded away or the LEDs have exceeded the storage time, baking treatment should be performed using the following conditions.

Baking treatment: 60±5°C for 24 hours.

3. Soldering Condition

3.1 Pb-free solder temperature profile



3.2 Reflow soldering should not be done more than two times.

3.3 When soldering, do not put stress on the LEDs during heating.

3.4 After soldering, do not warp the circuit board.

Technical Data Sheet

Mini Top LEDs (Reverse Gull Wing)

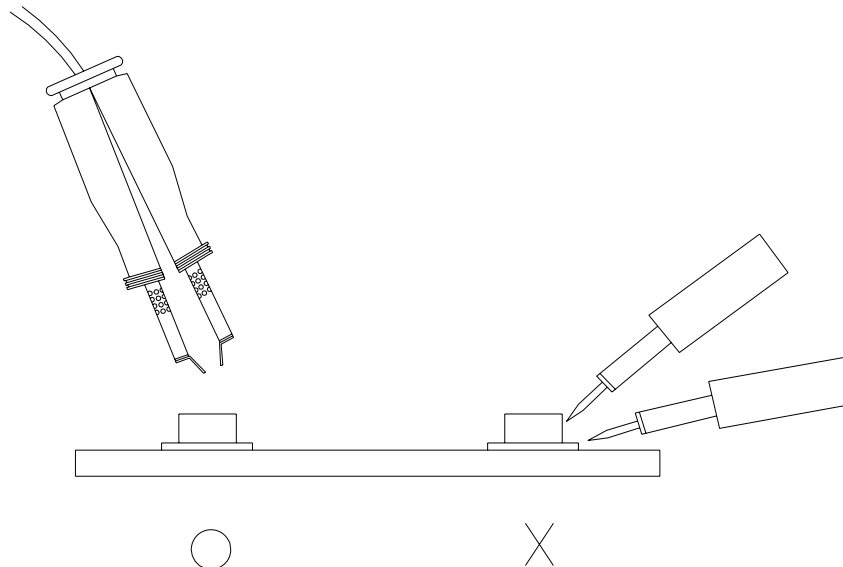
65-21/GHC-YS2U1G/2AA

4. Soldering Iron

Each terminal is to go to the tip of soldering iron temperature less than 280°C for 3 seconds within once in less than the soldering iron capacity 25W. Leave two seconds and more intervals, and do soldering of each terminal. Be careful because the damage of the product is often started at the time of the hand solder.

5. Repairing

Repair should not be done after the LEDs have been soldered. When repairing is unavoidable, a double-head soldering iron should be used (as below figure). It should be confirmed beforehand whether the characteristics of the LEDs will or will not be damaged by repairing.



EVERLIGHT ELECTRONICS CO., LTD.
Office: No 25, Lane 76, Sec 3, Chung Yang Rd,
Tucheng, Taipei 236, Taiwan, R.O.C

Tel: 886-2-2267-2000, 2267-9936
Fax: 886-2267-6244, 2267-6189, 2267-6306
<http://www.everlight.com>