

MICRO SWITCH

A DIVISION OF MINNEAPOLIS HONEYWELL REGULATOR COMPANY
FREEPORT, ILLINOIS

FED. MFR. CODE 91929

SWITCH - ENCLOSED

CATALOG LISTING
51ML2

THIS DRAWING COVERS A PROPRIETARY ITEM AND IS THE PROPERTY OF MICRO SWITCH, A DIVISION OF HONEYWELL. THIS DRAWING IS NOT TO BE COPIED OR USED WITHOUT THE APPROVAL OF MICRO SWITCH.



51ML2

M

DRAWING NUMBER

10

ISSUE

10

REVISIONS

A

CO11247

O. M. W.

11 MAR 58

B

CO12789

M. B. F.

14 MAY 58

C

CO22643

D. W. C.

21 MAR 67

D

CO26064

M. B. S.

25 JUNE 69

E

CO52194

G. J. W.

22 SEP 83

F

CO55051-B

J. A. P.

14 DEC 84

G

CO74287

G. J. W.

15 APR 93

REPLACES
ISSUE 3

REPLACES
ISSUE 3

REPLACES
ISSUE 3

REPLACES
ISSUE 3

REPLACES
ISSUE 3

REPLACES
ISSUE 3

REPLACES
ISSUE 3

REPLACES
ISSUE 3

REPLACES
ISSUE 3

REPLACES
ISSUE 3

REPLACES
ISSUE 3

REPLACES
ISSUE 3

REPLACES
ISSUE 3

REPLACES
ISSUE 3

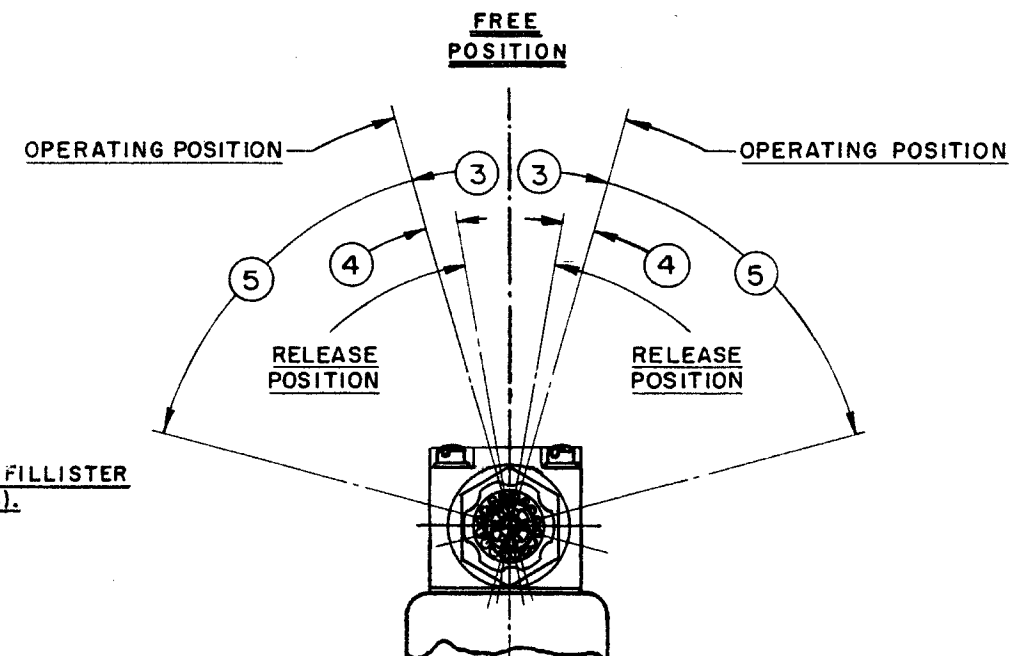
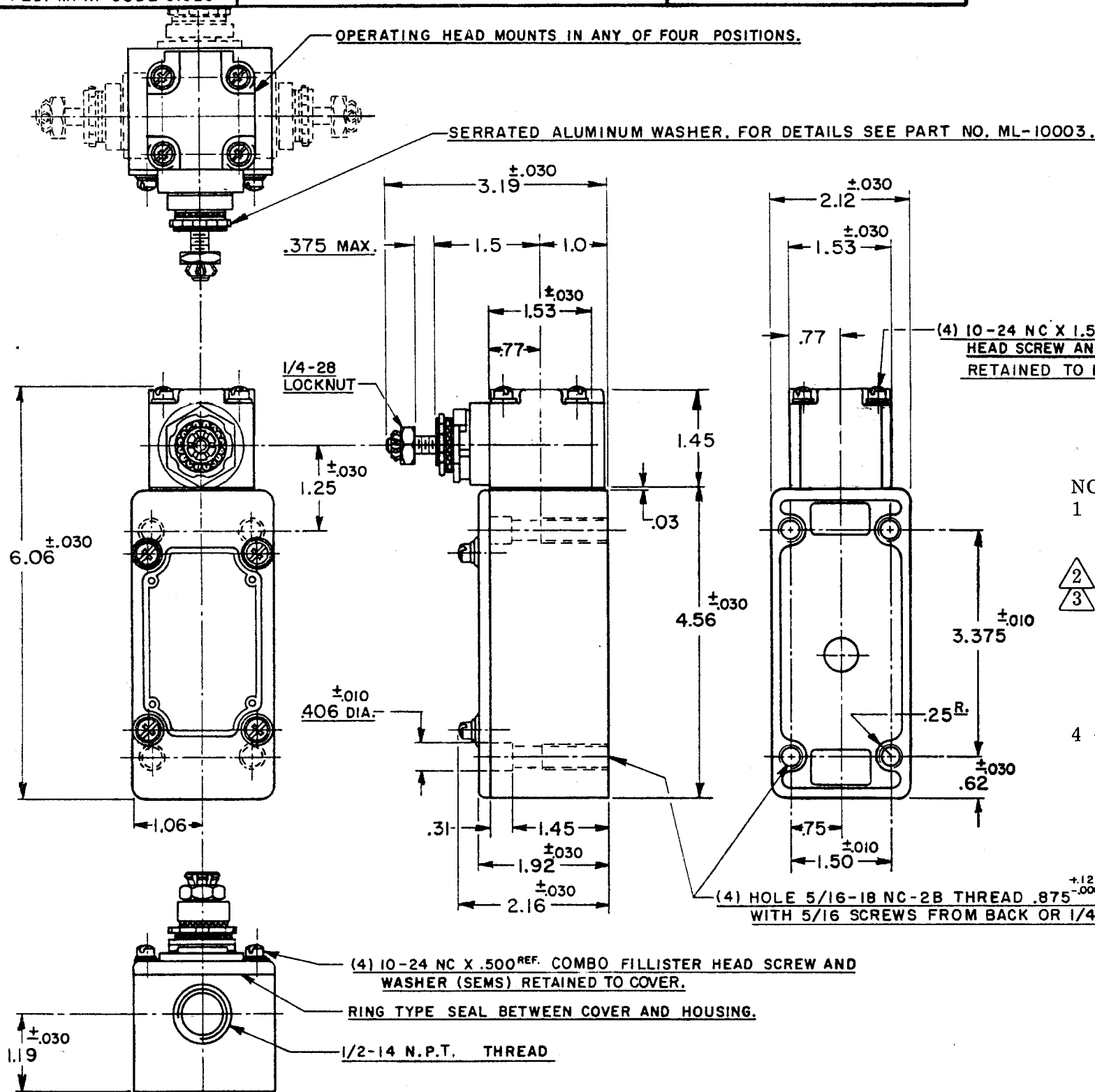
REPLACES
ISSUE 3

REPLACES
ISSUE 3

REPLACES
ISSUE 3

REPLACES
ISSUE 3

REPLACES
ISSUE 3



NOTES

1 - IT IS ESSENTIAL TO PREVENT ENTRANCE OF HARMFUL AGENTS THRU THE CONDUIT OPENING TO OBTAIN THE FULL BENEFIT OF THE SEALED CONSTRUCTION PROVIDED IN THIS UNIT

2
3

SWITCH IS ASSEMBLED FOR ACTUATION IN EITHER DIRECTION TO CONVERT SWITCH FOR ACTUATION IN EITHER CLOCKWISE OR COUNTER-CLOCKWISE DIRECTION ONLY, REMOVE THE HEAD AND SLIDE THE CAM TOWARD THE REAR OF THE HEAD SUFFICIENTLY TO DISENGAGE FROM THE FLATS ON THE SHAFT. ROTATE THE CAM 90° IN THE OPPOSITE DIRECTION OF THE ACTUATION DESIRED AND RE-ENGAGE THE CAM WITH THE FLATS ON THE SHAFT

4 - SHAFT MAY BE ADJUSTED TO ACTUATE THE SWITCH IN THE CLOCKWISE DIRECTION ONLY, THE COUNTER CLOCKWISE DIRECTION ONLY, OR IN BOTH DIRECTIONS 2 3

CHARACTERISTICS	ELECTRICAL DATA	SCALE 1/2 TO 1
OPERATING TORQUE-5 11/32 LB.-IN. MAX.	CONTACT ARRANGEMENT S. P. D. T.	DO NOT SCALE PRINT
FULL OVERTRAVEL TORQUE-7 1/8 LB.-IN. MAX.	(B) 20A-120,240,480 OR 600 VAC; 3/4 HP-120 VAC, 1 1/2 H.P.-240 VAC; 1/2 A-115 VDC; 1/4 A-230 VDC PILOT DUTY RATING: 600 VAC MAX.	UNLESS OTHERWISE SPECIFIED DIMENSIONS ARE IN INCHES
RELEASE TORQUE-----7/16 LB.-IN. MIN.		TOLERANCES ARE:
PRETRAVEL-----③--12° MAX.		ONE PLACE (.0) ±.030
DIFFERENTIAL TRAVEL---④--4° MAX.		TWO PLACE (.00) ±.015
OVERTRAVEL-----⑤--60° MIN.		THREE PLACE (.000) ±.005
SWITCH-BASIC REPLACEMENT-----IMK1		ANGLES ±
		WEIGHT

74-963

O. M. W. 11 MAR 58

6-C-H 31 MAR 58