

- NOTES:
 1. TERMINAL PUSHOUT FORCE: 3 lbs.
 2. ASSEMBLE GOLD PLATED END AS SHOWN.
 3. Ⓢ REPRESENTS CRITICAL DIMENSION.
 4. TERMINALS TO BE FLUSH TO .010 [0.25] BELOW TOP OF SHROUD.
 5. TST-1XX-04-X-D-RA-XX ASSEMBLIES ARE TO BE PACKAGED IN A PT-1-24-01-40, TUBE WITH TWO TP-13 PLUGS PER TUBE (ALL POSITIONS).
 6. SAMTEC LOGO MAY VARY IN LOCATION.

TST-1XX-XX-X-X-XX-XX
 No. OF POSITIONS
 -02 (STRAIGHT ONLY)
 -03 THRU -18 & 20,
 24, 25, 28, 30, 32, 36
 LEAD STYLE
 SEE TABLE 1
 POLARIZE OPTION
 -XX INDICATES POSITION OMITTED
 OPTION
 BLANK: STRAIGHT (STYLE -04 & -05 N/A)
 -RA: RIGHT ANGLE (STYLE -01, -02, & -03 N/A)
 (SEE TUBE TABLE FOR PACKAGING)
 -LL: LOCKING LEAD
 -LA: -RA OPTION WITH -LL OPTION
 (SEE TUBE TABLE FOR PACKAGING)
 ROW OPTION
 -D: DOUBLE
 -S: SINGLE
 PLATING SPECIFICATION
 -G: GOLD-.000010 Au (CONTACT AREA) OVER .000050 Ni
 -T: TIN-.000200 Sn OVER .000050 Ni
 -S: SELECTIVE-.000030 Au (CONTACT AREA), .000200 Sn ON TAIL, OVER .000050 Ni
 -L: SELECTIVE-.000010 Au (CONTACT AREA), .000200 Sn ON TAIL, OVER .000050 Ni
 -H: GOLD-.000030 Au (CONTACT AREA) OVER .000050 Ni
 -F: FLASH SELECTIVE GOLD-.000003 Au (CONTACT AREA), .000200 Sn ON TAIL, OVER .000050 Ni
 -P: GOLD FLASHED PALLADIUM NICKEL-.000003 Au OVER .000030 PdNi (CONTACT AREA), .000150 Sn ON TAIL, OVER .000050 Ni

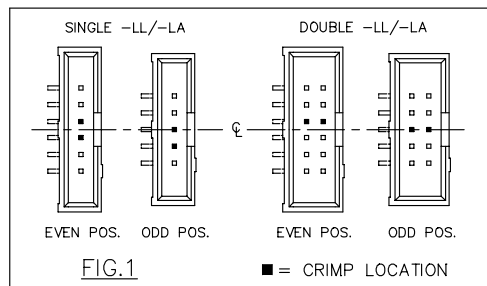
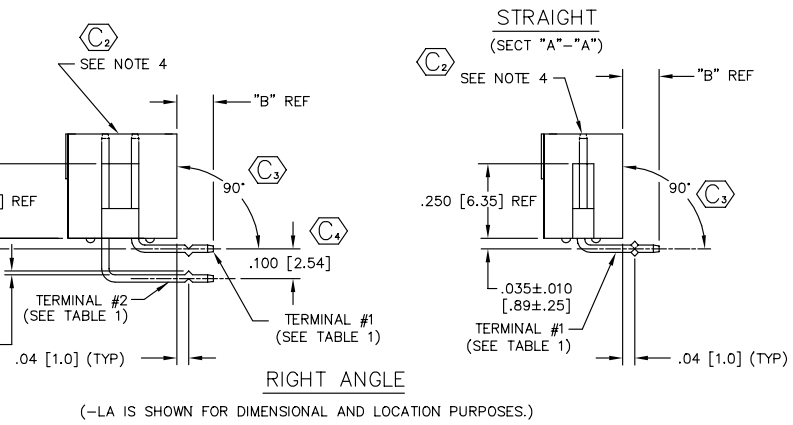
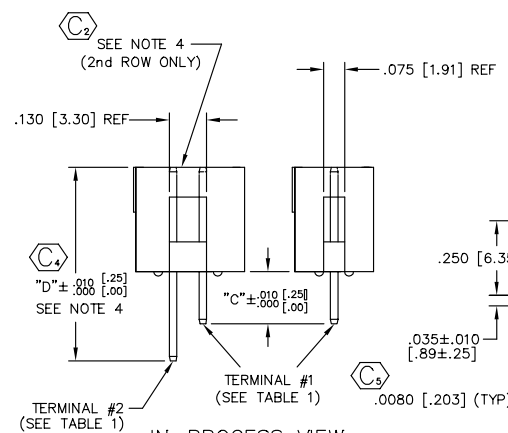
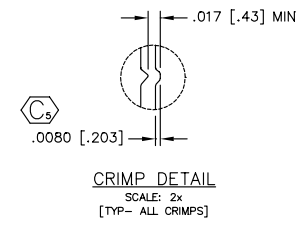
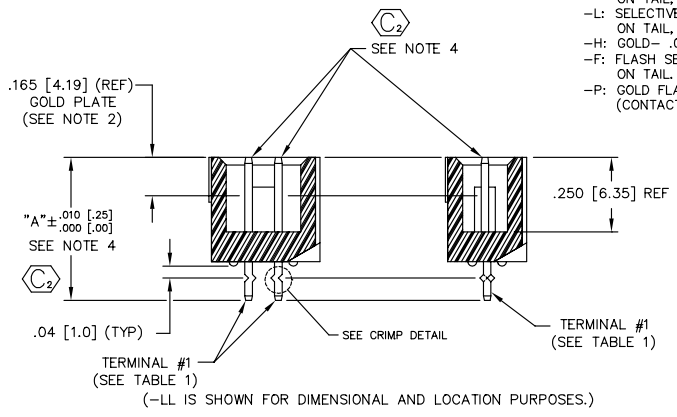
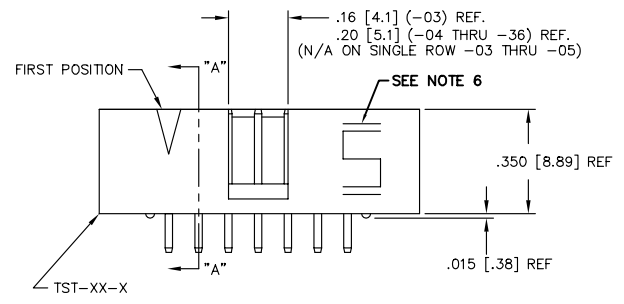


TABLE 1

LEAD STYLE	"A"	"B"	"C"		"D"	TERMINAL #1	TERMINAL #2
			NO RA REPRESS	WITH RA REPRESS			
-01	.480 [12.19]	-----	-----	-----	-----	T-1S6-17-X-2	-----
-02	.530 [13.46]	-----	-----	-----	-----	T-1S6-08-X-2	-----
-03	.930 [23.62]	-----	-----	-----	-----	T-1S6-11-X-2	-----
-04	-----	.130 [3.30]	.280 [7.11]	.350 [8.89]	.830 [21.08]	T-1S6-15-X-2	T-1S6-10-X-2
-05	-----	.230 [5.84]	.380 [9.65]	.450 [11.43]	.930 [23.62]	T-1S6-09-X-2	T-1S6-11-X-2

MATERIAL:
 VALOX 420 SE0 OR 553, OR CELANESE 3316
 COLOR: BLACK
 TERMINAL:
 PHOSPHOR BRONZE, ALLOY No
 510, GRADE A, FEDERAL SPEC.
 QQ-B-750, 3/4 HARD, 95 - 105
 KPSI TENSILE.
 MATERIAL THICKNESS: .0250 ± .0003
 [.635 ± .0076]

MISC/MKTG
 TST-MKT

 520 PARK EAST BLVD. NEW ALBANY, INDIANA 47150
 PHONE (812) 944-6733 P.O. BOX 1147
 CODE 55322
 MADE BY:
 JORDAN 2-18-87 TST-1XX-XX-X-X-XX-XX
 SHEET 1 OF 1

PROPRIETARY NOTE
 THIS DOCUMENT CONTAINS INFORMATION
 CONFIDENTIAL AND PROPRIETARY TO
 SAMTEC INC. AND SHALL NOT BE
 REPRODUCED OR TRANSMITTED IN
 ANY FORM OR BY ANY MEANS, ELECTRONIC
 OR MECHANICAL, INCLUDING PHOTOCOPYING,
 RECORDING, OR BY ANY INFORMATION
 STORAGE AND RETRIEVAL SYSTEM, WITHOUT
 THE WRITTEN CONSENT OF SAMTEC INC.

Do not scale
 from this print.