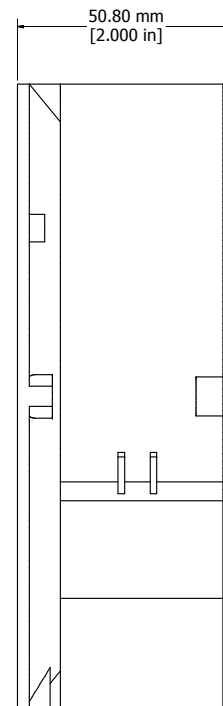
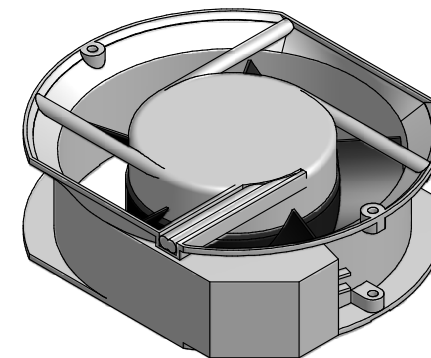


TOP VIEW



SIDE VIEW



ISOMETRIC VIEW

| |
|--|
| FAN150AC115 |
| Finish - Housing - Aluminum |
| - Fan - Black Plastic |
| Rated - 115 VAC, 50/60 Hz, 0.24 Amps |
| Free Flow Air Delivery - 235 CFM |
| Hardware |
| 4 Screws - Panhead Self-tapping 10-32 x 1/2" |



**HAMMOND
MANUFACTURING™**

FAN150AC115

www.hammondmfg.com