

NOTES:

1. MATERIALS OF CONSTRUCTION:

- HOUSING W/ BODY & HEX NUT - BRASS (QQ-B-626), GOLD PLATED (.000003 MIN THICK)
- CONTACT PIN - BERYLLIUM COPPER, GOLD PLATED (.000050 MIN THICK)
- INSULATORS (2) - TEFLON
- CONTACT PIN - BRASS (QQ-B-626), GOLD PLATED (.000050 MIN THICK)
- COVER & LOCK WASHER - BRASS (QQ-B-613), GOLD PLATED (.000003 MIN THICK)

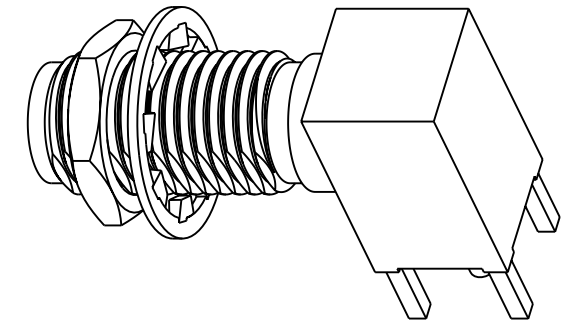
2. MECHANICAL:

- A. DURABILITY: 500 CYCLES MIN.
- B. TEMPERATURE RANGE: -65° C TO +165° C

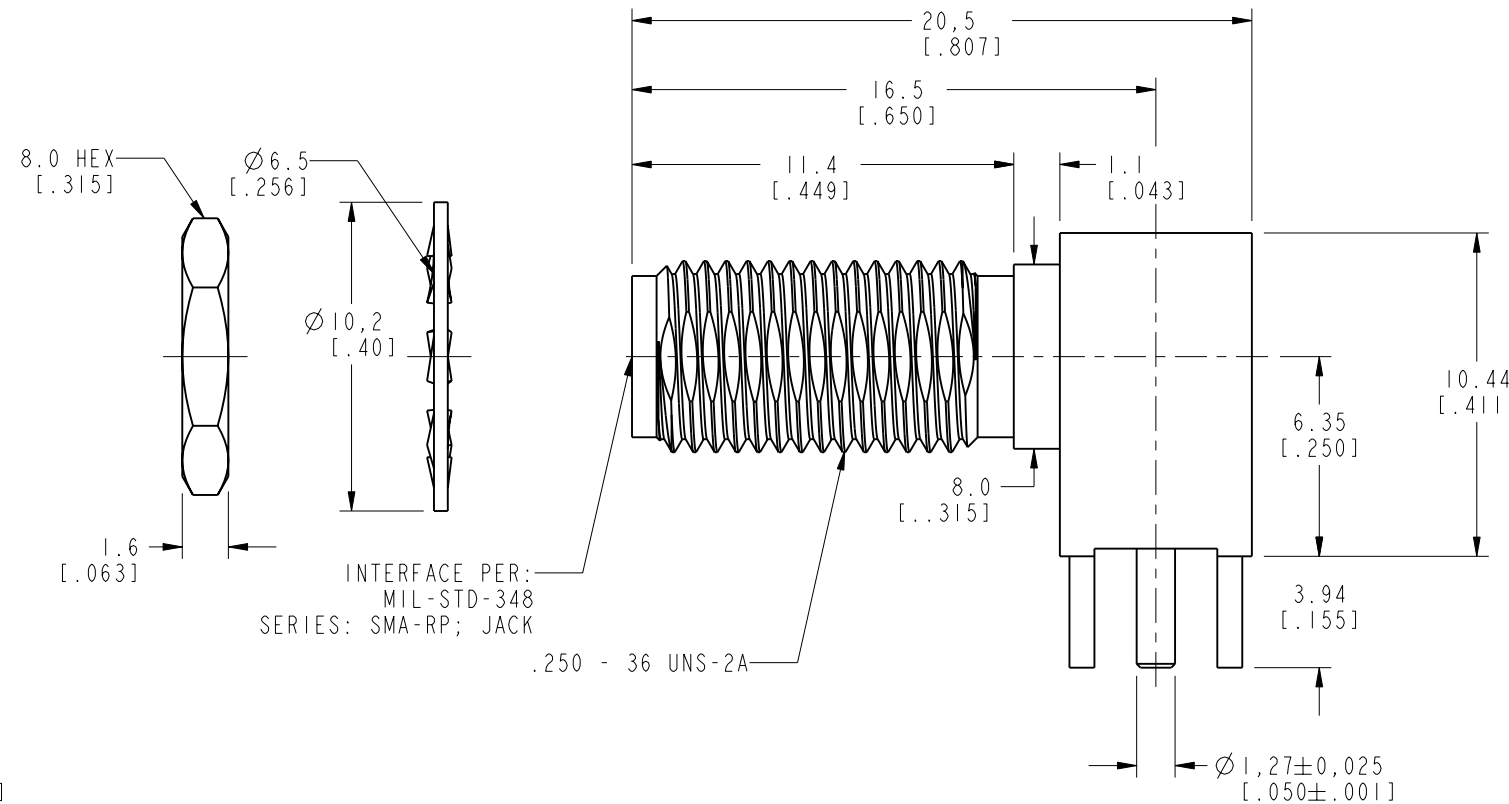
3. PACKAGING:

- A. QUANTITY: SINGLE PACK
- B. MARKING: BAG TO BE MARKED  
"AMPHENOL, 901-10150, AND DATE CODE"

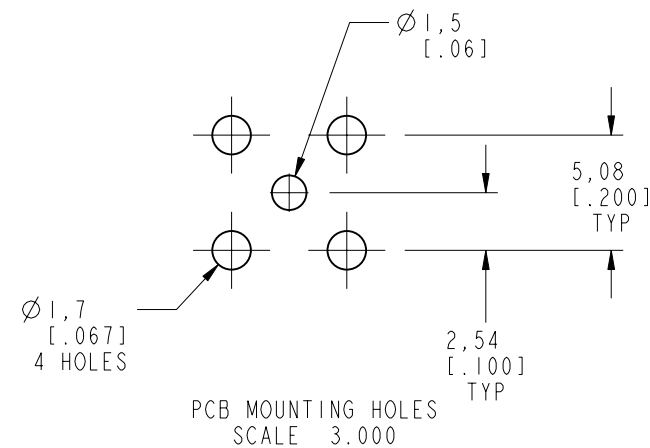
901-10150		REVISIONS			
DRAWING NO.	REV	DESCRIPTION	DATE	ECO	APPR
THIRD ANGLE PROJ.	A	RELEASE TO MFG.	12/1/05	45838	HP



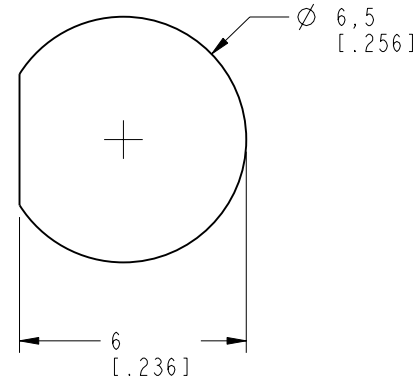
SCALE 3.000



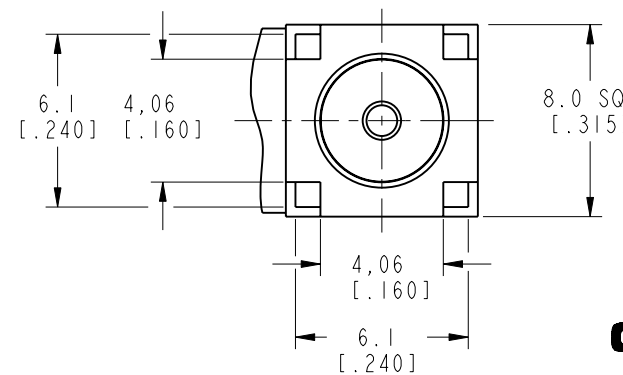
INTERFACE PER:  
MIL-STD-348  
SERIES: SMA-RP; JACK



PCB MOUNTING HOLES  
SCALE 3.000



RECOMMENDED MOUNTING  
HOLE DIMENSIONS  
SCALE 5.000



**CUSTOMER OUTLINE DRAWING**

ALL OTHER SHEETS ARE FOR INTERNAL USE ONLY

**METRIC DRAWING**

UNLESS OTHERWISE SPECIFIED, DIMENSIONS ARE METRIC AND TOLERANCES ARE: 1 PLACE DECIMAL ± 0.3MM (.012") 2 PLACE DECIMAL ± .10 MM (.004") ANGLES ± 1°	MATERIAL	DRAWN H. PARIKH ENGINEER H. PARIKH APPROVED O. BARTHELME CAD FILE Root Folder/SMA/901-10150	DATE 29-Nov-05 DATE 29-Nov-05 DATE 12/1/05	TITLE ASSEMBLY R/A SMA-RP, PCB JACK	<b>Amphenol RF</b> Danbury, CT, USA Tainan, Taiwan Shenzhen, China <a href="http://www.amphenolrf.com">www.amphenolrf.com</a>
	REFERENCE 1443 XXX CONFIGURATION LEVEL: Prototype	CODE ID 74868 DWG SIZE B DRAWING NO. 901-10150	SCALE: 4.0:1.0 SHEET 2 OF 2 REV A		

NOTICE - These drawings, specifications, or other data (1) are, and remain the property of Amphenol corp. (2) must be returned upon request; and (3) are confidential and not to be disclosed to any person other than those to whom they are given by Amphenol Corp. the furnishing of these drawings, specifications, or other data by Amphenol Corp., or to any other person to anyone for any purpose is not to be regarded by implication or otherwise in any manner licensing, granting rights to permitting such holder or any other person to manufacture, use or sell any product, process or design, patented or otherwise, that may in any way be related to or disclosed by said drawings, specifications, or other data.