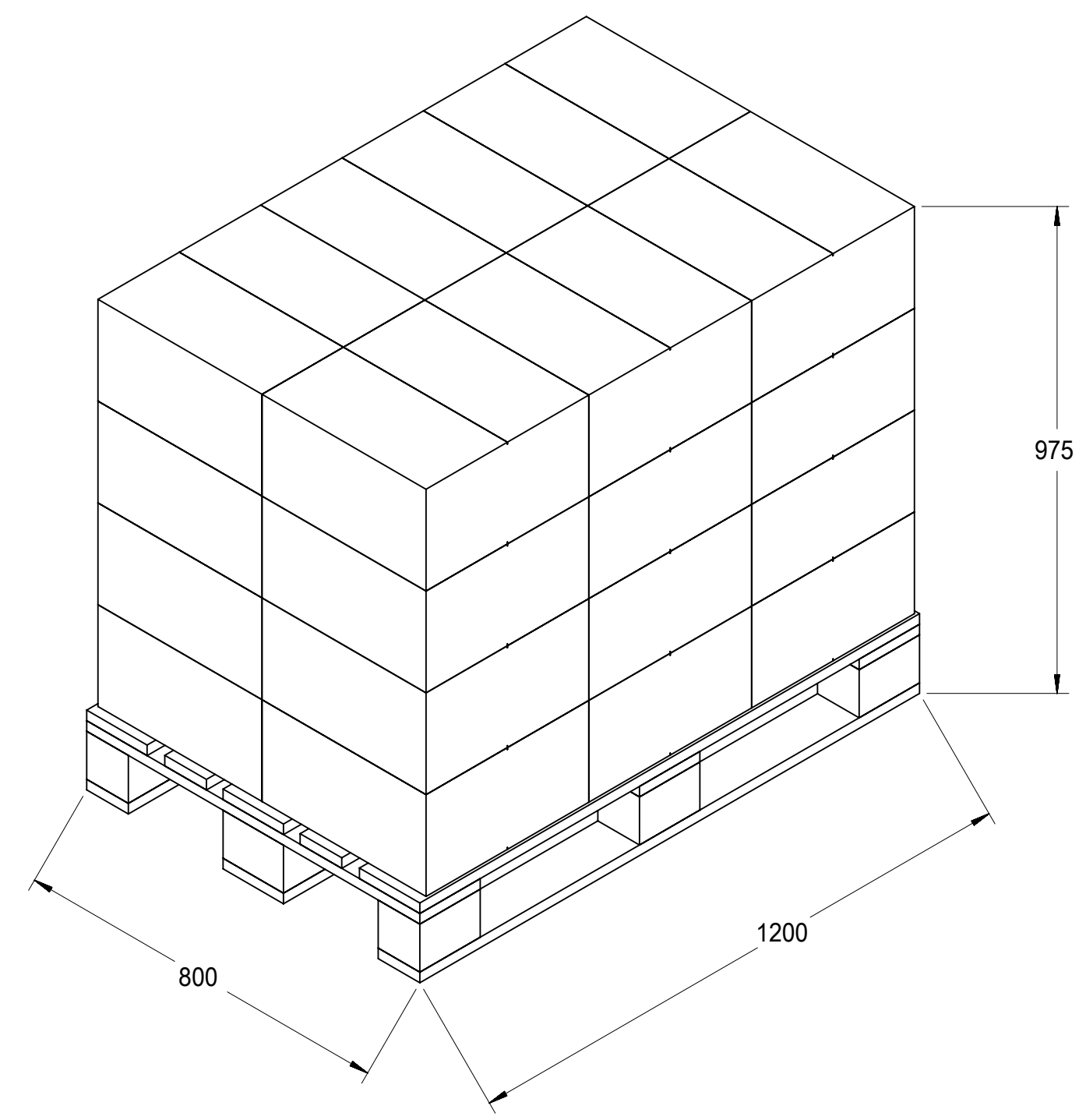
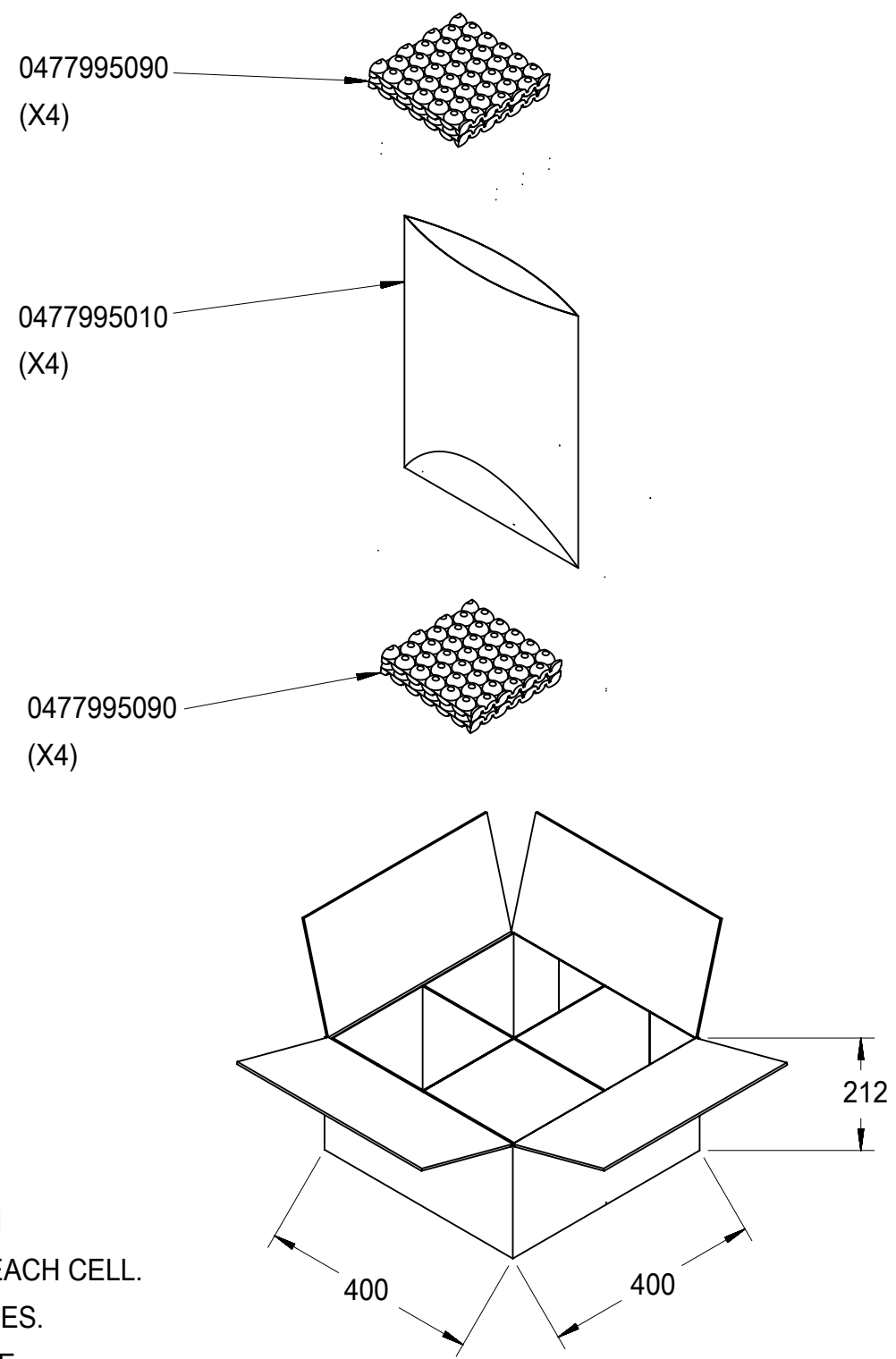


TABLE										
MAT'L #	DESCRIPTION	CARTON #	TUBE ASSY #	BAG #	BUBBLE #	QTY/BAG	BAG/CTN	BUBBLE/CTN	TUBE ASSY/CTN	SPQ
160014000*	29/28WAY HYBRID 0.5 & 1.2 CKT	0477991015	0477994003	0477995010	0477995090	125	4	8	2	500
160026000*	12WAY HYBRID 1.2 & 2.8 CKT									
160027000*	25WAY HYBRID 0.5 & 2.8 CKT									
160028000*	32WAY HYBRID 0.5 & 1.2 CKT									
160029000*	29/27WAY HYBRID 0.5 & 1.2 CKT									
1600300001	WIRE DRESS COVER STGRY	0477991015	0477994003	0477995010	0477995090	500	4	8	2	2000
1600300005	WIRE DRESS COVER DKGRY									
1600300002	WIRE DRESS COVER-A									
1600300003	WIRE DRESS COVER-B	0477991015	0477994003	0477995010	0477995090	300	4	8	2	1200
205084050*	32WAY OUTER HSG MODIFIED	0477991015	0477994003	0477995010	0477995090	125	4	8	2	500
205081050*	12WAY OUTER HSG MODIFIED									
205081000*	12WAY RCPT ASSY	0477991015	0477994003	0477995010	0477995090	125	4	8	2	500
205082000*	25WAY RCPT ASSY									
205083000*	27W CONNECTOR									
205084000*	32W CONNECTOR									



- NOTES:
1. FOLD AND TAPE THE BOTTOM FLAPS OF THE CARTON.
 2. FOLD AND INSERT 2 TUBE ASSEMBLIES INTO THE CARTON
 3. FOLD BUBBLE IN HALF TWICE AND PLACE IN BOTTOM OF EACH CELL.
 4. PLACE ONE BAG INTO EACH CELL OF THE TUBE ASSEMBLIES.
 5. FILL THE BAGS WITH CONNECTORS PER THE ABOVE TABLE.
 6. FOLD OVER THE TOPS OF THE BAGS TO SEAL
 7. FOLD BUBBLE IN HALF TWICE AND PLACE IN THE TOP OF EACH CELL.
 8. THEN FOLD AND TAPE THE TOP FLAPS OF THE CARTON.
 9. LABEL AND PALLETIZE PER E-47799-150

QUALITY SYMBOLS ▽ = 0 ▽ = 0 ▽ = 0 ▽ = 0 ▽ = 0 ▽ = 0 ▽ = 0 ▽ = 0 ▽ = 0	THIS DRAWING CONTAINS INFORMATION THAT IS PROPRIETARY TO MOLEX ELECTRONIC TECHNOLOGIES, LLC AND SHOULD NOT BE USED WITHOUT WRITTEN PERMISSION										
	EC NO: 174955 DRWN: LLIJ226 CHKD: GLI04 REV / APPR: BYANG05	2018/04/12 2018/05/11 2018/05/14	GENERAL TOLERANCES (UNLESS SPECIFIED)			DIMENSION UNITS	SCALE				
			ANGULAR TOL ± 1.0 °			mm	1:10				
			DRAFT WHERE APPLICABLE MUST REMAIN WITHIN DIMENSIONS			4 PLACES ±	EDANIELS	DATE	BULK (QUAD) PACK FOR STAK50H CONNECTORS T201316133		
			3 PLACES ±	CHKD BY	DATE	PACKAGING DESIGN DRAWING					
			2 PLACES ± 0.13	CBOUCHAN	2017/11/22	SERIES MATERIAL NUMBER CUSTOMER					
			1 PLACE ± 0.25	MKNACK	2016/03/23	31302 SEE TABLE GENERAL MARKET					
			0 PLACES ±	DRAWING SIZE THIRD ANGLE PROJECTION		DOCUMENT NUMBER DOC TYPE DOC PART SHEET NUMBER					
				C		PK-31302-266 PDD 001 1 OF 1					