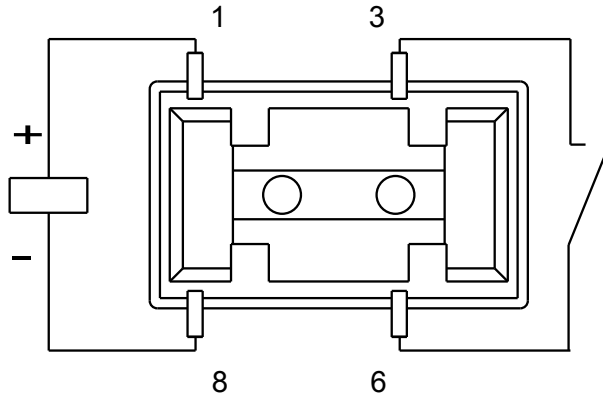
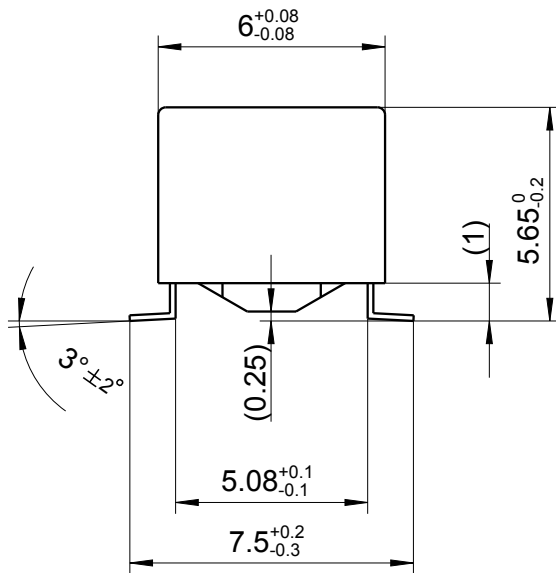
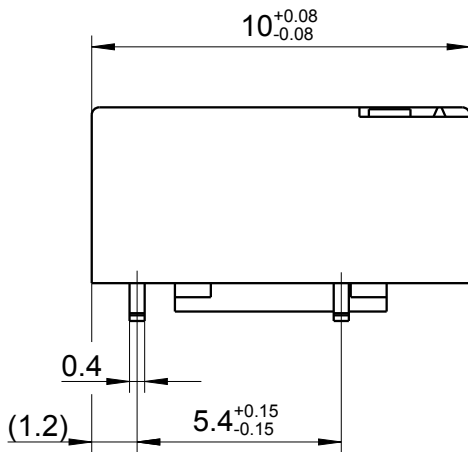


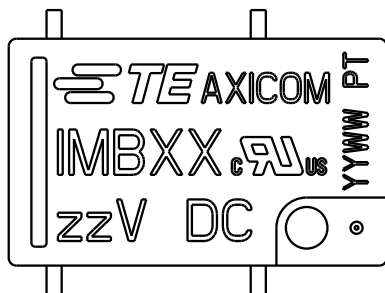
LOC	DIST	REVISIONS					
		P	LTR	DESCRIPTION	DATE	DWN	APVD
HJ	-						
		A2		REVISED PER ECO-11-005150	25MAR2011	UKo	AK
		A3		REVISED PER ECR-13-014508 (TE-Logo)	16SEP2013	UKo	AK



Relay - bottom view



Coplanarity < 0.10mm



XX = Relay type
 zz = nominal voltage
 YYWW = Date code

RELEASED FOR PUBLICATION

ALL RIGHTS RESERVED.

THIS DRAWING IS UNPUBLISHED.

© COPYRIGHT 2008

DIMENSIONS: mm	DWN	01JUL2008	MATERIAL	-	FINISH	-
	CHK	01JUL2008	TE Connectivity			
TOLERANCES UNLESS OTHERWISE SPECIFIED: DIN 7168-m	UKo	01JUL2008				
0 PLC ±	APVD	01JUL2008	NAME IMB-Relay SMT Gull Wings (1 Form A) Dimensions			
1 PLC ±	HD 9121					
2 PLC ±	PRODUCT SPEC	-	SIZE	A4	CAGE CODE	00779
3 PLC ±	APPLICATION SPEC	-	DRAWING NO	C-1462041-2		RESTRICTED TO
4 PLC ±	WEIGHT	-	CUSTOMER DRAWING			
ANGLES ±			SCALE	5:1	SHEET	1 OF 1
					REV	A3