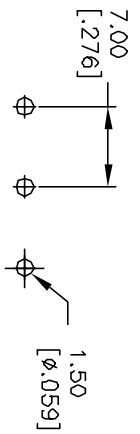
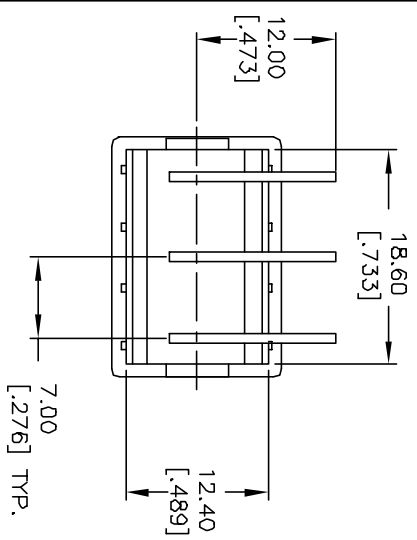
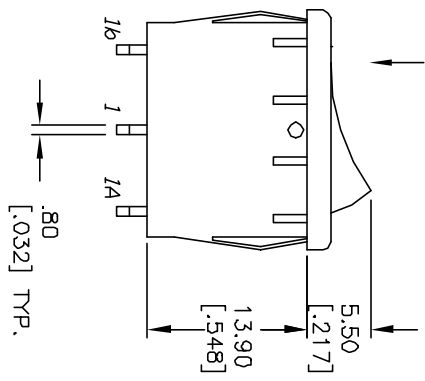
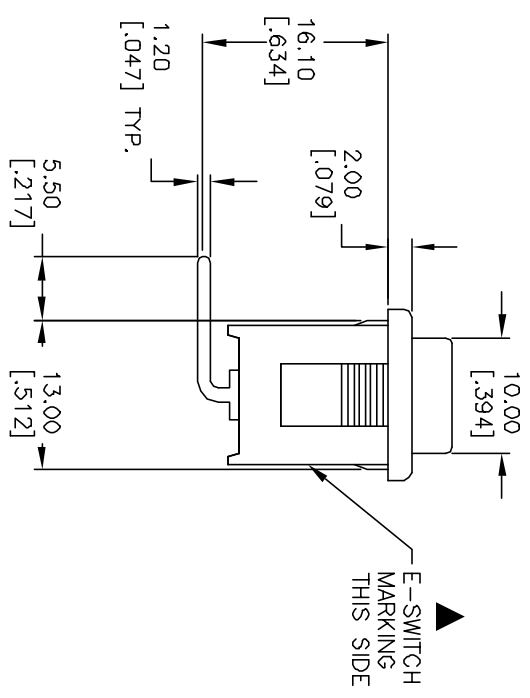


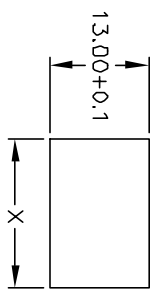
POS. 1



RECOMMENDED P.C.B. LAYOUT

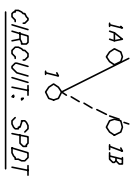


PANEL THICKNESS	X dimension
0.75-1.25 [0.030-0.049]	19.2-01 [0.756]
1.25-2.0 [0.049-0.079]	19.4-01 [0.764]
2.0-3.0 [0.079-0.118]	19.8-01 [0.780]



PANEL CUTOUT
NOT TO SCALE

SWITCH FUNCTION		
POS. 1	POS. 2	POS. 2
DN	NONE	DN
1-1a	OPEN	1-1b



NOTES:

1. ALL DIMENSIONS IN MM [INCH]
2. GENERAL TOLERANCE: X.X=±0.4
X.XX=±0.25
3. TERMINAL NOS. FOR REF ONLY.
4. RATING: 15A @ 125VAC OR
6A @ 250VAC
5. MATERIALS: TERMINALS: Silver Plated Copper Alloy
CONTACTS: Coin Silver, Silver Plated
6. ELECTRIC LIFE: 10,000 cycles
7. CONTACT RESISTANCE: <20 Mega Ω
8. INSULATION RESISTANCE: >1000 Mega Ω
9. DIELECTRIC STRENGTH: >1500 V 1 minute
>3000 V between poles

E-SWITCH®

REV.	ECN No.	DESCRIPTION	DATE	CHKD	SCALE	DATE	DR	DWG	REV
A	11510	RELEASED FOR PRODUCTION	5/25/01	CB	1.5:1	5/25/01	CB	M302209	A
TITLE: R1966C BLK BLK FL (L=Left Angle Term) THE INFORMATION CONTAINED IN THIS DOCUMENT IS PROPRIETARY TO E-SWITCH AND IS NOT TO BE COPIED OR TRANSMITTED									