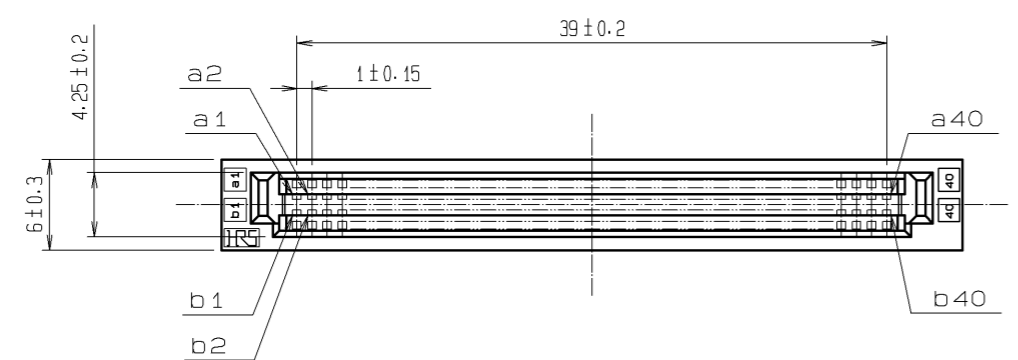
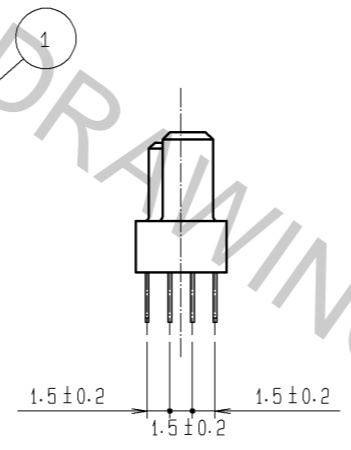
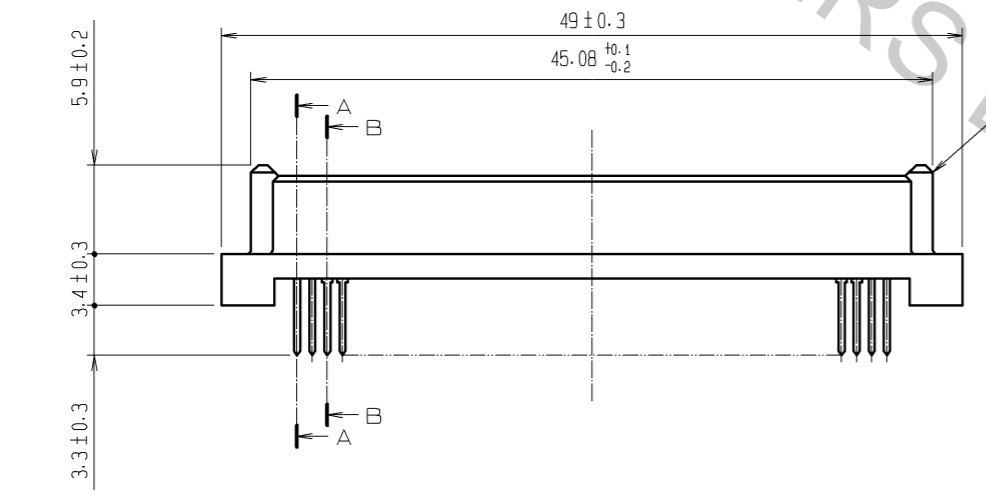
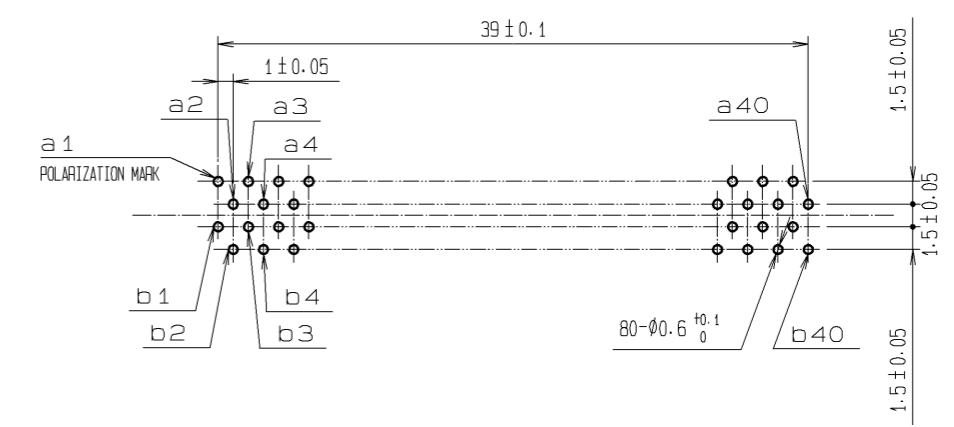


Apr.1.2017 Copyright 2017 HIROSE ELECTRIC CO., LTD. All Rights Reserved.

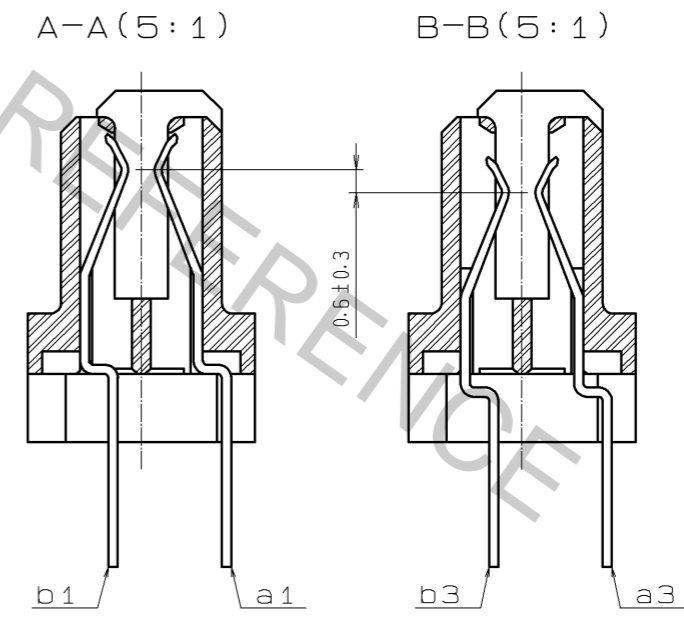
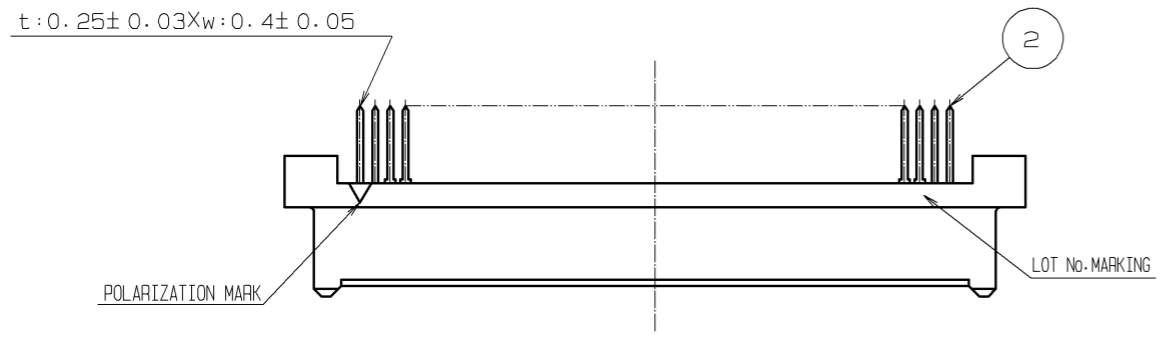


RECOMMENDED PC BOARD HOLE PATTERN (MOUNTING SIDE)
 APPLICABLE BOARD THICKNESS: 1.6



CONTACT SEQUENCE

SEQUENCE	PIN NO.
1	a1, a2, a39, a40 b1, b2, b39, b40
2	a3~a38 b3~b38



1	POLYAMIDE	BEIGE UL94V-0	2	PHOSPHOR BRONZE	CONTACT AREA : GOLD 0.1µm min. LEAD AREA : TIN-PLATING 1.2µm min. UNDER PLATING : NICKEL 1µm min.		
NO.	MATERIAL	FINISH, REMARKS	NO.	MATERIAL	FINISH, REMARKS		
UNITS mm		SCALE 2:1	COUNT 	DESCRIPTION OF REVISIONS	DESIGNED	CHECKED	DATE
HRS HIROSE ELECTRIC CO., LTD.		APPROVED : HS. OKAWA	08.07.14	DRAWING NO.	EDC3-151518-21		
		CHECKED : HT. YAMAGUCHI	08.07.14	PART NO.	FX5-80S2A-DSA(71)		
		DESIGNED : SY. KAMIGA	08.07.11	CODE NO.	CL575-0109-3-71		
		DRAWN : HK. SUNADORI	08.06.19				