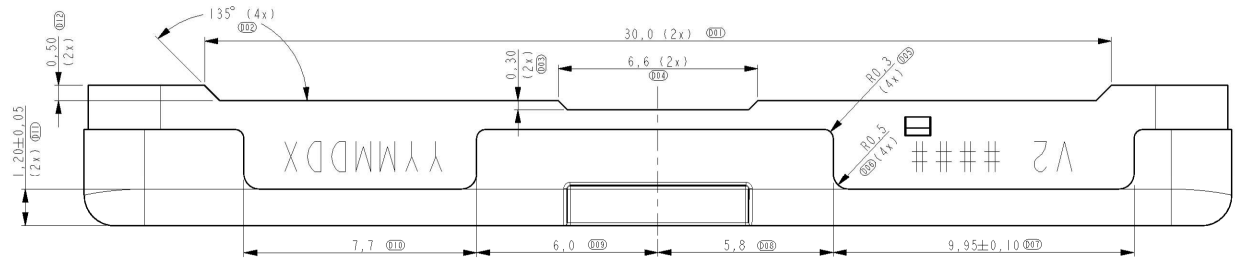
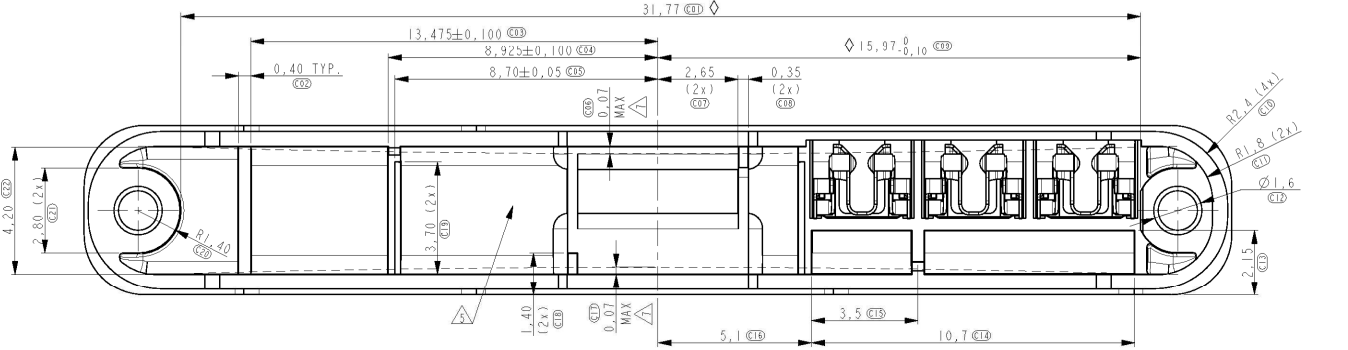
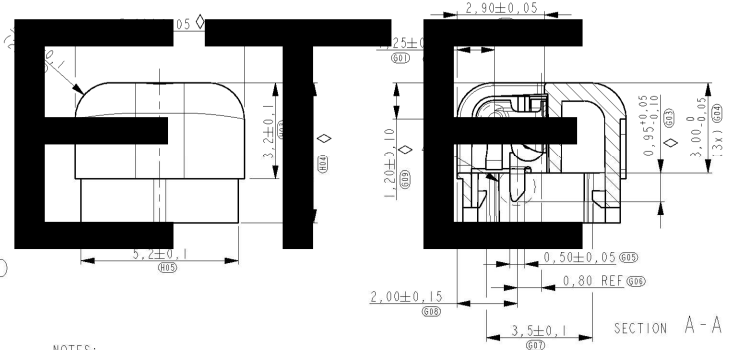
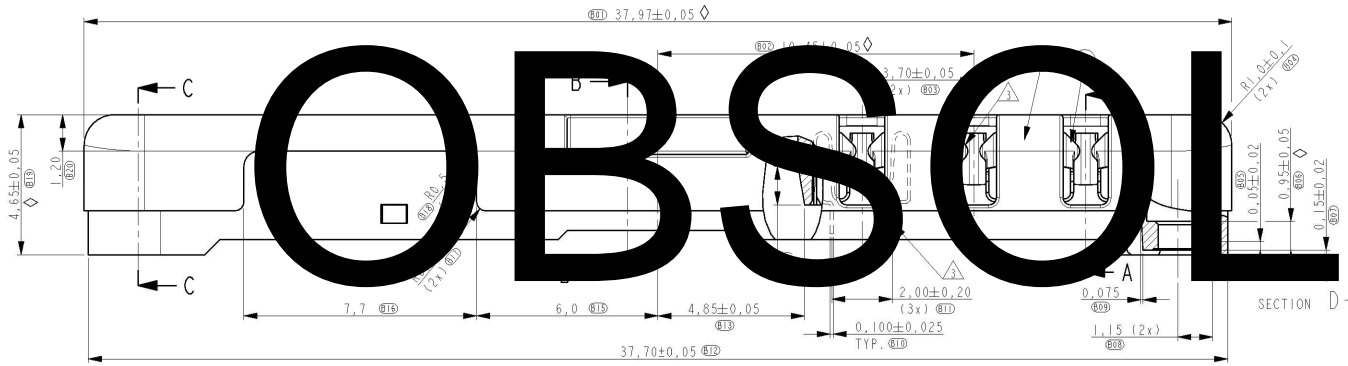
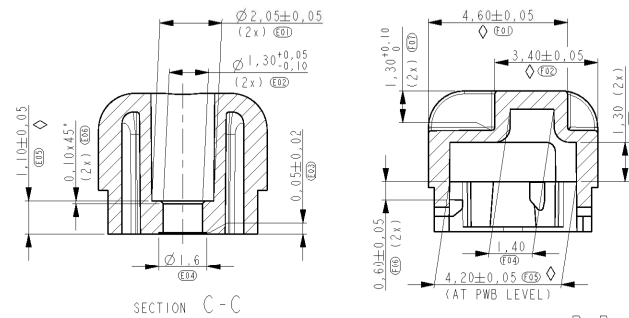
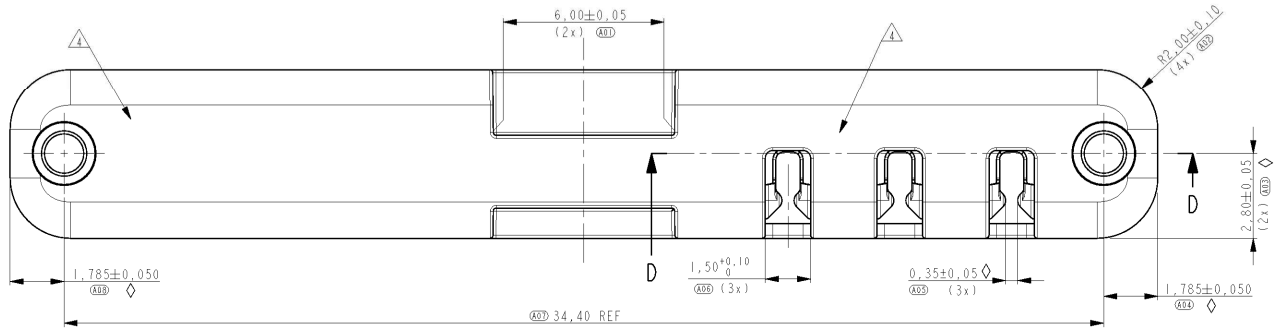


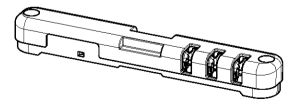
THIS DRAWING IS UNPUBLISHED. RELEASED FOR PUBLICATION
 BY - ALL RIGHTS RESERVED.

LOC	DIST	REV	DESCRIPTION	DATE	DWN	APVD
H	-	1	FIRST ISSUE	21JUL2011	PW	DH
		2	WHITE DIAMONDS ADDED	26JUL2011	PW	DH
		3	CHANGE DIM A04, A07, A08, B01, V2	24OCT2011	PW	DH
		A	ECR-12-009305	25MAY2012	PW	DH



NOTES:

- PART NUMBER 2173225-1.
- DRAWING REPRESENTS PART VERSION "V2".
- PLATING:
 - 1.2µm MIN. NICKEL ALL OVER
 - 0.8µm MIN. GOLD ON CONTACT POINTS
 - 3.0µm MIN. TIN ON SOLDER AREA
- SURFACE TEXTURE Ra 1.9µm (TOOL TEXTURE SPARK ERODED ACCORDING TO VDI 3400-24/27) COLOUR: BLACK (PANTONE 302X).
- MARKING: MOLD CAVITY IDENTIFICATION.
- MARKING: VERSION, PROCESS ID (###), PRODUCTION DATE (YYMMDDX).
- MARKING NOT IN COSMETIC AREA.
- MAXIMUM WARPAGE, INWARD ONLY.



THIS DRAWING IS A CONTROLLED DOCUMENT.

DIMENSIONS: mm

TOLERANCES UNLESS OTHERWISE SPECIFIED:

0 PLC	±0.20
1 PLC	±0.10
2 PLC	±0.05
3 PLC	±
4 PLC	±

FINISH

2 CONTACT	COPPER ALLOY	GOLD PLATED
1 HOUSING	PA 6T, 35% GF	

ITEM NO. DESCRIPTION MATERIAL FINISH

21-JUL-11 P. Willems

21-JUL-11 M. Gosselink

21-JUL-11 D. Halberstadt

NAME: **STE** TE Connectivity

RECEPTACLE CONNECTOR
3 POSITION, BL-SJ-1430
BATTERY BLOCK

SIZE CASE CODE DRAWING NO RESTRICTED TO

WEIGHT 520 mg A2 00779 C=2173225 -

CUSTOMER DRAWING SCALE 8:1 SHEET OF REV A1