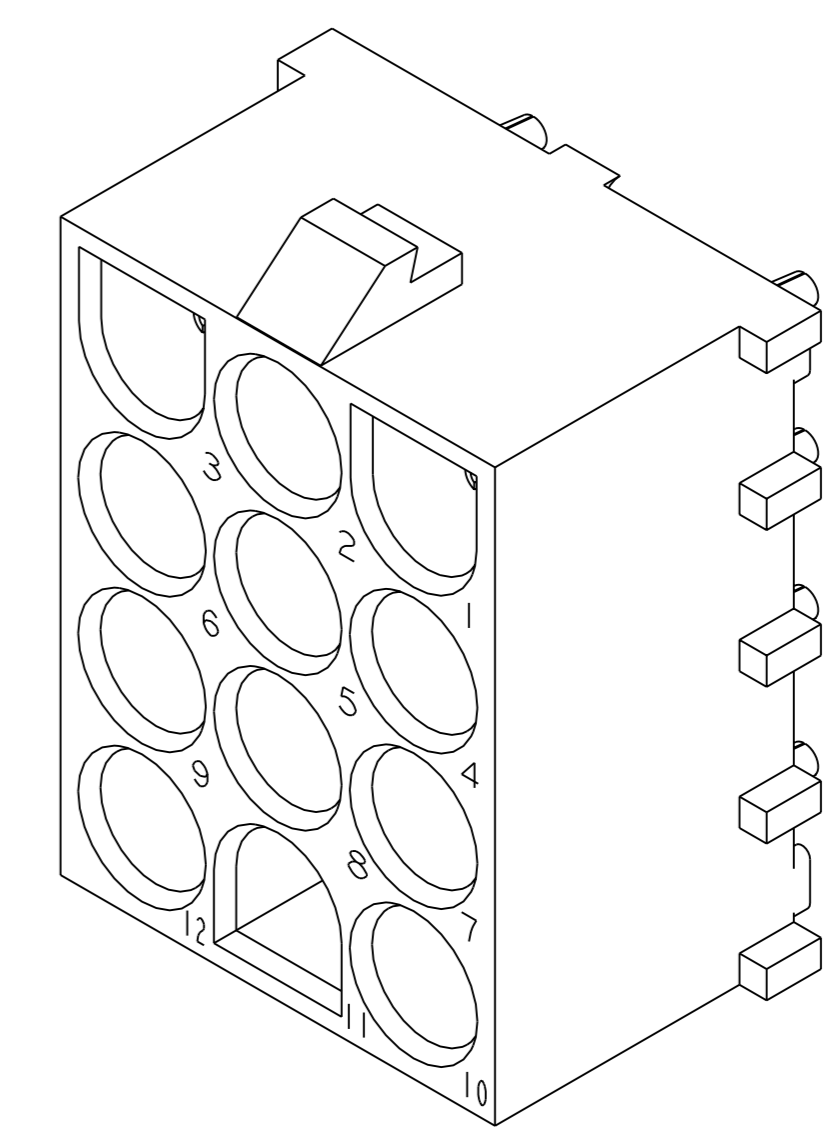
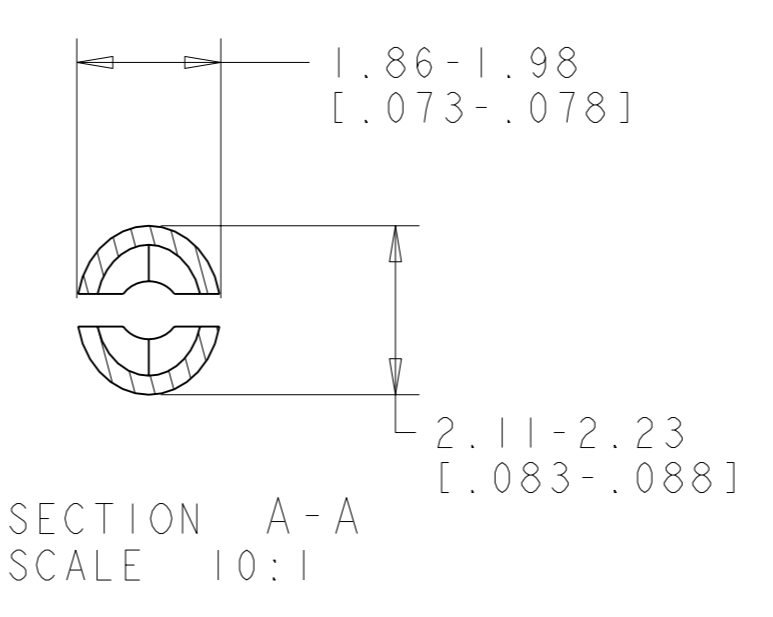
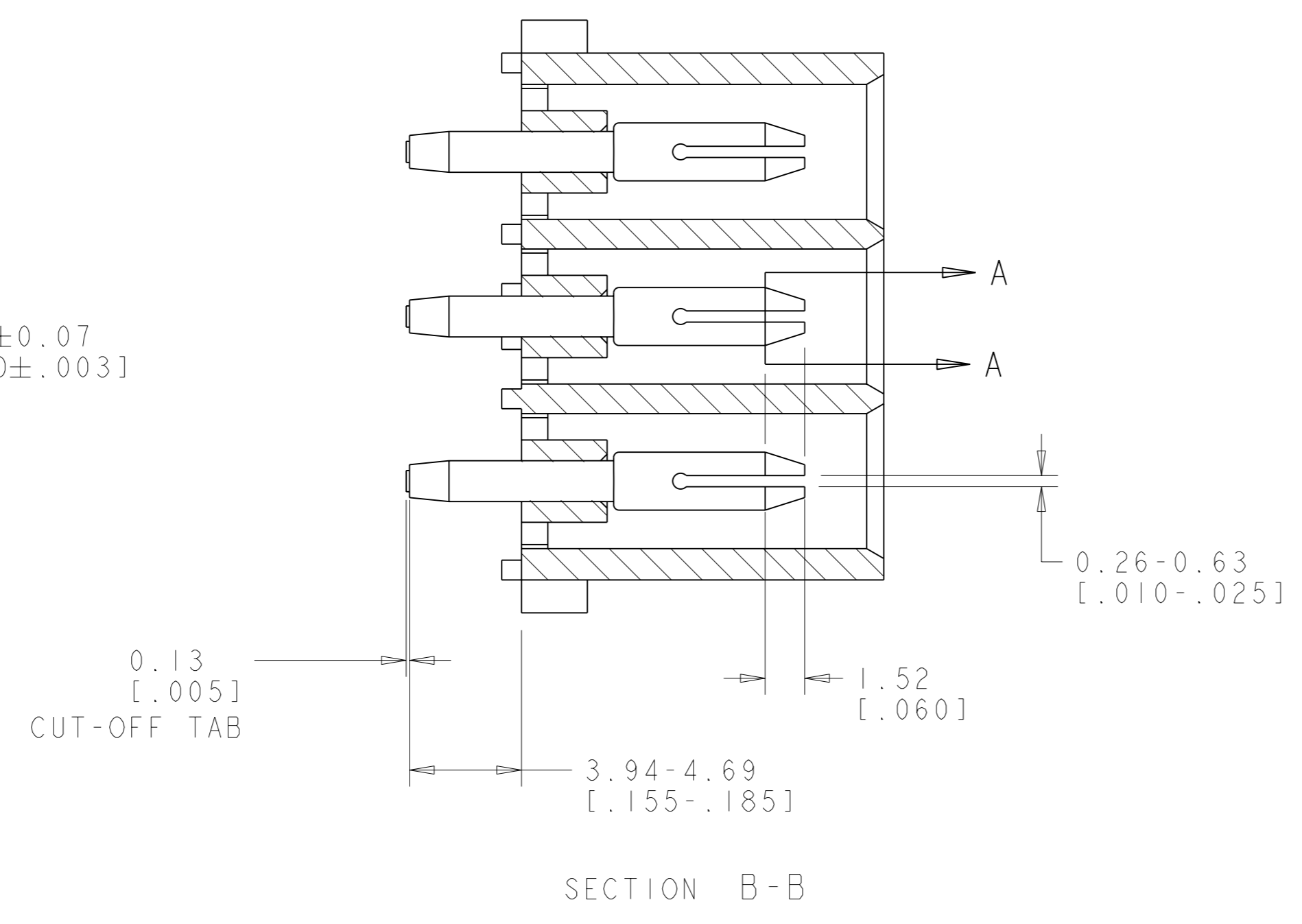
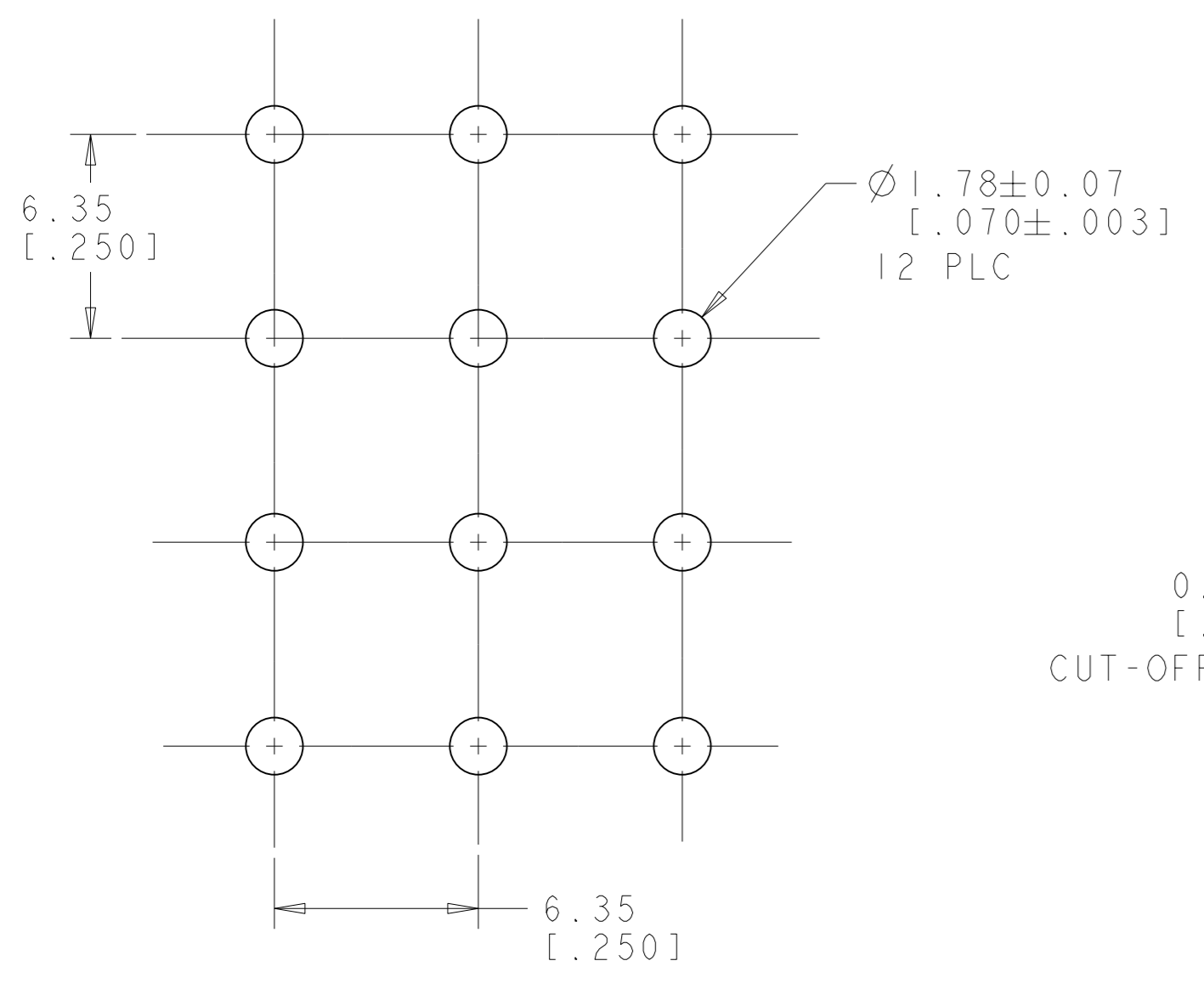
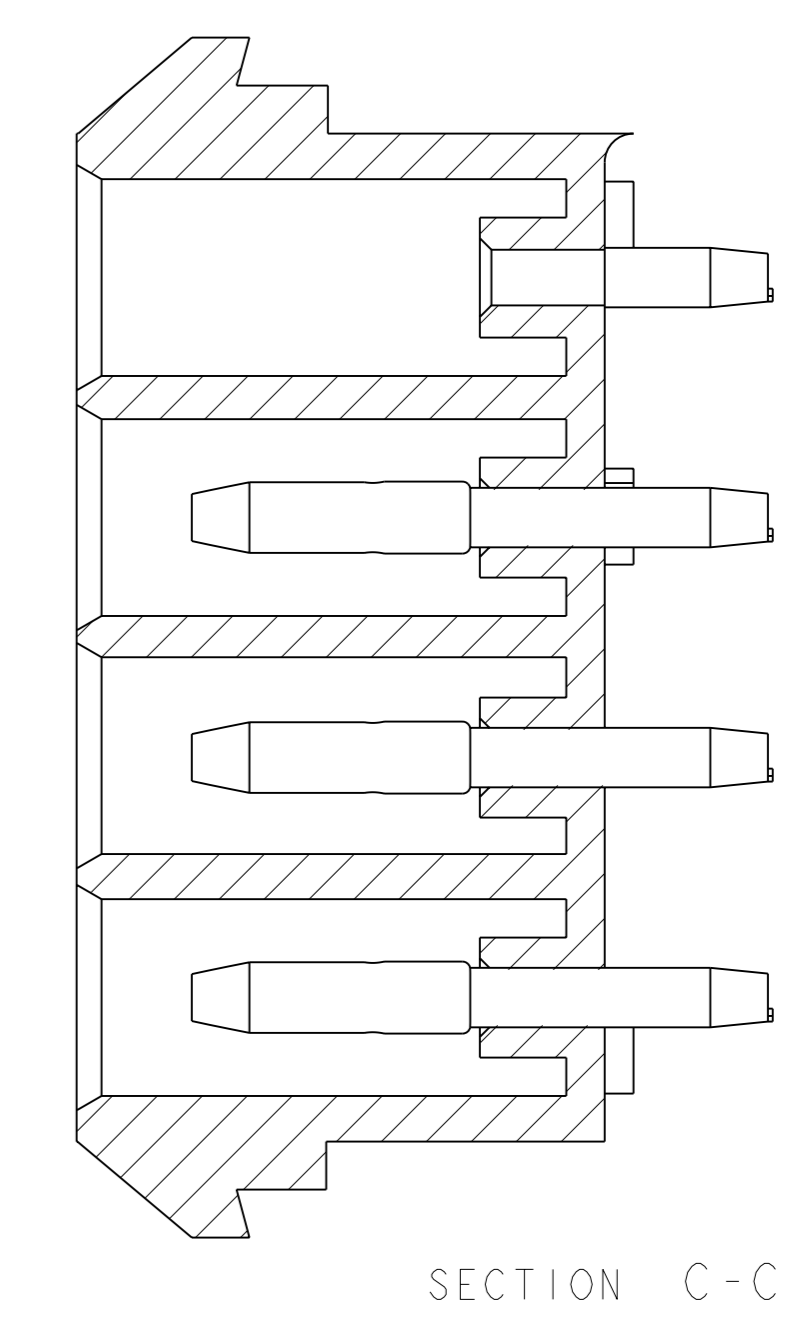
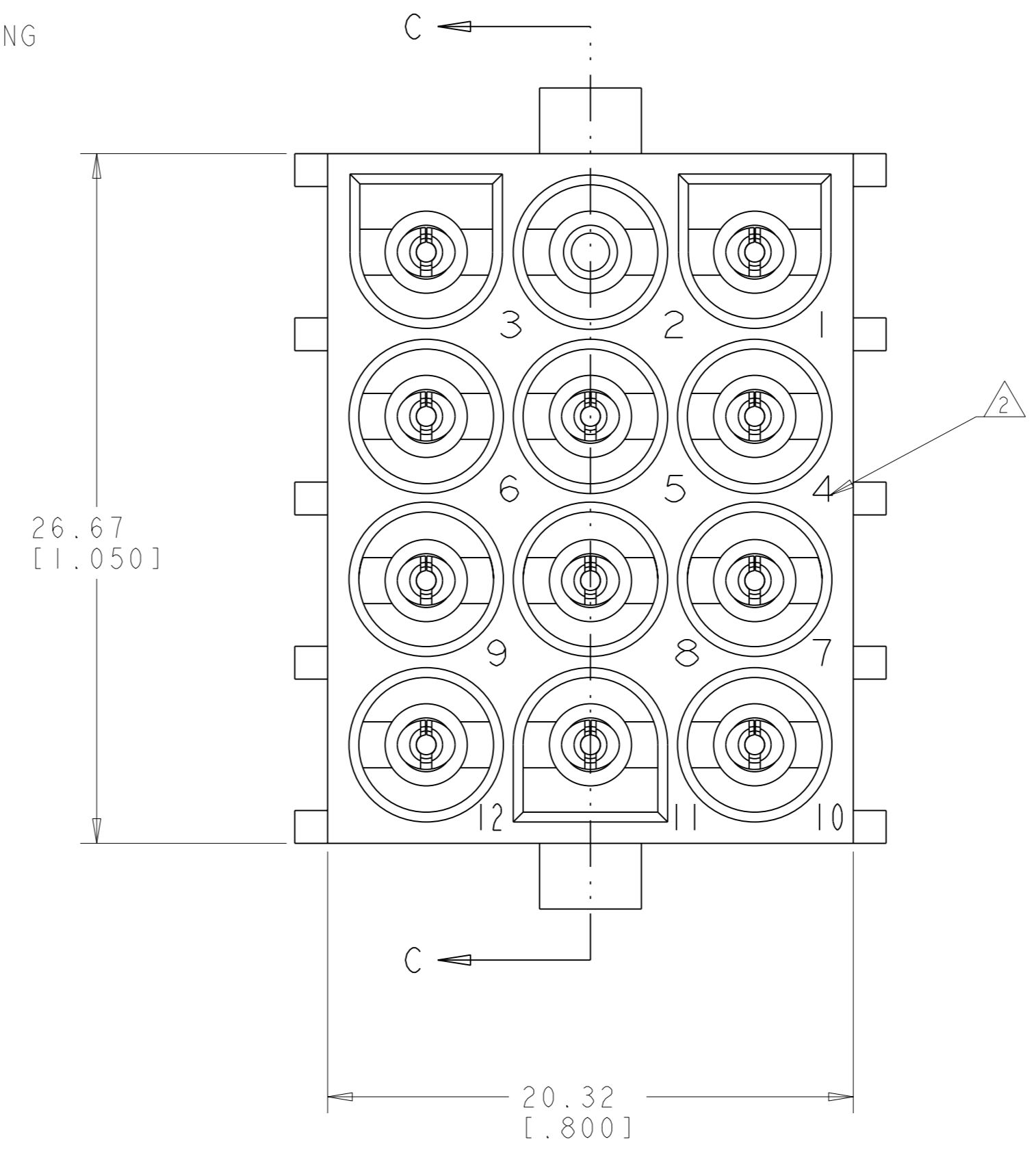
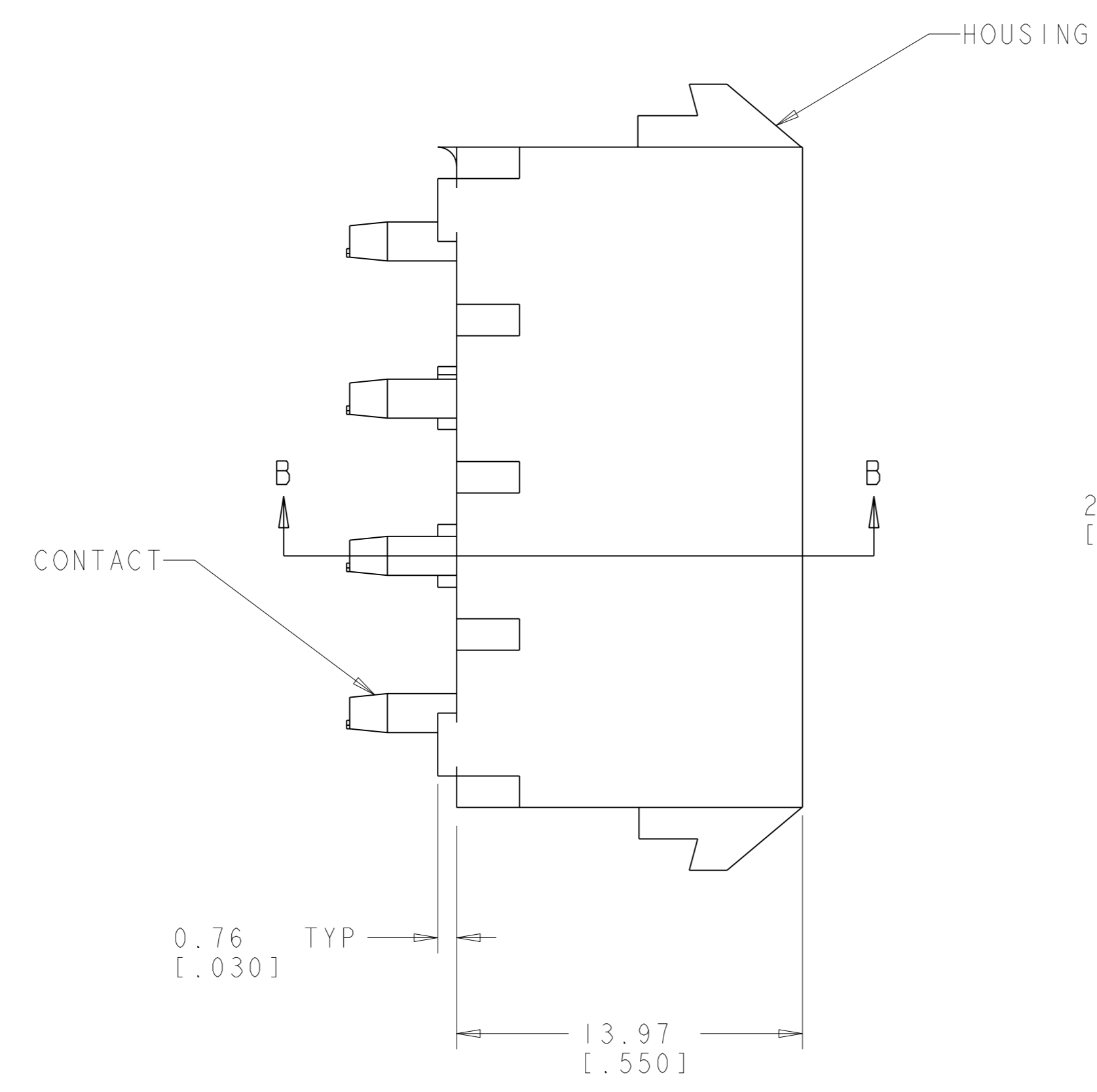
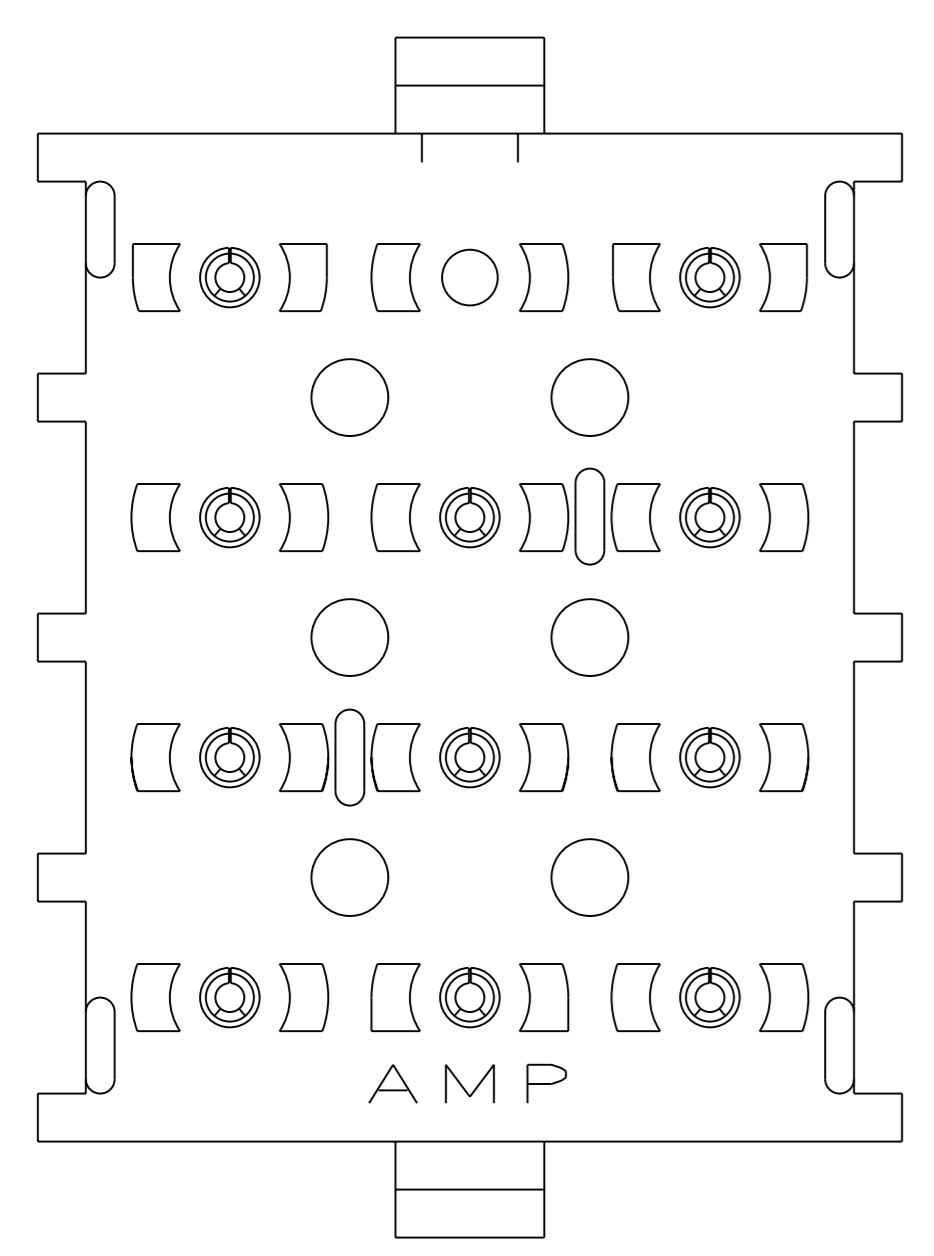


LOC		DIST		REVISIONS			
F	REV	DESCRIPTION	DATE	DWN	APVD		
A		RELEASED PER WR-05-27	04MAY05	KW	SR		

- PARTS COMPLY TO AMP SOLDERABILITY SPECIFICATION 109-11-3.
- CIRCUIT IDENTIFICATION CHARACTERS ARE ADJACENT TO THE INDICATED CAVITIES, BUT LOCATION AND ORIENTATION MAY DIFFER FROM PRINT.
- DIMENSIONS IN BRACKETS ARE IN INCHES.



3 DIMENSIONAL MODEL SCALE 4:1 1586681-2 SHOWN

PIN NO OMITTED	PIN CONTACT MATERIAL AND FINISH	HOUSING MATERIAL AND COLOR	PART NUMBER
12	PHOSPOR BRONZE, PRE-TIN	NYLON, UL94V-0, WHITE	1-1586681-2
8	PHOSPOR BRONZE, PRE-TIN	NYLON, UL94V-0, WHITE	1586681-8
4	PHOSPOR BRONZE, PRE-TIN	NYLON, UL94V-0, WHITE	1586681-4
2	PHOSPOR BRONZE, PRE-TIN	NYLON, UL94V-0, WHITE	1586681-2

RECOMMENDED MOUNTING HOLE PATTERN FOR 1.57 [.062] THICK P.C. BOARD HOLE THAT CORRESPONDS TO REMOVED CONTACT CAN BE OMITTED

**METRIC**

DIMENSIONS: mm [INCHES]		TOLERANCES UNLESS OTHERWISE SPECIFIED:		DWN: K. WHITAKER 04MAY2005 CHK: S. RIDGILL 04MAY2005 APVD: S. RIDGILL 04MAY2005		<b>tyco</b> Tyco Electronics Harrisburg, PA 17105-3608	
0 PLC	±	1 PLC	±	NAME	PIN HEADER ASSEMBLY, 12 CIRCUIT, SELECTIVELY LOADED, UNIVERSAL MATE-N-LOK(TM)		
2 PLC	±	3 PLC	±0.13(.005)	APPLICATION SPEC	SIZE	CAGE CODE	DRAWING NO
4 PLC	±	ANGLES	±	RESTRICTED TO	A	00779	©=1586681
MATERIAL SEE TABLE				FINISH SEE TABLE		WEIGHT	
CUSTOMER DRAWING				SCALE		SHEET 1 OF 1 REV A	