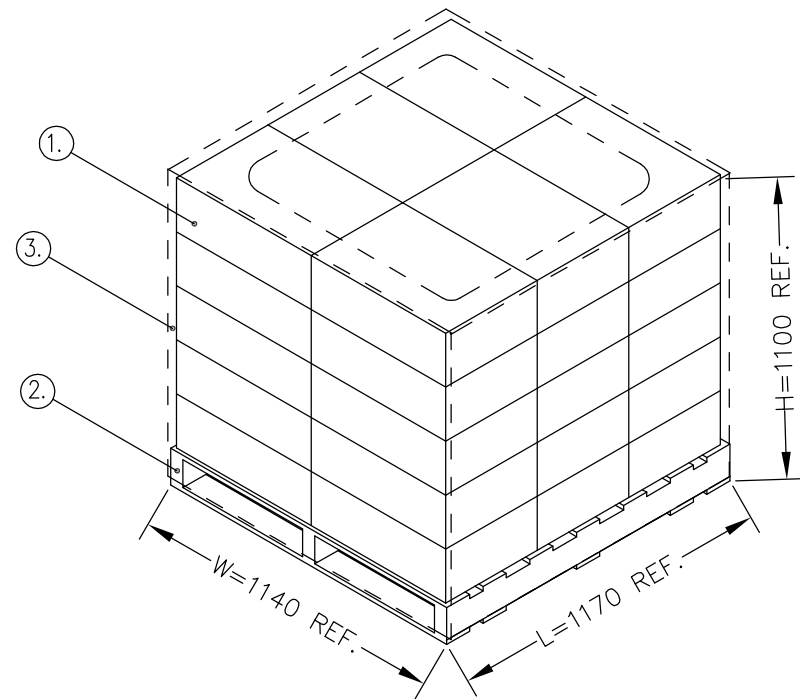


- * NOTES:
UNLESS OTHERWISE SPECIFIED.
1. STAMP OR LABEL MODEL'S CONTENTS ON THE CARTON FOR EACH SHIPPING.
 2. CARTON USES PACKING TAPE TO SEAL.

- * PACKING ASS'Y DRAWING:
1. ALL DIMENSIONS ARE IN mm.
2. PARTS SPECIFIED AS FOLLOWS:

③	795232	PE BAG	1
②	732215	PARTITION	1/40
①	727728	OUT-CTN	1/40
ITEM	PART NO.	DESCRIPTION	Q'TY



- * PALLET ASS'Y DRAWING:
1. ALL DIMENSIONS ARE IN mm.
2. PARTS SPECIFIED AS FOLLOWS:

ITEM	PART NAME	QUANTITY
①	CARTON	1 CARTON=40 UNITS
②	PALLET	1 PALLET=5 LAYERS =30 CARTONS =1200 UNITS
③	POLYESTER FILM	2 LAYERS MIN. =1200 UNITS

TOLERANCES ±		
ANGULAR	LINEAR	
0.5°	0~6	0.10
	6~30	0.20
	30~80	0.25
	80~180	0.30
	180~315	0.50
	315~800	0.8