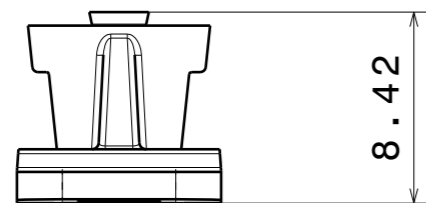
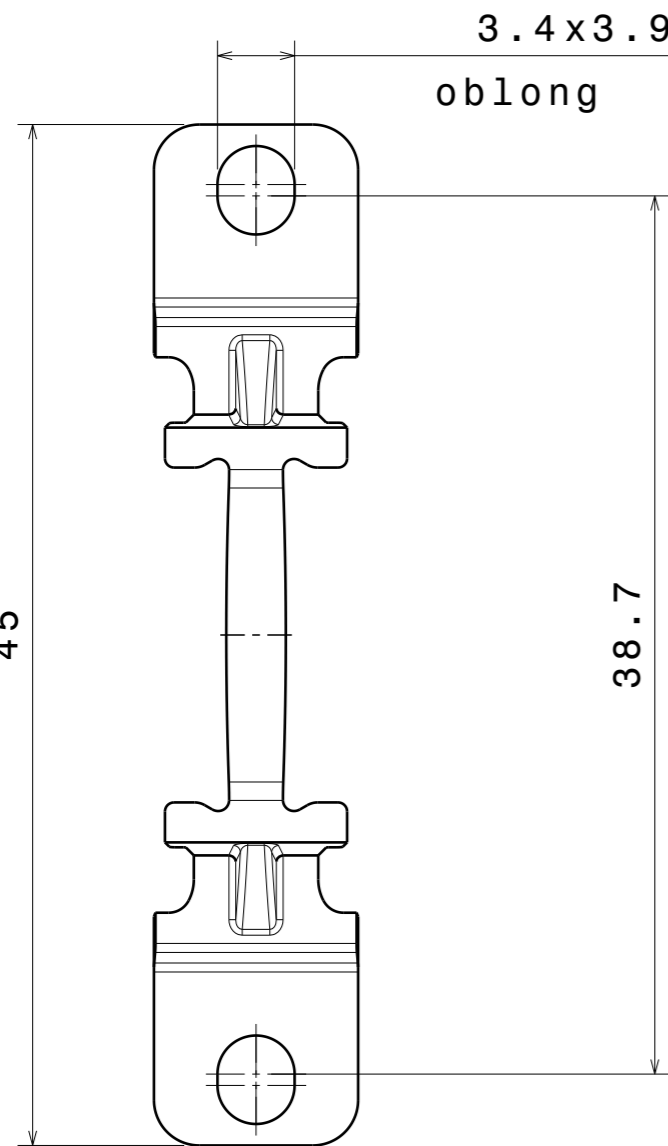


H G F E D C B A



8.42

Side view

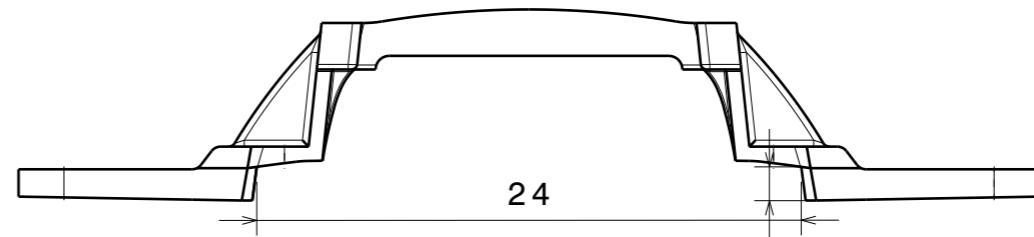


3.4x3.9
oblong

45

38.7

Top view



24
PCB width

1.5

Front view

INDEX	PART NO	DESCRIPTION	MATERIAL	COLOUR
1	C14751	FLORENCE-1R-CLIP-C	PC	clear

Tolerances if not otherwise shown
According to DIN ISO 2768-1
Linear measures:
up to 30mm class M, otherwise class C
According to DIN ISO 2768-2
Form and position: class L

LEDiL LediL Oy
Salorankatu 10
FIN 24240 SALO
Finland

THIRD ANGLE PROJECTION:

DRAWING TITLE
C14751_FLORENCE-1R-CLIP-C

This drawing is the property of LEDiL Oy. It may not be reproduced, copied or communicated without a written agreement with LEDiL Oy.

SIZE	PART NUMBER
A3	C14751

SCALE	1:1	WEIGHT	0,6 g	SHEET	1/1
-------	-----	--------	-------	-------	-----

H G B A