

4

3

2

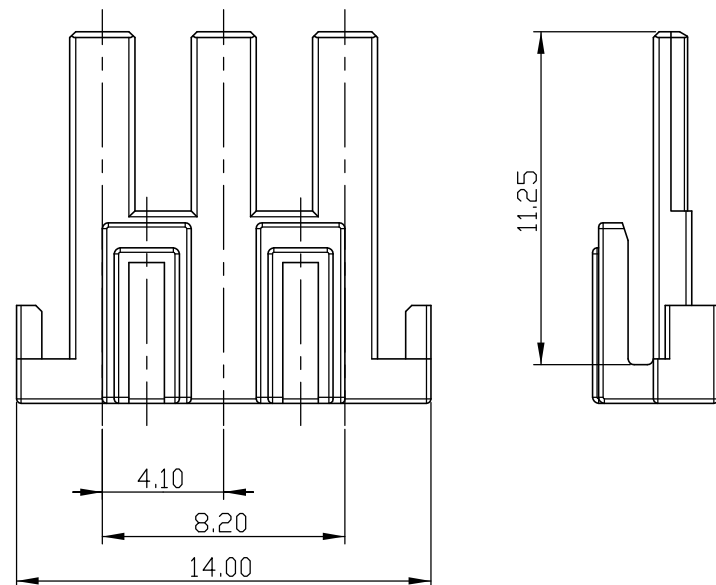
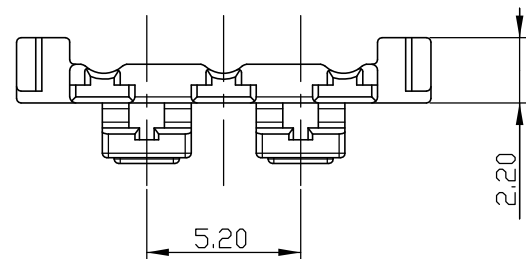
1

THIS DRAWING IS UNPUBLISHED.

RELEASED FOR PUBLICATION

© COPYRIGHT 19 BY TYCO ELECTRONICS CORPORATION. ALL INTERNATIONAL RIGHTS RESERVED.

LOC	DIST	REVISIONS			
P	LTR	DESCRIPTION	DATE	DWN	APVD
DS	-	A	RELEASED	05APR.'10	BH JK



NOTES:
 1.GENERAL TOLERANCES : ±0.3
 2.APPLICABLE PLUG HSG : 2005542-X

2005543-5	DBL PLATE	PC/PET	YELLOW
P/N	DESCRIPTION	MATERIAL	COLOR

THIS DRAWING IS A CONTROLLED DOCUMENT FOR TYCO ELECTRONICS CORPORATION
 IT IS SUBJECT TO CHANGE AND THE CONTROLLING ENGINEERING ORGANIZATION
 SHOULD BE CONTACTED FOR THE LATEST REVISION.

DIMENSIONS: mm	TOLERANCES UNLESS OTHERWISE SPECIFIED: 0 PLC ± 1 PLC ± 2 PLC ± 3 PLC ± 4 PLC ± ANGLES ±
MATERIAL -	FINISH -

DWN BH CHO	AMP,KOREA	
CHK BW KANG	Tyco Electronics kyungsan,korea	
APVD JK SONG	NAME	
PRODUCT SPEC 108-61076	DOUBLE LOCK PLATE FOR BLOWER MOTOR 3P PLUG	
APPLICATION SPEC -	SIZE A3	RESTRICTED TO -
WEIGHT -	CAGE CODE 00779	DRAWING NO C=2005543
CUSTOMER DRAWING	SCALE 4:1	SHEET 1 OF 1 REV A