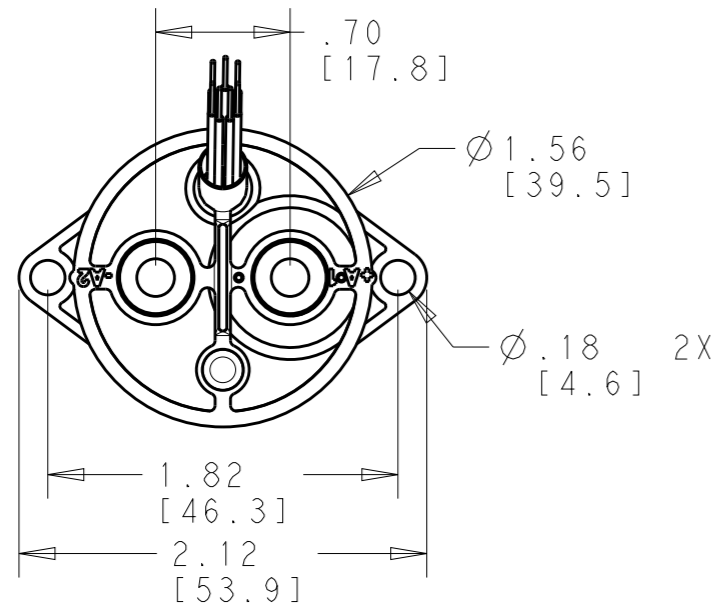


REVISIONS

P	LTR	DESCRIPTION	DATE	DWN	APVD
	A	INITIAL RELEASE	30DEC2016	MP	MP

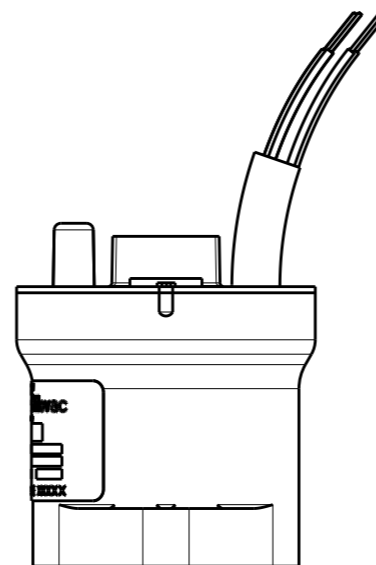
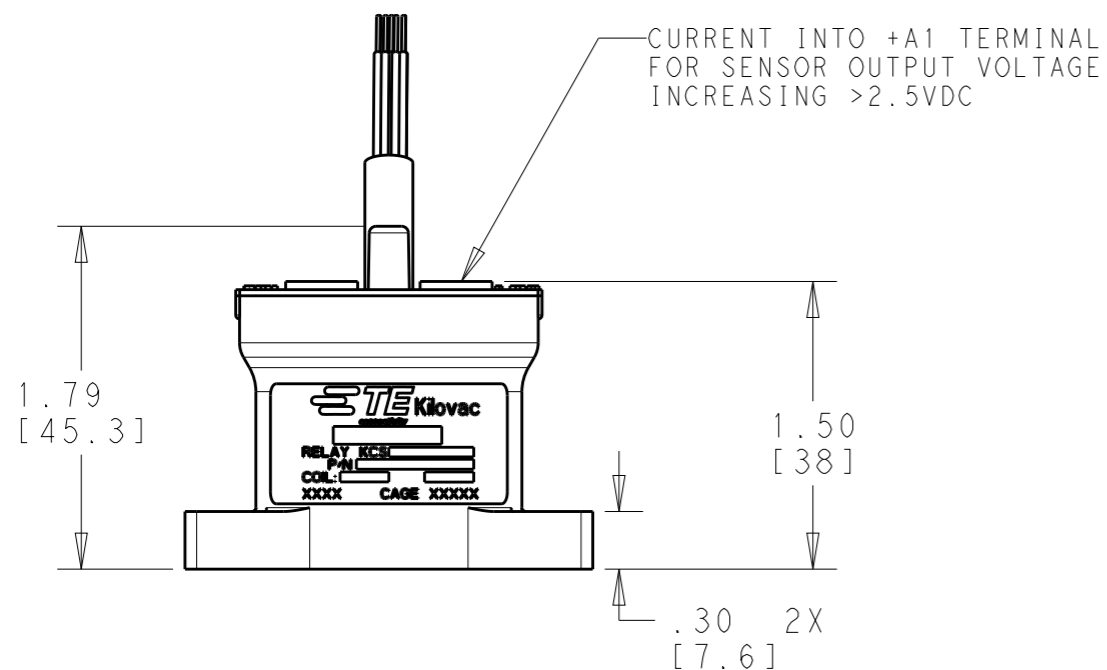


MOUNTING - 2 PLCS (HARDWARE NOT SUPPLIED)
 2 X M4 BOLT, LOCKWASHER AND WASHER
 TORQUE: 20 IN-LBS (2.3 NM) MAX

LOAD TERMINALS-2 PLCS (HARDWARE NOT SUPPLIED)
 2 X M5 BOLT, LOCKWASHER AND WASHER
 TORQUE: 30-40 IN-LBS (3.4 TO 4.5 NM)
 DEPTH: 7 THREADS MAX



OBSERVE PROPER POLARITIES FOR CONTROL LINES
 UNTERMINATED WIRES - USE ESD HANDLING PROCEDURES



NOTES:

- LEAD LENGTH 15" +/- 0.5" FROM TOP OF TERMINAL SEAT
- 26 AWG RED = +V_{coil}
- 26 AWG BLACK = RETURN
- 26 AWG PURPLE = TRIP DELAY/DISABLE
- 26 AWG ORANGE = CURRENT SENSE POWER
- 26 AWG WHITE = CURRENT SENSE OUTPUT
- 26 AWG BLUE = Rx CONNECTION
- 26 AWG YELLOW = Rx CONNECTION

METRIC DIMENSIONS FOR REFERENCE ONLY

WEIGHT: 150 GRAMS MAX

SEE PRODUCT DATA SHEET FOR PERFORMANCE SPECIFICATIONS

THIS DRAWING IS A CONTROLLED DOCUMENT.		DWN MP	30DEC2016	TE Connectivity	
DIMENSIONS: IN		CHK MP	30DEC2016		
TOLERANCES UNLESS OTHERWISE SPECIFIED:		APVD MP	30DEC2016	NAME KCS01X SERIES CONTACTOR, SPST-NO, 100A	
0 PLC ±- 1 PLC ±.1 2 PLC ±.03 3 PLC ± 4 PLC ± ANGLES ±1		PRODUCT SPEC -		SIZE A3	
MATERIAL -		APPLICATION SPEC -		CAGE CODE 18741	DRAWING NO KCS01X_SERIES
FINISH		WEIGHT		RESTRICTED TO -	
CUSTOMER DRAWING			SCALE 1:1	SHEET 1 OF 1	REV A