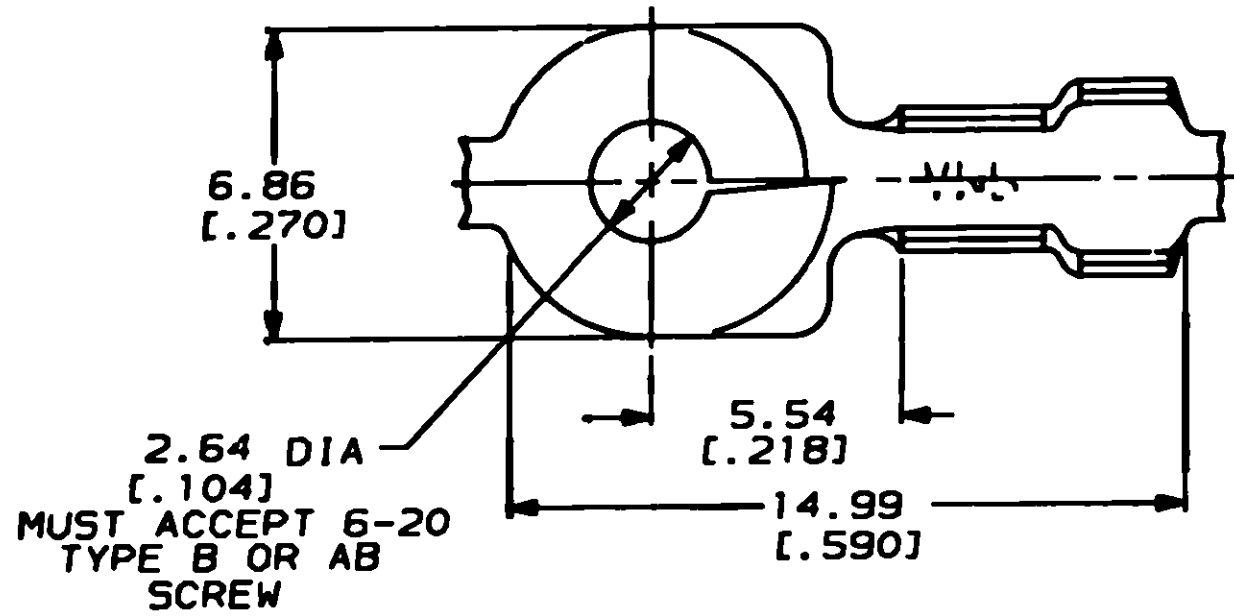
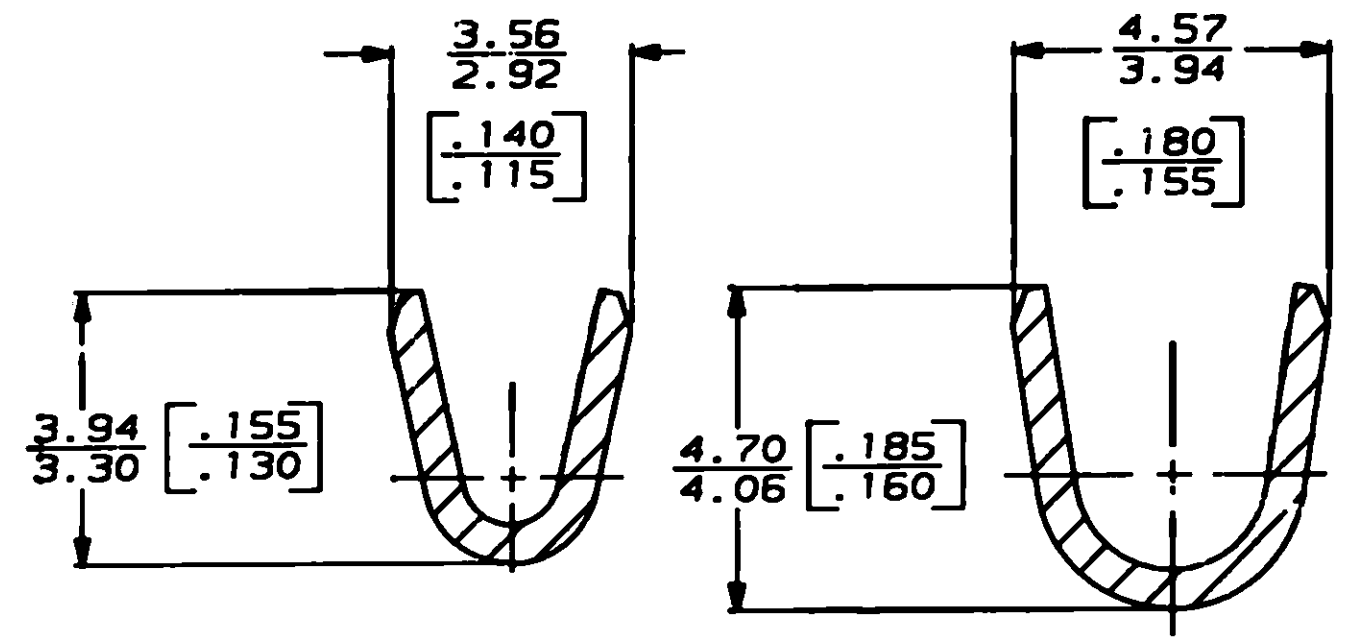


THIS DRAWING IS UNPUBLISHED. RELEASED FOR PUBLICATION .19  
© COPYRIGHT 19 BY AMP INCORPORATED. ALL INTERNATIONAL RIGHTS RESERVED.

LOC	DIST	P	F	REVISIONS				
				ZONE	LTR	DESCRIPTION	DATE	APPD
AF	50				C	REV & REDRAWN AF-7473	8/23/91	PF/JR

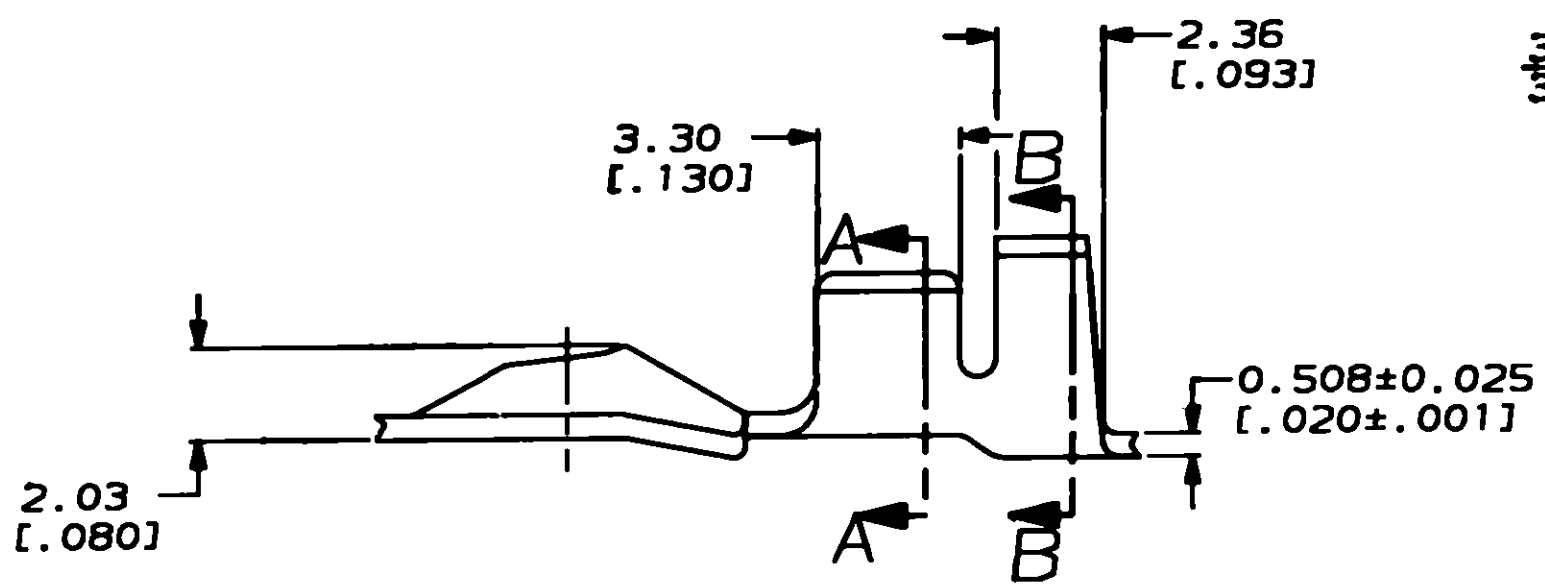


1 CONTINUOUS STRIP ON REEL.



SECTION A-A  
SCALE 10:1

SECTION B-B  
SCALE 10:1



1.90-3.05 DIA [.075-.120]	0.5 - 1.3mm <sup>2</sup> [20-16] AWG	61904-1
INSULATION RANGE	WIRE RANGE	PART NO

DO NOT SCALE PRINT. UNLESS SPECIFIED DIMENSIONS IN mm (INCHES) TOLERANCES ON: 2 PLC DEC = 0.38 (.015) 3 PLC DEC = - ANGLES = -	DR 6/8/91 P FORTNEY	<b>AMP</b> AMP Incorporated Harrisburg, PA 17105-3608
	CHK 6/8/91 JR RUTH	
MATERIAL TYPE 302 SST	APPD 6/8/91 S YETTER	NAME TERMINAL, GROUNDING
	APPD 6/8/91 R HEAVILL	PRODUCT SPEC
FINISH	APPLICATION SPEC	SIZE <b>B</b> COAF CODE 00779 DRAWING NO 61904
	WEIGHT	SCALE 6:1 SHEET 1 OF 1

**METRIC**

CUSTOMER DRAWING