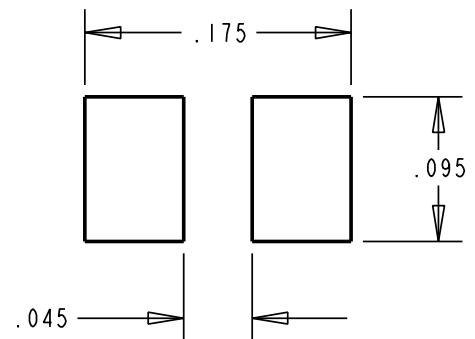
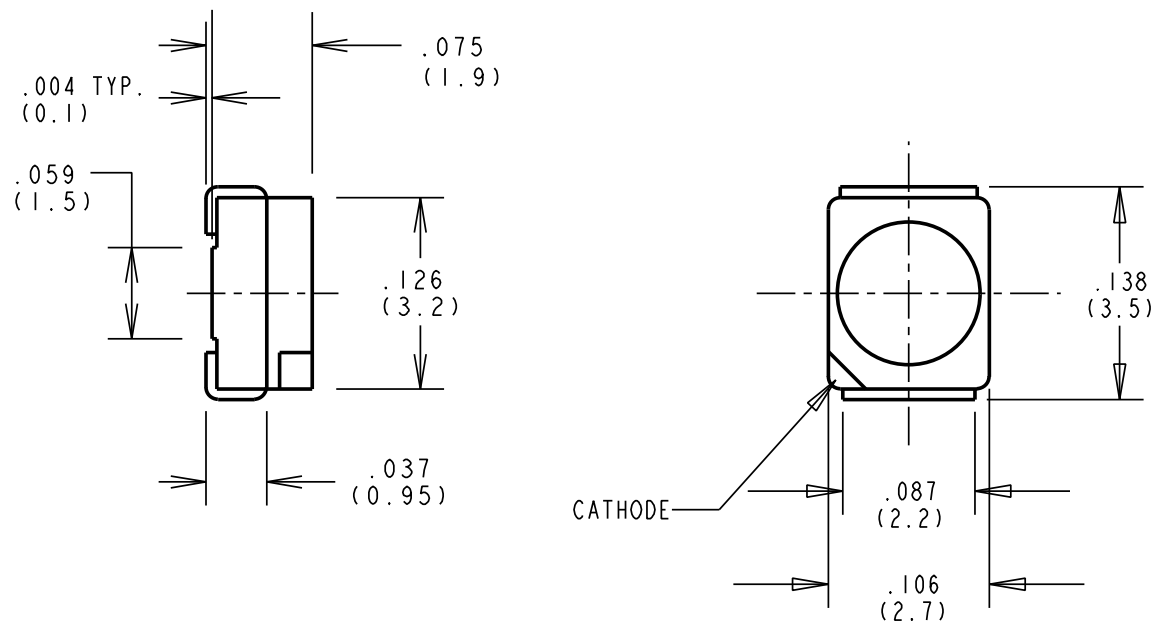
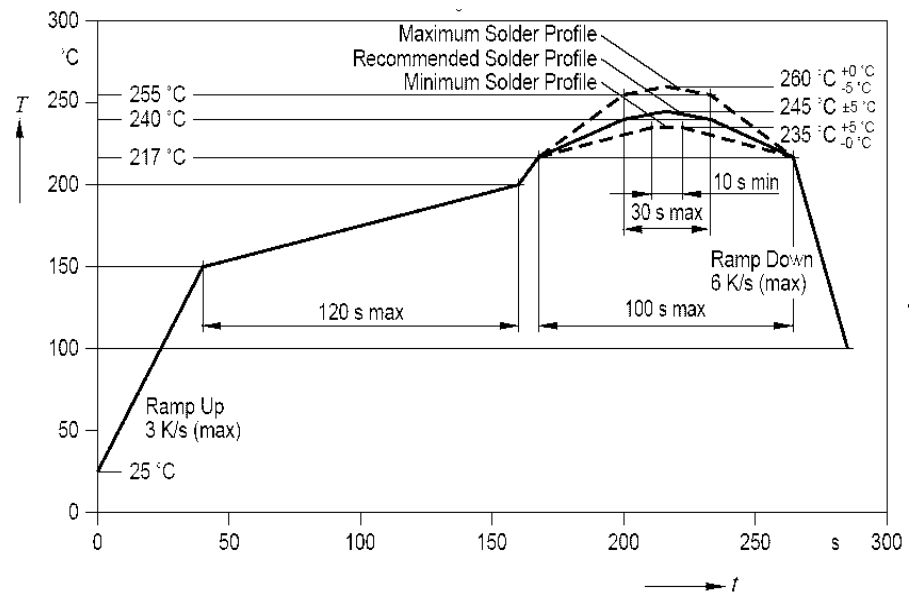


REV	ECN NO	REVISIONS	DRN	CKD	APP	DATE
A		NEW RELEASE	TWC			



RECOMMENDED SOLDER PAD LAYOUT



RoHS REFLOW PROFILE

OPERATING CHARACTERISTICS AT 25° C AMBIENT

LED CHARACTERISTICS	MIN.	TYP.	MAX.	UNITS	TEST CONDITIONS
LUMINOUS INTENSITY	4.0	10		mc d	$I_f = 10 \text{ mA}$
FORWARD VOLTAGE		2.0	2.8	V	$I_f = 20 \text{ mA}$
PEAK WAVELENGTH		630		nm	
2 X 1/2-INTENSITY ANGLE		120		DEGREES	
CAPACITANCE		20		pF	$V_R = 0 \text{ V}, f = 1 \text{ MHz}$

ABSOLUTE MAXIMUM RATINGS AT 25° C AMBIENT

POWER DISSIPATION	100 mW
CONTINUOUS FORWARD CURRENT	30 mA
DERATE LINEARLY FROM 25° C	0.4 mA/°C
PEAK REVERSE VOLTAGE	5 V
OPERATING TEMPERATURE	-55 °C TO +85 °C
STORAGE TEMPERATURE	-55 °C TO +100 °C
IR REFLOW SOLDERING TEMPERATURE	260°C FOR 5 SEC
VAPOR PHASE SOLDERING CONDITION	215 °C FOR 3 MIN

NOTES:

- EPOXY COLOR: WATER CLEAR.
- DIE: GaAsP/GaP HIGH EFF. RED LED.
- LEADS: TIN (Sn) PLATED OVER NICKEL (Ni) ON COPPER ALLOY (Cu) LEAD FRAME.
- SOLDER ADHERANCE: BOTH LEADS PER MIL-STD-202E, METHOD 208C.
- SUFFIX -202F FOR 20-PCS ON A SAMPLE TAPE STRIP.
- SUFFIX -207F FOR 180 mm DIA. REEL, 8 mm WIDE TAPE, PACKAGED 2000-PCS PER REEL WITH A PITCH OF 4 mm.
- DEVICES POSITIONED ON REEL WITH CATHODE SIDE TOWARDS SPROCKET.
- DIALIGHT P/N: 597-3001-202F, 597-3001-207F.
- TAPE AND REEL LEDs MAY REQUIRE RE-TAPING AFTER TWELVE MONTHS.
- THIS PRODUCT IS RoHS COMPLIANT. EACH REEL AND BAG IS MARKED WITH RoHS COMPLIANT LABEL (9100-117-0852-99) OR EQUIVALENT MARKINGS.

THIS DRAWING AND THE CONTENTS HEREIN ARE CONFIDENTIAL AND THE SOLE PROPERTY OF DIALIGHT. REPRODUCTION OF THIS DRAWING OR CONSTRUCTION OF ANY PARTS WITHIN THIS DRAWING ARE FORBIDDEN WITHOUT THE WRITTEN CONSENT OF DIALIGHT.

SCALE: DRAWING SCALE ALL DIM'S IN: INCHES (MM)	DRAWING NUMBER C-17292	REV A
TOLERANCES: UNLESS OTHERWISE SPECIFIED FRACTIONS: ±1/64 DECIMALS (.XX): ±.01 DECIMALS (.XXX): ±.005 DECIMALS (.XXXX): ±.0005 ANGLES: ±1°	TITLE RED SMT PLCC-2 LED RoHS COMPLIANT	MATERIAL
FINISH:		
FSCM 83330	1501 ROUTE 34 SOUTH FARMINGDALE, NJ 07727	
	SHEET 1 OF 1	FAMILY TABLE: