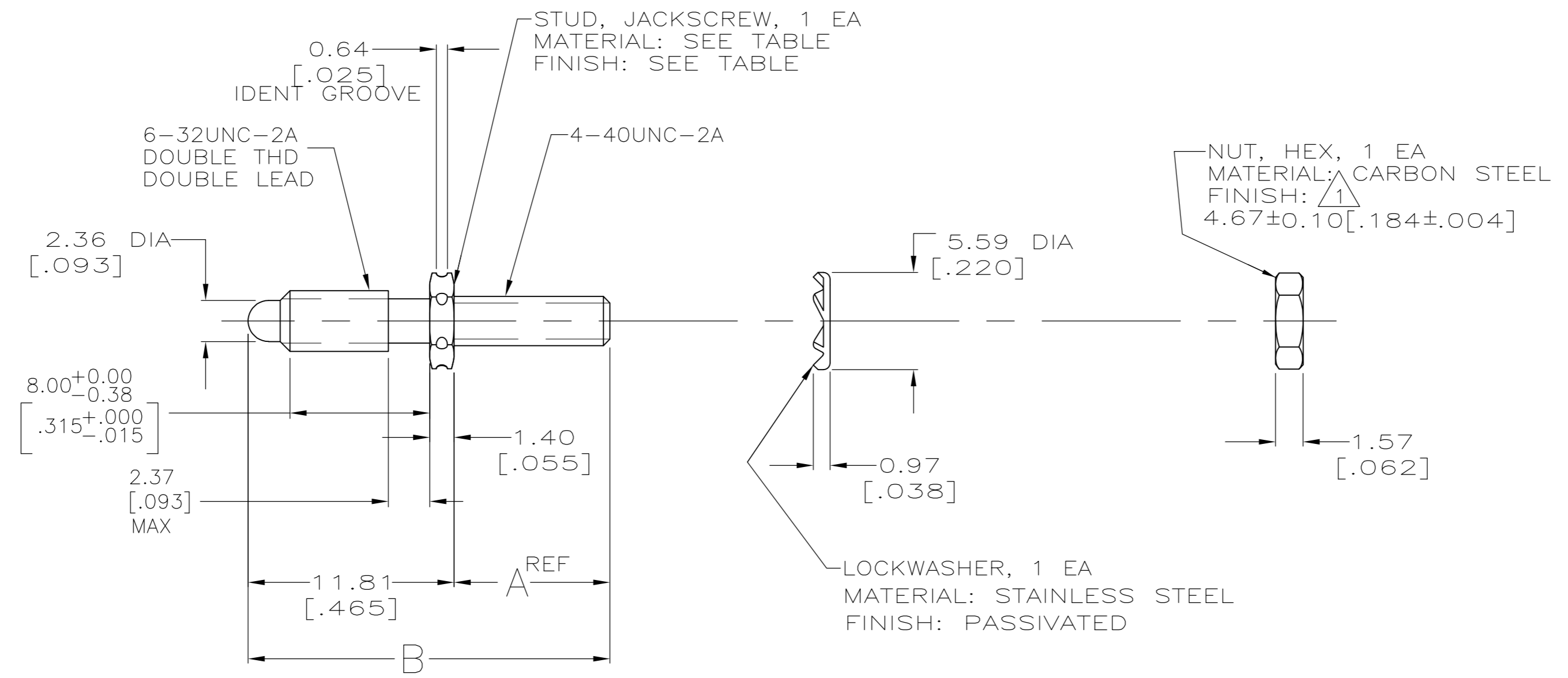


LOC		DIST		REVISIONS					
FT		0		P	LTR	DESCRIPTION	DATE	DWN	APVD
				AG		REVISED PER ECO-10-021995	12JAN11	HMR	MG



$\triangle 1$ ZINC PLATE

-	STAINLESS STL	20.62 [.812]	8.81 [.347]	1-200874-2	
-	STAINLESS STL	23.80 [.937]	11.99 [.472]	200874-3	
SUPERCEDED TO 200874-1	ZINC	CARBON STEEL	20.62 [.812]	8.81 [.347]	200874-2
SUPERCEDED TO 1-200874-2	-	STAINLESS STL	20.62 [.812]	8.81 [.347]	200874-1
FINISH	MATERIAL	B	A	PART NUMBER	
JACKSCREW STUD					

THIS DRAWING IS A CONTROLLED DOCUMENT.		DWN	02/25/92	Tyco Electronics Corporation	
		CHK	2-28-92	Harrisburg, PA 17105-3608	
		R.STONE		NAME	
		APVD		-	
		PRODUCT SPEC		-	
		APPLICATION SPEC		-	
		WEIGHT		-	
MATERIAL		FINISH		SIZE	CAGE CODE
SEE CALLOUT		SEE CALLOUT		A2	00779
		CUSTOMER DRAWING		DRAWING NO	RESTRICTED TO
				C=200874	-
		SCALE		SHEET	REV
		4:1		1 OF 1	AG

200874