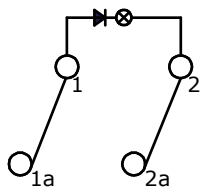


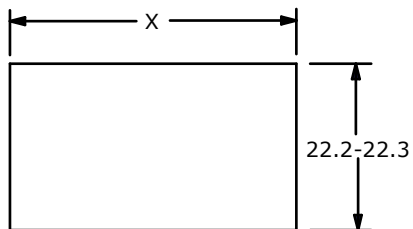
NEON BULB



CIRCUIT: DPST
ON - OFF

PARAMETERS	SYMBOL	MAX.	UNITS
LAMP VOLTAGE(AC)	V	125	V
STARTUP VOLTAGE	Vs	85	V
CURRENT	I	1.2	mA
SERIES RESISTANCE	R	47	Ω

SWITCH FUNCTION		
POS. 1	POS. 2	POS. 3
OFF	NONE	ON
OPEN	N/A	1-1a, 2-2a

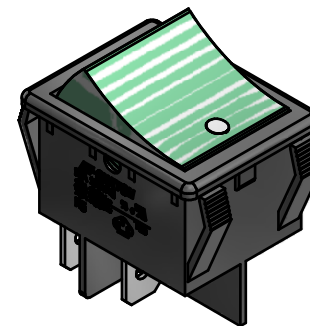
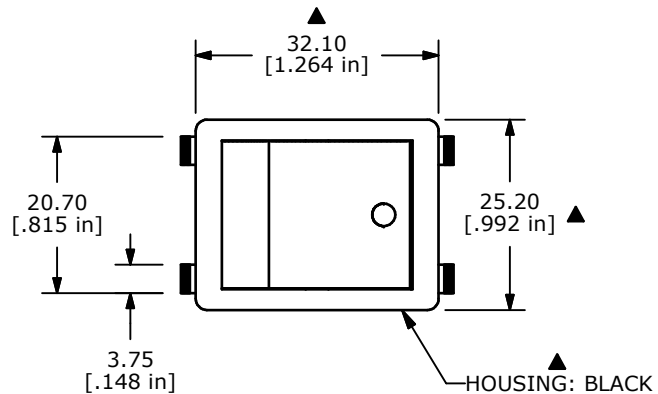


RECOMMENDED PANEL MOUNTING

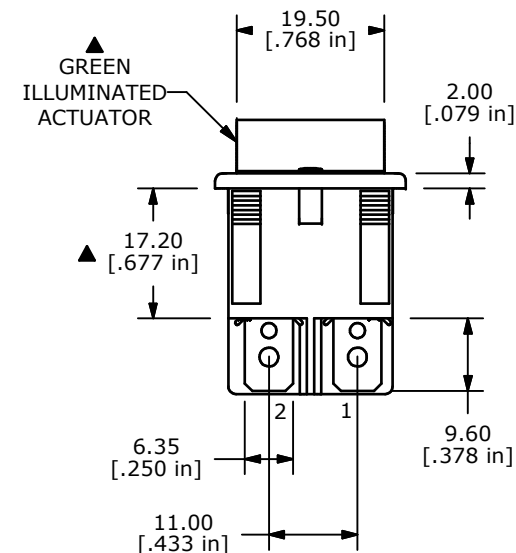
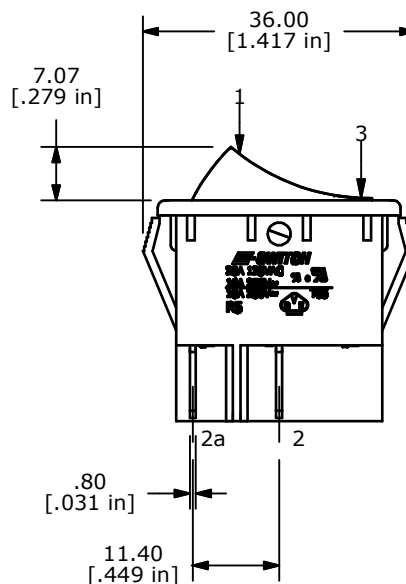
PANEL THICKNESS	X
0.75-1.25	30.0
1.25-2.00	30.2
2.00-3.00	30.6

NOTES:

- ALL DIMENSIONS IN MM [INCH]
- GENERAL TOLERANCE: X.X=±0.4
X.XX=±0.25
- TERM. NOS. FOR REF. ONLY
- RATING: 20A @125VAC;
16A @250VAC.
- LAMP VOLTAGE: 125VAC (NEON BULB)
- MATERIAL:
CONTACT SURFACE: COIN SILVER, SILVER PLATED.
TERMINAL: COPPER ALLOY w/SILVER PLATE
- ELECTRICAL LIFE: 10,000 CYCLES
- MECHANICAL LIFE: 30,000 CYCLES
- CONTACT RESISTANCE: <20 MILLI-OHMS INITIAL
- DIELECTRIC STRENGTH: >1,500V AC 1MIN
>3,000V BETWEEN POLES.
- ▲ DENOTES CRITICAL PARAMETER.
- 2002/95/EC (ROHS) COMPLIANT



ISOMETRIC



TITLE R5BBLKGRNAF1

A	17429	RELEASED FOR PRODUCTION	7/3/07	TN
REV	PCR NO	DESCRIPTION	DATE	BY

SCALE	DATE	DR	DWG	REV
1:1	7/3/2007	TN	M050255	A

THE INFORMATION CONTAINED IN THIS DOCUMENT IS PROPRIETARY TO E-SWITCH AND IS NOT TO BE COPIED OR TRANSFERRED