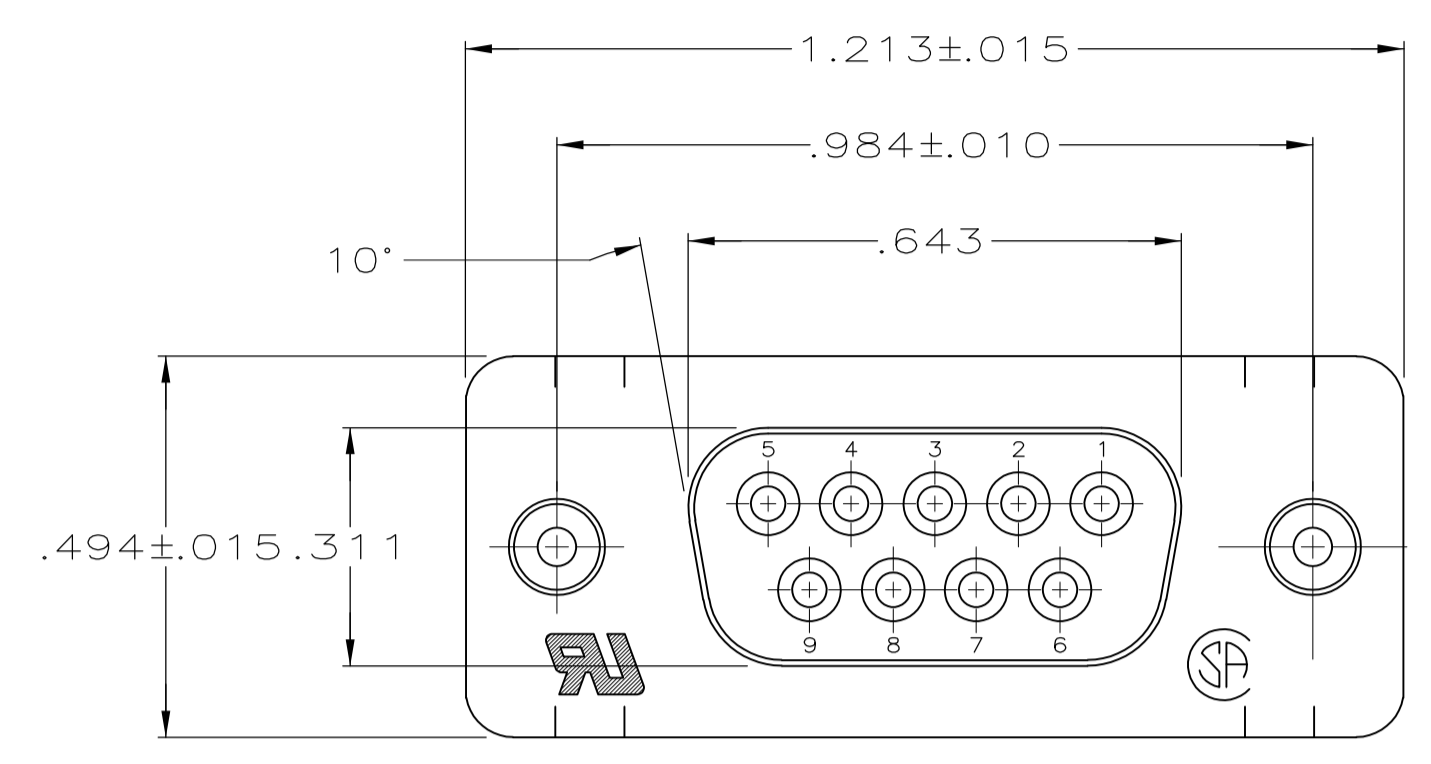
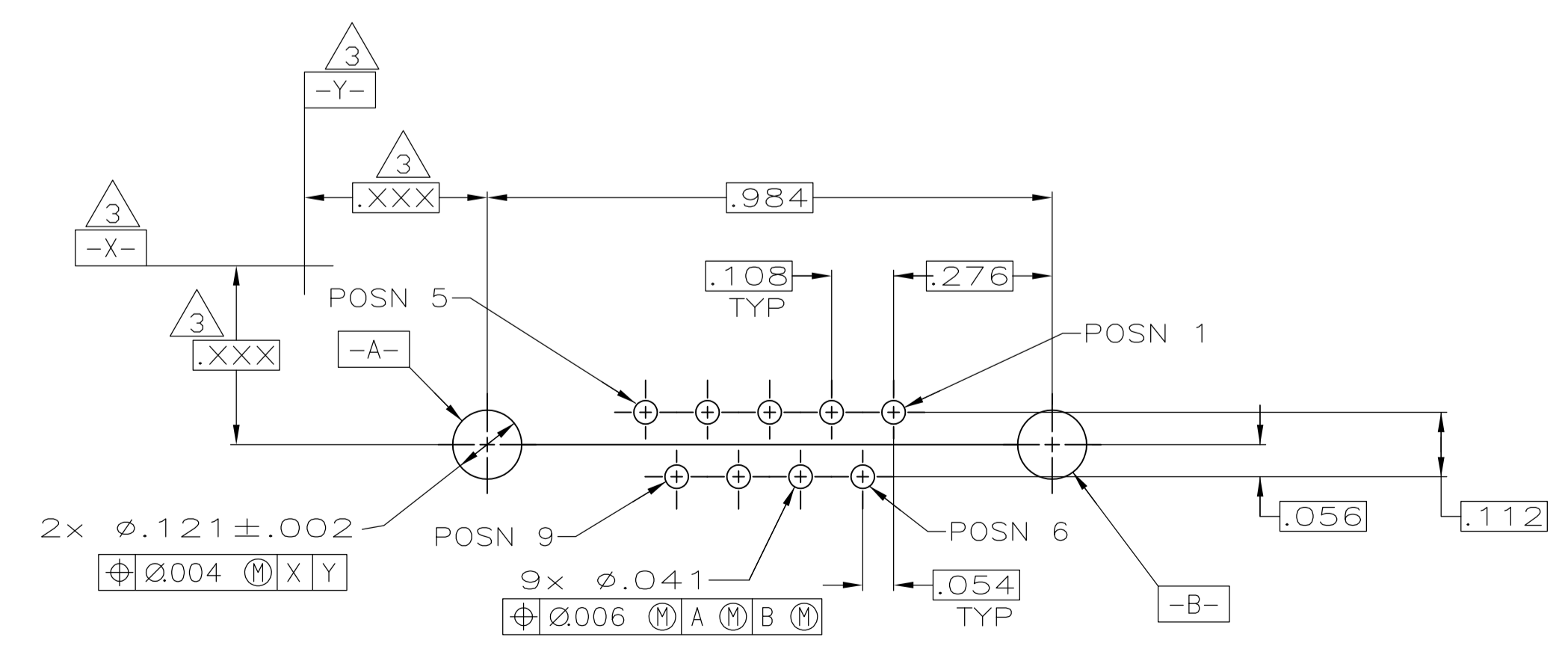
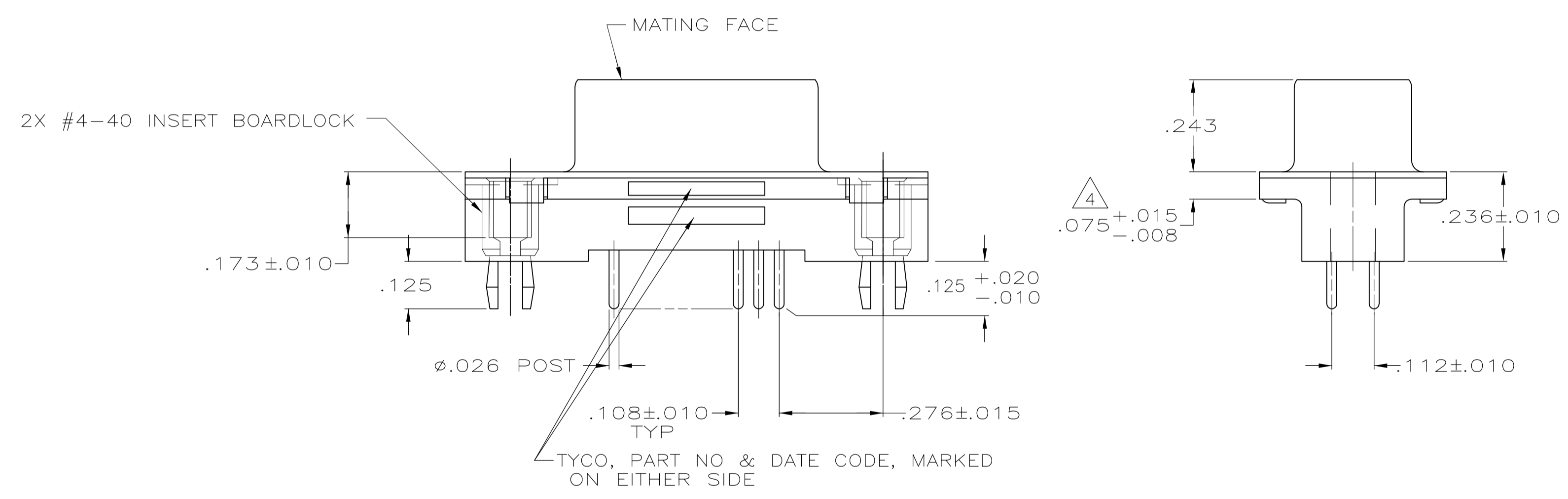


REVISIONS					
P	LTR	DESCRIPTION	DATE	DMN	APVD
B		REVISED PER ECO-16-001548	24FEB2016	AP	DG



- 1 HOUSING: FLAME RETARDANT, 94V-0 RATED, THERMOPLASTIC; COLOR: BLACK.
SHELL: CARBON STEEL.
CONTACTS: PHOS BRONZE.
INSERT BOARDLOCKS: BRASS.
- 2 SHELL: .000200 MIN TIN OVER .000100 MIN COPPER.
CONTACTS: .000030 MIN GOLD FOR LENGTH OF .100 MIN FROM MATING END, .000100 MIN TIN ON TERMINATION END, ALL OVER .000050 MIN NICKEL ON ENTIRE CONTACT.
INSERT BOARDLOCKS: .000150 MIN TIN OVER .000100 MIN COPPER.
- 3 DATUMS AND BASIC DIMENSIONS ESTABLISHED BY CUSTOMER.
- 4 .110 MAX IN SHELL TAB CLINCH AREAS.



PC BOARD MOUNTING DIMENSIONS
 CONNECTOR SIDE OF BOARD
 .062 PC BOARD THICKNESS

COPYRIGHT 2005
 TE CONNECTIVITY CORP
 ALL RIGHTS RESERVED

2-5747706-0
 PART NO

THIS DRAWING IS A CONTROLLED DOCUMENT.		DIN B. LATTUCA 28SEPT05	TE Connectivity	
DIMENSIONS: INCHES		CHK S. BOLASH 28SEPT05	NAME	
TOLERANCES UNLESS OTHERWISE SPECIFIED:		APPD M. WALMSLEY 28SEPT05	PRODUCT SPEC	
0 PLC ± -	1 PLC ± -	108-40025		
2 PLC ± -	3 PLC ± .005	APPLICATION SPEC		
4 PLC ± -	ANGLES ± -	114-40023	RESTRICTED TO	
MATERIAL	FINISH	WEIGHT	SIZE	CAGE CODE
1	2	-	A1	00779
CUSTOMER DRAWING		SCALE 4:1	SHEET 1 OF 1	REV B