

# TL1L4-WH0,L

LETERAS™

LETERAS™ is a trademark of TOSHIBA CORPORATION.

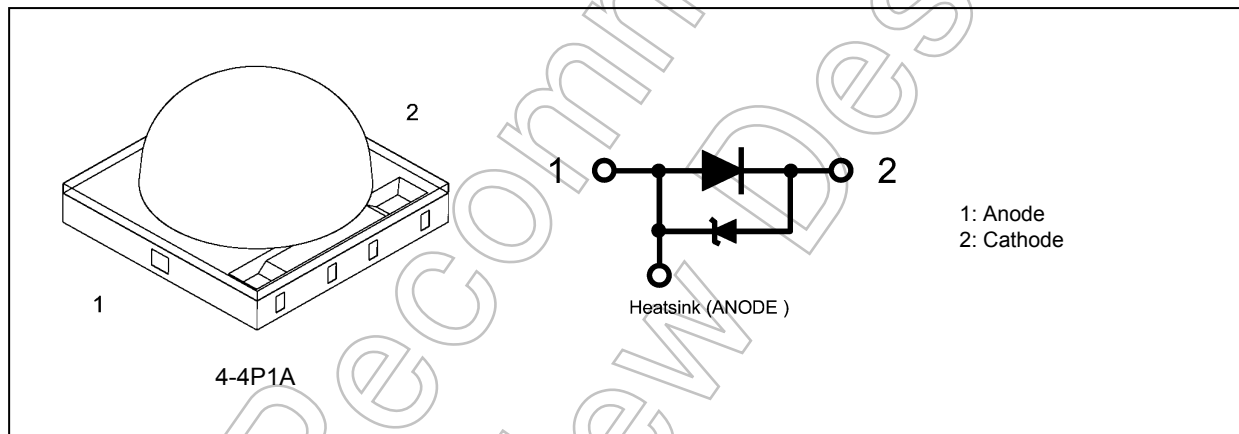
## 1. Applications

- General Lighting

## 2. Features

- (1) Size: 3.5 (L) mm × 3.5 (W) mm × 2.05 (H) mm
- (2) High luminous flux LED: 160 lm (typ.) @ $I_F = 350$  mA,  $T_a = 25$  °C
- (3) Hot Binning: Tested at operating temperature similar to actual set condition.  
135 lm (typ.) @ $I_F = 350$  mA,  $T_j = 85$  °C
- (4)  $I_F$  Absolute Maximum Ratings: 1.5 A (max) @ $T_a = 25$  °C
- (5) Operating temperature range:  $T_{opr} = -40$  to 125 °C
- (6) Color: White (color temperature: 4000 K (typ.))
- (7) Color Rendering Index:  $R_a = 70$  (min)

## 3. Packaging and Pin Assignment



Start of commercial production

2015-02

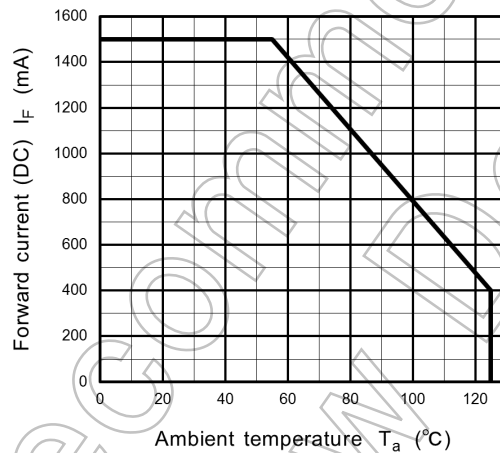
**4. Absolute Maximum Ratings (Note) (Unless otherwise specified,  $T_a = 25\text{ }^\circ\text{C}$ )**

| Characteristics          | Symbol    | Note     | Rating     | Unit             |
|--------------------------|-----------|----------|------------|------------------|
| Forward current (DC)     | $I_F$     |          | 1500       | mA               |
| Forward current (pulsed) | $I_{FP}$  | (Note 1) | 2000       |                  |
| Power dissipation        | $P_D$     |          | 5.1        | W                |
| Operating temperature    | $T_{opr}$ |          | -40 to 125 | $^\circ\text{C}$ |
| Storage temperature      | $T_{stg}$ |          | -40 to 125 |                  |
| Junction temperature     | $T_j$     |          | 150        |                  |

Note: Using continuously under heavy loads (e.g. the application of high temperature/current/voltage and the significant change in temperature, etc.) may cause this product to decrease in the reliability significantly even if the operating conditions (i.e. operating temperature/current/voltage, etc.) are within the absolute maximum ratings.

Please design the appropriate reliability upon reviewing the Toshiba Semiconductor Reliability Handbook ("Handling Precautions"/"Derating Concept and Methods") and individual reliability data (i.e. reliability test report and estimated failure rate, etc).

Note 1: Pulse width 10 ms, duty = 1/10



**Fig. 4.1  $I_F - T_a$  (Note)**

Note: The junction-to-ambient thermal resistance,  $R_{th(j-a)}$ , should be kept below  $20\text{ }^\circ\text{C/W}$  so that this product is not exposed to a condition beyond the absolute maximum ratings.

$R_{th(j-a)}$ : Thermal resistance from the LED junction to ambient temperature

## 5. Handling Precautions

- This product is sensitive to electrostatic and care must be fully taken when handling products. Particularly in the case that an overvoltage shall be applied, the overflowed energy may cause damage to or possibly result in destruction of the product. Users shall take absolutely secure countermeasures against electrostatic and surge when handling the product.
- A damage to the device might create a tiny leakage path, which causes the LED lamp not to light up in the low-current region or causes a drop in the  $V_F$  rise voltage.  
Failure criterion:  $I_F \geq 0.5 \text{ mA} @ V_F = 2 \text{ V}$
- If multiple LEDs are connected in parallel, they will experience variations in the forward current due to the characteristics differences in forward voltage. Ensure that the forward current of all the LEDs fall within the intended range of the system design, for example, by inserting current-limiting resistors to each LED string.
- Since this product is intended to be used for display lighting, the measurement standard is based on the spectral sensitivity of the human eye. It is not intended to be used for any applications other than display lighting (e.g., sensors and light communications systems.)
- Generally, GaN-based LEDs exhibit instability or significant device-to-device variations in the relative luminous flux in the low-current region. To avoid these problems, an application system should be designed in such a manner that the GaN-based LEDs are driven with a forward current of 10 mA or higher.
- This device should not be reverse-biased.
- When the device is used in places that are likely to be exposed to condensation, salt or corrosive gas, the effect on its performance and reliability must be thoroughly verified. Gases produced from the materials of luminaires might affect the LED characteristics. To avoid any problem, appropriate materials should be selected and verified empirically that they do not have any adverse effect.
- Volatile organic compounds (VOCs) can be generated from adhesives, hardeners, packing, solder flux and etc. used in luminaires (fixtures). The LED encapsulant may be permeable to those chemicals. If VOCs are exposed to heat or light in hermetically sealed conditions, the inside or the surface of the LED package may be discolored over time, causing a loss of light output from the luminaires. When the LED is used in hermetically sealed conditions, it should be verified empirically that the LED will not be affected adversely by any VOCs.  
Also the LED may be subject to discoloration when it is even temporarily placed in an environment in which VOCs are absorbed into its encapsulant. So it is advisable to rinse the PC board before attaching it onto the luminaires.
- Please note the handling of products during evaluation.
  - (1) Please do not apply pressure to the upper surface of the product with finger, tweezers, and others.  
Failure of product to light up may occur due to package deformation, wire deformation and/or disconnection.
  - (2) Should tweezers be used in product handling, one with flat surfaces is recommended.
  - (3) Please handle the product widthwise.
  - (4) Please do not drop the product. There is a possibility for package transformation etc. to occur when the product is dropped.
  - (5) Please do not stack the printed circuit boards on which the product is mounted to prevent damages to product surface. Also, please note not to damage the surface of the product with cushioning material etc. Surface damage to the product may influence their optical characteristics.
  - (6) Solder, flux, paper or heat-sensitive materials that might be deformed or discolored at high temperatures should not be left on the surface of an LED lamp.
- Extreme care should be exercised when using this device for high-power applications:
  - (1) Do not directly touch this device during active operation because it becomes hot, depending on the operating power.
  - (2) Take a possible rise in ambient temperature around this device and the heat-resistant temperature of the system components into consideration.

**6. Electrical Characteristics**

| Characteristics                                  | Symbol        | Note     | Test Condition  | Min | Typ. | Max | Unit               |
|--|---------------|----------|---|-----|------|-----|--------------------|
| Forward voltage (Hot Binning)                    | $V_F$ (HB)    |          | $I_F = 350 \text{ mA}, T_j = 85 \text{ }^\circ\text{C}$ | 2.6 | 2.8  | 3.2 | V                  |
| Thermal resistance (junction-to-soldering point) | $R_{th(j-s)}$ | (Note 1) | $I_F = 350 \text{ mA}, T_a = 25 \text{ }^\circ\text{C}$ | —   | 5    | —   | $^\circ\text{C/W}$ |

Note 1:  $R_{th(j-s)}$ : Thermal resistance from the LED junction to solder point.

**Table 6.1 Forward Voltage (Hot Binning) Rank (Note)**

| Rank | Test Condition  | Forward Voltage (Min) | Forward Voltage (Max) | Unit |
|------|---|-----------------------|-----------------------|------|
| 1    | $I_F = 350 \text{ mA}, T_j = 85 \text{ }^\circ\text{C}, \text{ Tolerance } \pm 0.1 \text{ V}$ | 2.6                   | 2.8                   | V    |
| 2    |   | 2.8                   | 3.0                   |      |
| 3    |   | 3.0                   | 3.2                   |      |

Note: This LED lamp is sorted into forward voltage ( $V_F$ ) ranks shown above. Each reel includes the same rank LEDs. Let the delivery ratio of each rank be unquestioned.

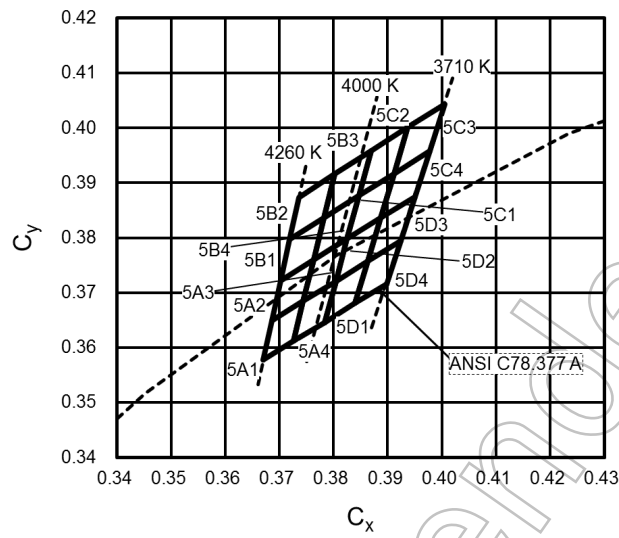
**7. Optical Characteristics**

| Characteristics                    | Symbol          | Note     | Test Condition  | Min                      | Typ. | Max | Unit     |
|------------------------------------|-----------------|----------|---|--------------------------|------|-----|----------|
| Luminous flux                      | $\phi_V$        | (Note 1) | $I_F = 350 \text{ mA}, T_a = 25 \text{ }^\circ\text{C}$ | —                        | 160  | —   | lm       |
| Luminous flux(Hot Binning)         | $\phi_V$ (HB)   | (Note 2) | $I_F = 350 \text{ mA}, T_j = 85 \text{ }^\circ\text{C}$ | 130                      | 135  | 160 |          |
| Chromaticity(Hot Binning)          | $C_x$ (HB)      |          |   | See Fig. 7.1, Table 7.1. |      |     | —        |
| Chromaticity(Hot Binning)          | $C_y$ (HB)      |          |   | —                        |      |     |          |
| Color temperature(Hot Binning)     | CCT(HB)         |          |   | —                        | 4000 | —   | K        |
| Color rendering index(Hot Binning) | $R_a$ (HB)      | (Note 3) |   | 70                       | —    | —   | —        |
| Half-intensity angle               | $2\theta_{1/2}$ |          | $I_F = 350 \text{ mA}, T_a = 25 \text{ }^\circ\text{C}$ | —                        | 120  | —   | $^\circ$ |

Note 1: Luminous flux value ( $I_F = 350 \text{ mA}, T_a = 25 \text{ }^\circ\text{C}$ ) is presented for reference only.

Note 2: See Table 7.2 for luminous flux rank.

Note 3: Tolerance:  $\pm 2$



**Fig. 7.1 Chromaticity (Hot Binning) Rank (Note)**

Note: Test conditions:  $I_F = 350 \text{ mA}$ ,  $T_j = 85 \text{ }^\circ\text{C}$ , Tolerance:  $\pm 0.01$

Not Recommended for New Design

**Table 7.1 Chromaticity (Hot Binning) Rank (Note)**

| Rank | C <sub>x</sub> | C <sub>y</sub> | Rank | C <sub>x</sub> | C <sub>y</sub> |
|------|----------------|----------------|------|----------------|----------------|
| 5A1  | 0.3670         | 0.3578         | 5C1  | 0.3825         | 0.3798         |
|      | 0.3686         | 0.3649         |      | 0.3847         | 0.3877         |
|      | 0.3744         | 0.3685         |      | 0.3912         | 0.3917         |
|      | 0.3726         | 0.3612         |      | 0.3887         | 0.3836         |
| 5A2  | 0.3686         | 0.3649         | 5C2  | 0.3847         | 0.3877         |
|      | 0.3702         | 0.3722         |      | 0.3869         | 0.3958         |
|      | 0.3763         | 0.3760         |      | 0.3937         | 0.4001         |
|      | 0.3744         | 0.3685         |      | 0.3912         | 0.3917         |
| 5A3  | 0.3744         | 0.3685         | 5C3  | 0.3912         | 0.3917         |
|      | 0.3763         | 0.3760         |      | 0.3937         | 0.4001         |
|      | 0.3825         | 0.3798         |      | 0.4006         | 0.4044         |
|      | 0.3804         | 0.3721         |      | 0.3978         | 0.3958         |
| 5A4  | 0.3726         | 0.3612         | 5C4  | 0.3887         | 0.3836         |
|      | 0.3744         | 0.3685         |      | 0.3912         | 0.3917         |
|      | 0.3804         | 0.3721         |      | 0.3978         | 0.3958         |
|      | 0.3783         | 0.3646         |      | 0.3950         | 0.3875         |
| 5B1  | 0.3702         | 0.3722         | 5D1  | 0.3783         | 0.3646         |
|      | 0.3719         | 0.3797         |      | 0.3804         | 0.3721         |
|      | 0.3782         | 0.3837         |      | 0.3863         | 0.3758         |
|      | 0.3763         | 0.3760         |      | 0.3840         | 0.3681         |
| 5B2  | 0.3719         | 0.3797         | 5D2  | 0.3804         | 0.3721         |
|      | 0.3736         | 0.3874         |      | 0.3825         | 0.3798         |
|      | 0.3802         | 0.3916         |      | 0.3887         | 0.3836         |
|      | 0.3782         | 0.3837         |      | 0.3863         | 0.3758         |
| 5B3  | 0.3782         | 0.3837         | 5D3  | 0.3863         | 0.3758         |
|      | 0.3802         | 0.3916         |      | 0.3887         | 0.3836         |
|      | 0.3869         | 0.3958         |      | 0.3950         | 0.3875         |
|      | 0.3847         | 0.3877         |      | 0.3924         | 0.3794         |
| 5B4  | 0.3763         | 0.3760         | 5D4  | 0.3840         | 0.3681         |
|      | 0.3782         | 0.3837         |      | 0.3863         | 0.3758         |
|      | 0.3847         | 0.3877         |      | 0.3924         | 0.3794         |
|      | 0.3825         | 0.3798         |      | 0.3898         | 0.3716         |

Note: This LED lamp is sorted into chromaticity coordinate groups shown above. Each reel includes the same rank LEDs. Let the delivery ratio of each rank be unquestioned.

**Table 7.2 Luminous Flux (Hot Binning) Rank (Note)**

| Rank | Test Condition   | Luminous Flux (Min) | Luminous Flux (Max) | Unit |
|------|--|---------------------|---------------------|------|
| B13A | $I_F = 350 \text{ mA}$ , $T_j = 85 \text{ }^\circ\text{C}$ , Tolerance $\pm 10 \%$ | 130                 | 135                 | lm   |
| B13B |  | 135                 | 140                 |      |
| B14A |  | 140                 | 145                 |      |
| B14B |  | 145                 | 150                 |      |
| B15A |  | 150                 | 155                 |      |
| B15B |  | 155                 | 160                 |      |

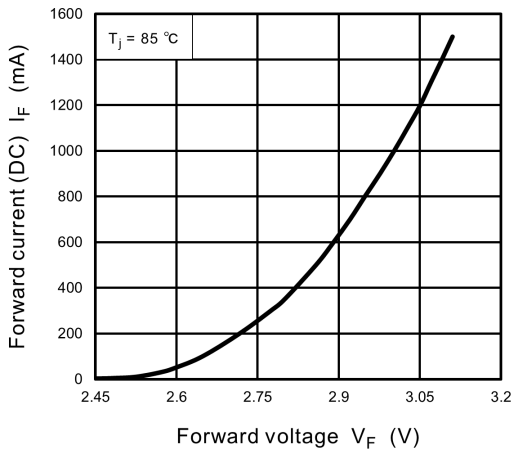
Note: This LED lamp is sorted into luminous flux ranks shown above. Each reel includes the same rank LEDs. Let the delivery ratio of each rank be unquestioned.

Rank notations: The luminous flux, chromaticity and  $V_F$  ranks are printed on labels as shown below:

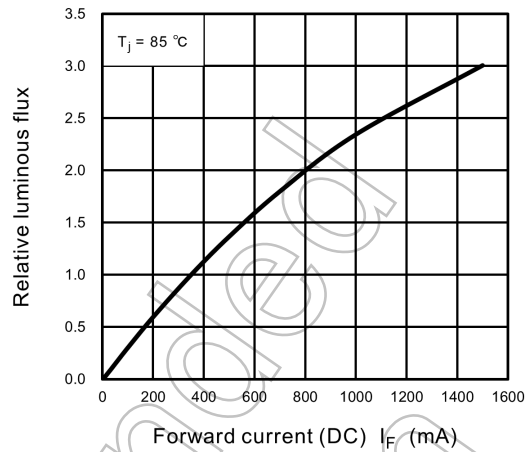
Example: 5A1 B13A 2  
 5A1: Chromaticity rank  
 B13A: Luminous flux rank  
 2:  $V_F$  rank

Not Recommended for New Design

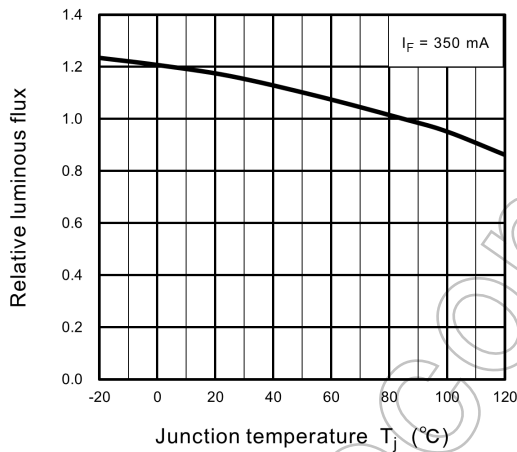
**8. Characteristics Curves (Note)**



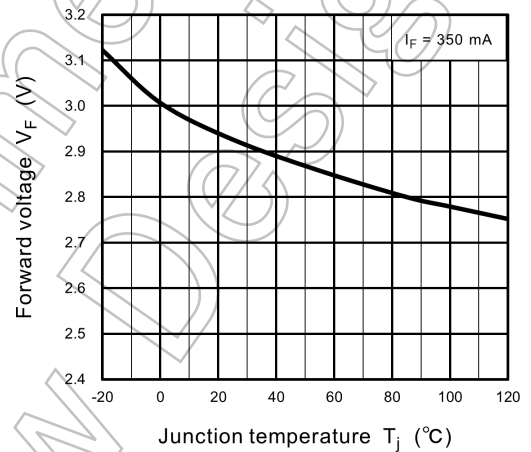
**Fig. 8.1  $I_F - V_F$**



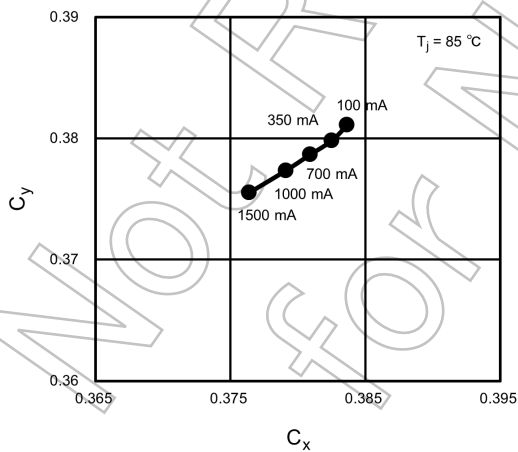
**Fig. 8.2 Relative Luminous Flux -  $I_F$**



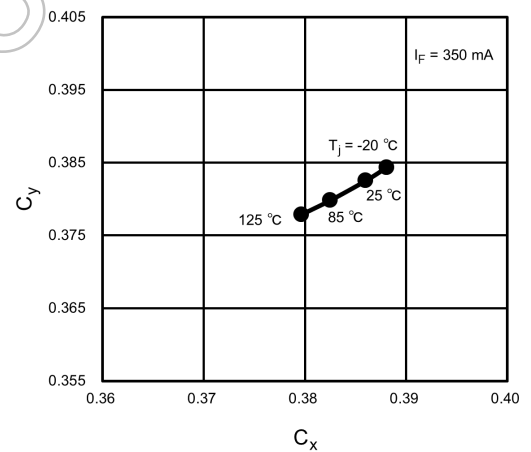
**Fig. 8.3 Relative Luminous Flux -  $T_j$**



**Fig. 8.4  $V_F - T_j$**

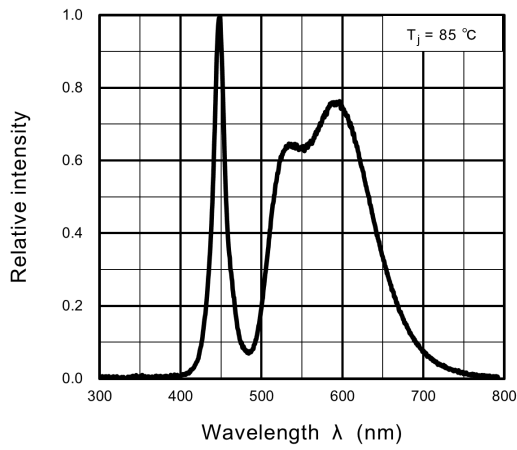


**Fig. 8.5 Chromaticity -  $I_F$**

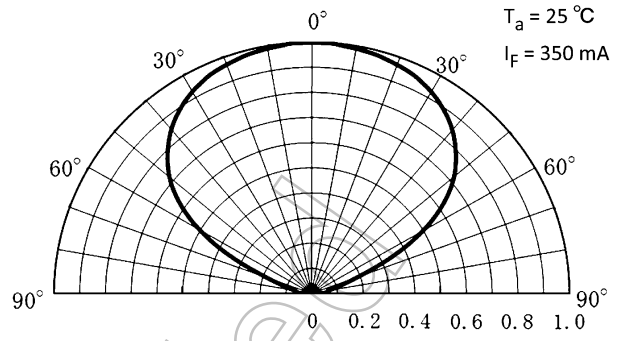


**Fig. 8.6 Chromaticity -  $T_j$**





**Fig. 8.7 Wavelength Characteristic**



**Fig. 8.8 Radiation Pattern**

Note: The above characteristics curves are presented for reference only and not guaranteed by production test, unless otherwise noted.

Not Recommended for New Design

## 9. Packing

### 9.1. Moisture-Proof Packing

These LED devices are packed in an aluminum envelope with a silica gel and a moisture indicator to avoid moisture absorption. The optical characteristics of the device may be affected by exposure to moisture in the air before soldering and the device should therefore be stored under the following conditions:

- This moisture proof bag may be stored unopened within 12 months at the following conditions.  
Temperature: 5 °C to 30 °C  
Humidity: 90 % (max)
- After opening the moisture proof bag, the device should be assembled within 4 weeks in an environment of 5 °C to 30 °C/60 % RH or below.
- If upon opening, the moisture indicator card shows humidity 30 % or above (Color of indication changes to pink) or the expiration date has passed, the device should be baked in taping with reel.  
After baking, use the baked device within 72 hours, but perform baking only once.  
Baking conditions: 60 ± 5 °C, for 12 to 24 hours.  
Expiration date: 12 months from sealing date, which is imprinted on the label affixed.
- Repeated baking can cause the peeling strength of the taping to change, then leads to trouble in mounting. Furthermore, prevent the devices from being destructed against static electricity for baking of it.
- If the packing material of laminate would be broken, the hermeticity would deteriorate. Therefore, do not throw or drop the packed devices.

## 10. Mounting

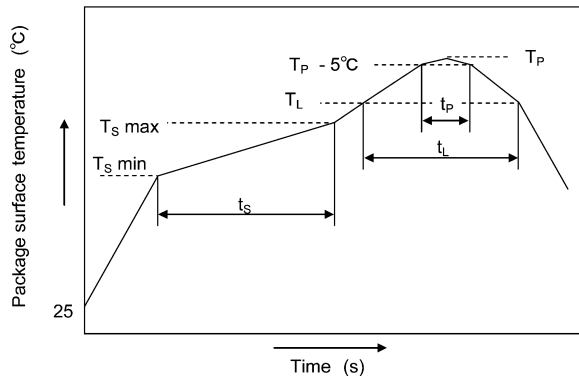
### 10.1. Mounting Precautions

- Do not apply mechanical stress to the resin body at high temperature.  
The time taken for a device to return to the room temperature after reflow soldering depends on the mounting board and environmental conditions.
- The resin body is easily scratched. Avoid friction against hard materials.
- When installing an assembled board into equipment, ensure that the devices on the board do not contact with other components.

**10.2. Soldering**

Following show examples of reflow soldering.

- Temperature Profile (see following figures.)



**Fig. 10.2.1 Temperature Profile for Lead(Pb)-free Soldering (example)**

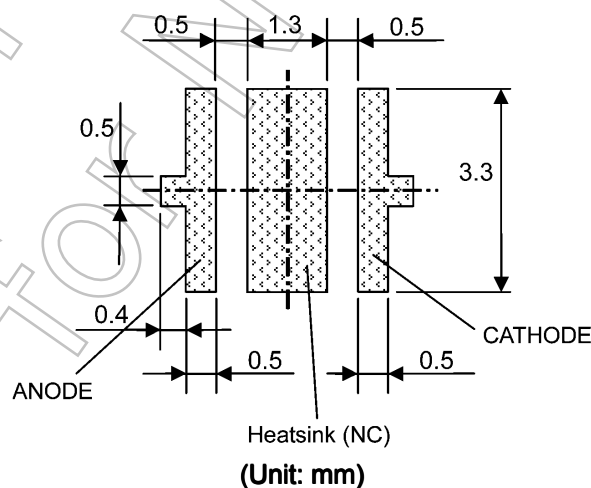
|  | Symbol | Min | Max | Unit |
|--|--------|-----|-----|------|
| Ramp-up rate (25 to 150°C)                 |        | 1   | 3   | °C/s |
| Preheat temperature                        | $T_S$  | 150 | 200 | °C   |
| Preheat time                               | $t_s$  | 60  | 120 | s    |
| Ramp-up rate ( $T_L$ to $T_P$ )            |        | 1   | 3   | °C/s |
| Liquidous temperature                      | $T_L$  | 217 |     | °C   |
| Time above $T_L$                           | $t_L$  | 60  | 100 | s    |
| Peak temperature                           | $T_P$  |     | 260 | °C   |
| Time within 5°C of actual peak temperature | $t_p$  |     | 30  | s    |
| Ramp-down rate ( $T_P$ to $T_L$ )          |        |     | 6   | °C/s |

**Table 10.2.1 Temperature Profile for Lead(Pb)-free Soldering (example)**

- The product is evaluated using above reflow soldering conditions. No additional test is performed exceed the condition as a evaluation. Please perform reflow soldering under the above conditions.
- Please perform the first reflow soldering with reference to the above temperature profile and within 4 weeks of opening the package.
- If a second reflow process is necessary, reflow soldering should be performed within 168 h of the first reflow under the above conditions. Storage conditions before the second reflow soldering: 30 °C, 60 % RH (max)
- Do not perform wave soldering.
- When any soldering corrections are made manually, a hot-plate should be used. (only once at each soldering point)

**10.3. Land Pattern Dimensions (for reference only)**

Heatsink pin of this product is the same electric potential as anode electrode. Please do not connect to other electrical potentials or GND.



**11. Cleaning**

- Flux cleaning should be completed free of residual reactive ion such as Na, Cl, etc. Organic solvent acts upon water and generates corrosive gas such as hydrogen chloride. There are some cases where the device is degraded.
- Effective solvent seriously affects package and resin, and may cause inferior device. In actually using it, please sufficiently check whether there is nothing inferior on the device.
- Ultrasonic cleaning that provides effective cleaning for short time much affects on the device. so coherence between resin and lead metal is degraded by cleaning solvent during long ultrasonic cleaning. We recommend to take ultrasonic cleaning for the device at a minimum range. The influences on a device is occurred by the output of an ultrasonic wave and set board, please sufficiently check whether there is nothing inferior on the device.

**12. Tape Specifications**

**12.1. Product Naming Conventions**

The type of package used for shipment is denoted by a symbol suffix after the part number. The method of classification is as below. (this method, however does not apply to products whose electrical characteristics differ from standard Toshiba specifications)

Example: TL1L4-WH0,L

Toshiba part number: TL1L4-WH0

Packing type: L (Taping)

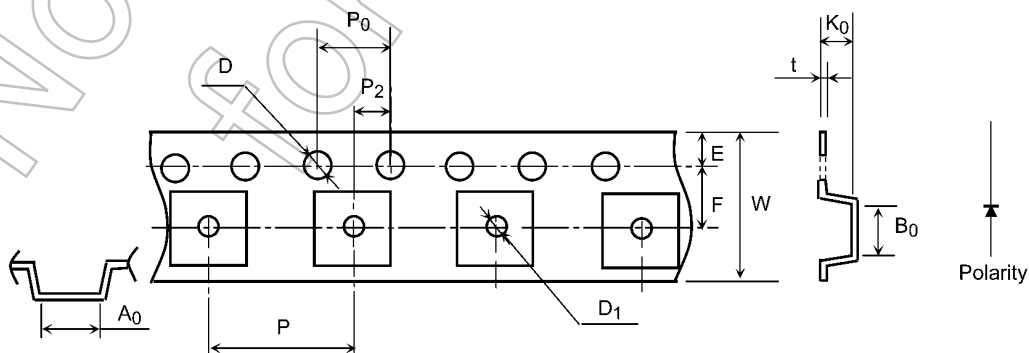
**12.2. Handling Precautions**

- (1) The tape is antistatic-coated. However, if the tape is charged with excess static electricity, devices might cling to the tape or wobble in the tape when the cover tape peeled off. Be aware of the following to avoid this:
  - Use an ionizer to neutralize the ions when utilizing an automatic mounter.
  - For transport and temporary storage of devices, use containers (boxes, jigs, bags) that are made with antistatic materials or materials that dissipate static electricity.

**12.3. Tape Dimensions**

**Table 12.3.1 Tape Dimensions (Unit: mm)**

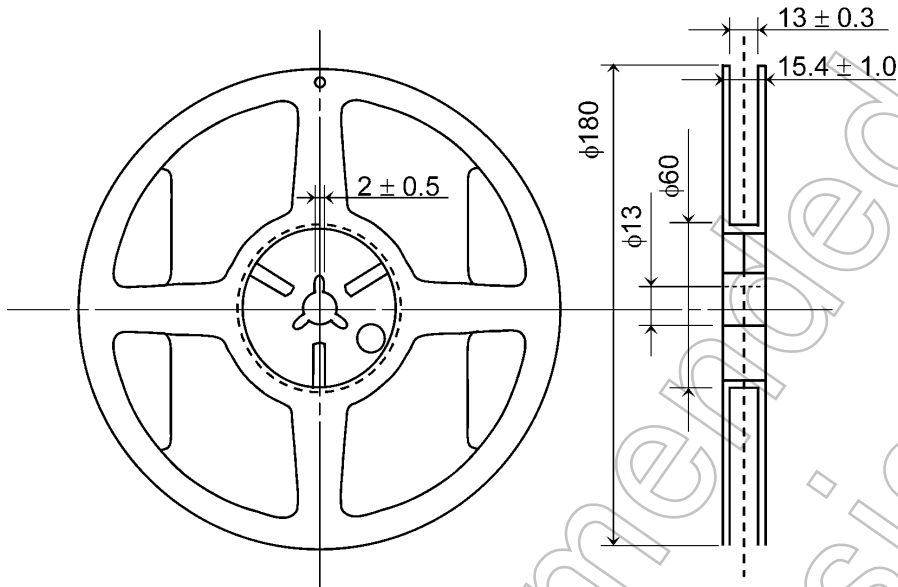
|            | D       | E    | P <sub>0</sub> | t     | F     | D <sub>1</sub> | P <sub>2</sub> | W    | P    | A <sub>0</sub> | B <sub>0</sub> | K <sub>0</sub> |
|------------|---------|------|----------------|-------|-------|----------------|----------------|------|------|----------------|----------------|----------------|
| Dimensions | 1.5     | 1.75 | 4.0            | 0.3   | 5.5   | 1.7            | 2.0            | 12.0 | 8.0  | 3.8            | 3.8            | 2.15           |
| Tolerance  | +0.1/-0 | ±0.1 | ±0.1           | ±0.05 | ±0.05 | ±0.1           | ±0.05          | ±0.2 | ±0.1 | ±0.1           | ±0.1           | ±0.1           |



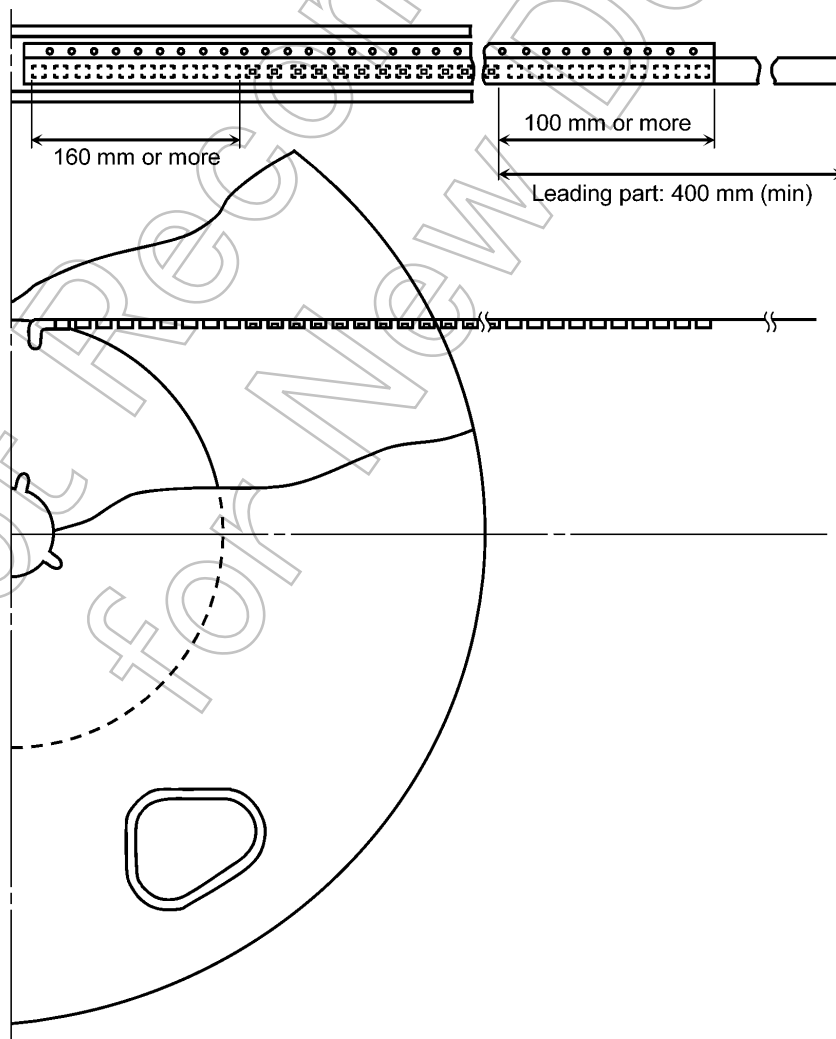
**12.4. Reel Specification**

**12.4.1. Reel Dimensions**

Unit: mm



**12.4.2. Tape Leader and Trailer**



**12.5. Packing Form**

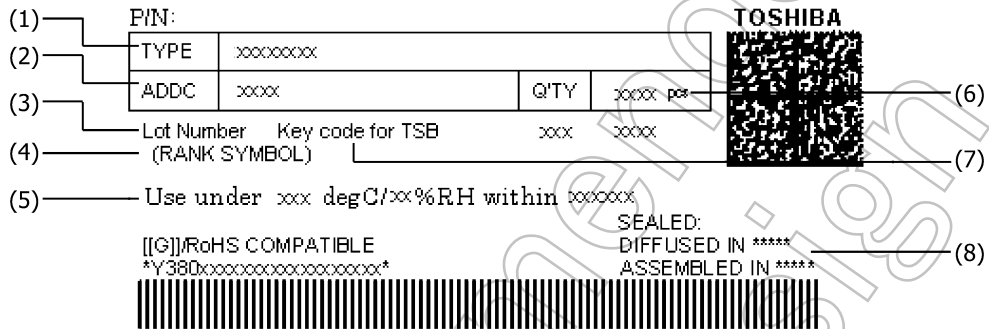
Each reel is sealed in an aluminum pack with silica gel. Packing quantity is as shown below.

- Reel: 1,000 pcs
- Carton: 4,000 pcs (max)
- Sealed aluminum pack with silica gel

**12.6. Label Format**

Label example for TL1L4-WH0,L and label location are as shown below.

**12.6.1. Label Example**

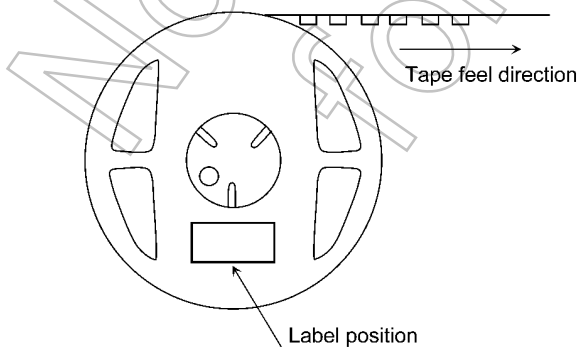


**12.6.2. Label Details**

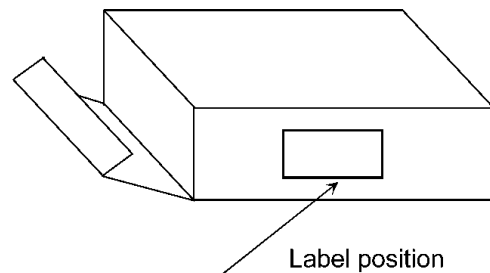
| No. (# refer to the above label example) | Information for Toshiba Use     | Remarks                                   |
|--|---------------------------------|---|
| (1)                                      | Part No.                        | TL1L4-WH0,L                               |
| (2)                                      | ADD code (Note)                 | Example: (O)                              |
| (3)                                      | Lot code                        | Example: 270xxxxx                         |
| (4)                                      | Rank symbol                     | Example: 5A1B13A2                         |
| (5)                                      | Storage condition after opening | Use under 5 - 30 °C/60 %RH within 4 weeks |
| (6)                                      | Packing quantity                | Example: 1,000 pcs                        |
| (7)                                      | Key code                        | Example: 12345                            |
| (8)                                      | Country of origin               | Example: JAPAN                            |

Note: ADD code Naming Conventions  
 (O : Assembled in Japan, Sales for domestic and overseas customers  
 (J : Assembled in overseas factory, Sales for domestic customers  
 (T : Assembled in overseas factory, Sales for overseas customers

**12.6.3. Label Location**



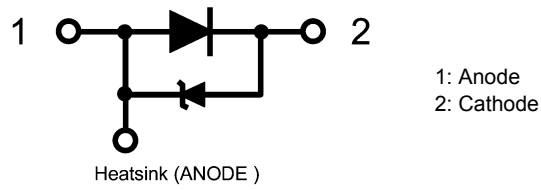
**Fig. 12.6.3.1 Label Position on the Reel**



**Fig. 12.6.3.2 Label Position on the Carton**

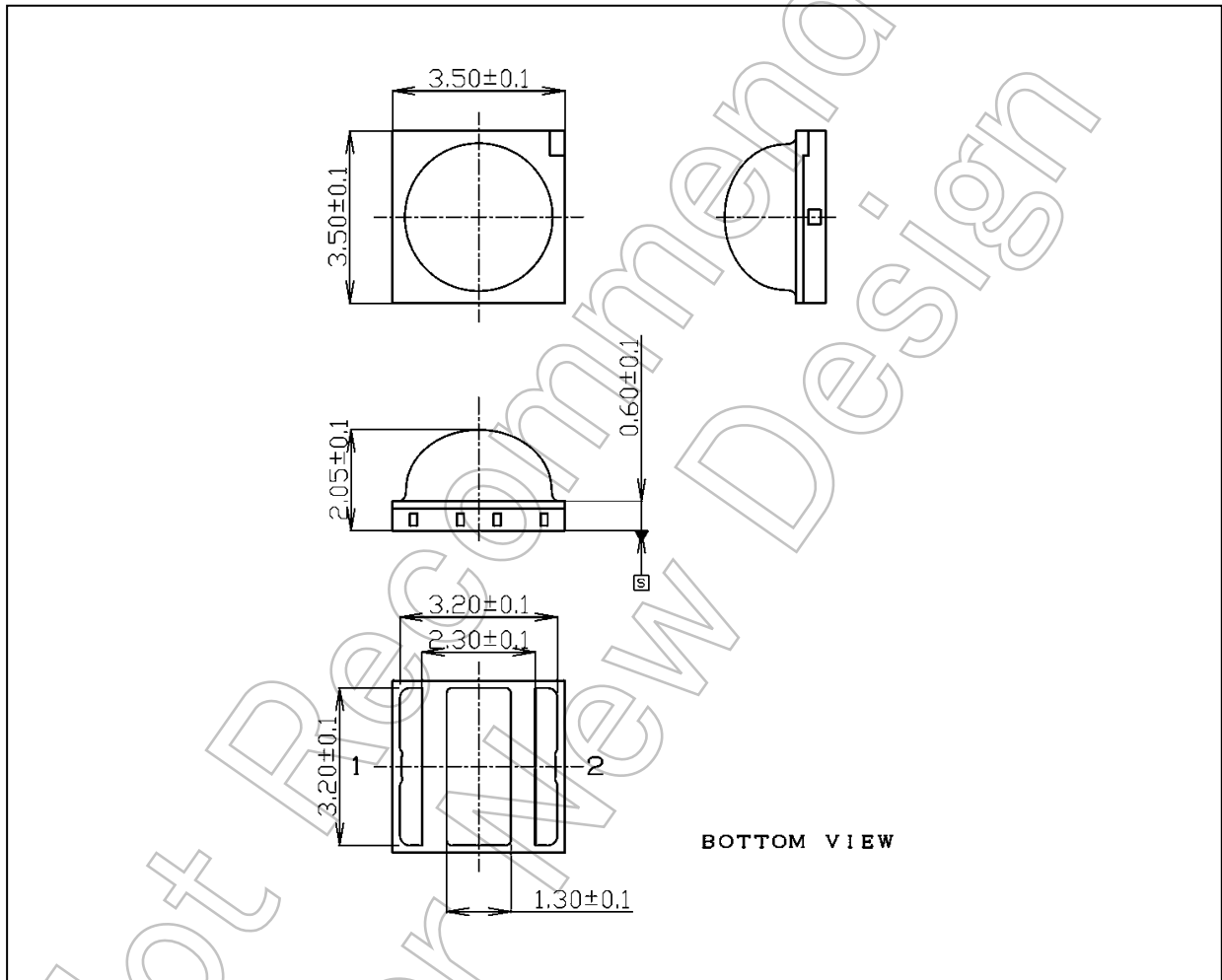
Aluminum pack : The aluminum pack in which the reel is supplied also has the label attached to center of one side.

13. Internal Circuit



Package Dimensions

Unit: mm



Weight: 0.04 g (typ.)

| Package Name(s) |
|-----------------|
| TOSHIBA: 4-4P1A |

## RESTRICTIONS ON PRODUCT USE

- Toshiba Corporation, and its subsidiaries and affiliates (collectively "TOSHIBA"), reserve the right to make changes to the information in this document, and related hardware, software and systems (collectively "Product") without notice.
- This document and any information herein may not be reproduced without prior written permission from TOSHIBA. Even with TOSHIBA's written permission, reproduction is permissible only if reproduction is without alteration/omission.
- Though TOSHIBA works continually to improve Product's quality and reliability, Product can malfunction or fail. Customers are responsible for complying with safety standards and for providing adequate designs and safeguards for their hardware, software and systems which minimize risk and avoid situations in which a malfunction or failure of Product could cause loss of human life, bodily injury or damage to property, including data loss or corruption. Before customers use the Product, create designs including the Product, or incorporate the Product into their own applications, customers must also refer to and comply with (a) the latest versions of all relevant TOSHIBA information, including without limitation, this document, the specifications, the data sheets and application notes for Product and the precautions and conditions set forth in the "TOSHIBA Semiconductor Reliability Handbook" and (b) the instructions for the application with which the Product will be used with or for. Customers are solely responsible for all aspects of their own product design or applications, including but not limited to (a) determining the appropriateness of the use of this Product in such design or applications; (b) evaluating and determining the applicability of any information contained in this document, or in charts, diagrams, programs, algorithms, sample application circuits, or any other referenced documents; and (c) validating all operating parameters for such designs and applications. **TOSHIBA ASSUMES NO LIABILITY FOR CUSTOMERS' PRODUCT DESIGN OR APPLICATIONS.**
- **PRODUCT IS NEITHER INTENDED NOR WARRANTED FOR USE IN EQUIPMENTS OR SYSTEMS THAT REQUIRE EXTRAORDINARILY HIGH LEVELS OF QUALITY AND/OR RELIABILITY, AND/OR A MALFUNCTION OR FAILURE OF WHICH MAY CAUSE LOSS OF HUMAN LIFE, BODILY INJURY, SERIOUS PROPERTY DAMAGE AND/OR SERIOUS PUBLIC IMPACT ("UNINTENDED USE").** Except for specific applications as expressly stated in this document, Unintended Use includes, without limitation, equipment used in nuclear facilities, equipment used in the aerospace industry, medical equipment, equipment used for automobiles, trains, ships and other transportation, traffic signaling equipment, equipment used to control combustions or explosions, safety devices, elevators and escalators, devices related to electric power, and equipment used in finance-related fields. **IF YOU USE PRODUCT FOR UNINTENDED USE, TOSHIBA ASSUMES NO LIABILITY FOR PRODUCT.** For details, please contact your TOSHIBA sales representative.
- Do not disassemble, analyze, reverse-engineer, alter, modify, translate or copy Product, whether in whole or in part.
- Product shall not be used for or incorporated into any products or systems whose manufacture, use, or sale is prohibited under any applicable laws or regulations.
- The information contained herein is presented only as guidance for Product use. No responsibility is assumed by TOSHIBA for any infringement of patents or any other intellectual property rights of third parties that may result from the use of Product. No license to any intellectual property right is granted by this document, whether express or implied, by estoppel or otherwise.
- **ABSENT A WRITTEN SIGNED AGREEMENT, EXCEPT AS PROVIDED IN THE RELEVANT TERMS AND CONDITIONS OF SALE FOR PRODUCT, AND TO THE MAXIMUM EXTENT ALLOWABLE BY LAW, TOSHIBA (1) ASSUMES NO LIABILITY WHATSOEVER, INCLUDING WITHOUT LIMITATION, INDIRECT, CONSEQUENTIAL, SPECIAL, OR INCIDENTAL DAMAGES OR LOSS, INCLUDING WITHOUT LIMITATION, LOSS OF PROFITS, LOSS OF OPPORTUNITIES, BUSINESS INTERRUPTION AND LOSS OF DATA, AND (2) DISCLAIMS ANY AND ALL EXPRESS OR IMPLIED WARRANTIES AND CONDITIONS RELATED TO SALE, USE OF PRODUCT, OR INFORMATION, INCLUDING WARRANTIES OR CONDITIONS OF MERCHANTABILITY, FITNESS FOR A PARTICULAR PURPOSE, ACCURACY OF INFORMATION, OR NONINFRINGEMENT.**
- Do not use or otherwise make available Product or related software or technology for any military purposes, including without limitation, for the design, development, use, stockpiling or manufacturing of nuclear, chemical, or biological weapons or missile technology products (mass destruction weapons). Product and related software and technology may be controlled under the applicable export laws and regulations including, without limitation, the Japanese Foreign Exchange and Foreign Trade Law and the U.S. Export Administration Regulations. Export and re-export of Product or related software or technology are strictly prohibited except in compliance with all applicable export laws and regulations.
- Please contact your TOSHIBA sales representative for details as to environmental matters such as the RoHS compatibility of Product. Please use Product in compliance with all applicable laws and regulations that regulate the inclusion or use of controlled substances, including without limitation, the EU RoHS Directive. **TOSHIBA ASSUMES NO LIABILITY FOR DAMAGES OR LOSSES OCCURRING AS A RESULT OF NONCOMPLIANCE WITH APPLICABLE LAWS AND REGULATIONS.**