

VS-3 Handle Kit 91333-1

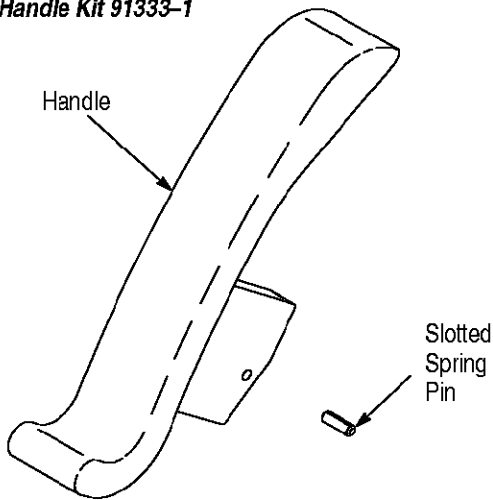


Figure 1

2. DESCRIPTION (Figure 1)

Handle Kit 91333-1 consists of a Slotted Spring Pin and a Handle. The Pin is used to hold the Handle in place on the Quick Take-Up Lever on the VS-3 Hand Tool Assembly.

3. ASSEMBLY PROCEDURE

Before beginning, remove the Spring Pin and the Lever Pad from the Quick Take-Up Lever on the existing VS-3 Hand Tool Assembly.

1. Position the Handle over the Quick Take-Up Lever as shown in Figure 2.
2. Press the Spring Pin (included in the Handle Kit) through the hole in both the Handle and the Quick Take-Up Lever.

The assembly of VS-3 Handle Kit 91333-1 is now complete.

1. INTRODUCTION

This instruction sheet covers the assembly of the AMP* VS-3 Handle Kit 91333-1 onto the standard VS-3 Hand Tool Assembly.

4. REVISION SUMMARY

Per EC 0990-1239-99

- Initial release of instruction sheet

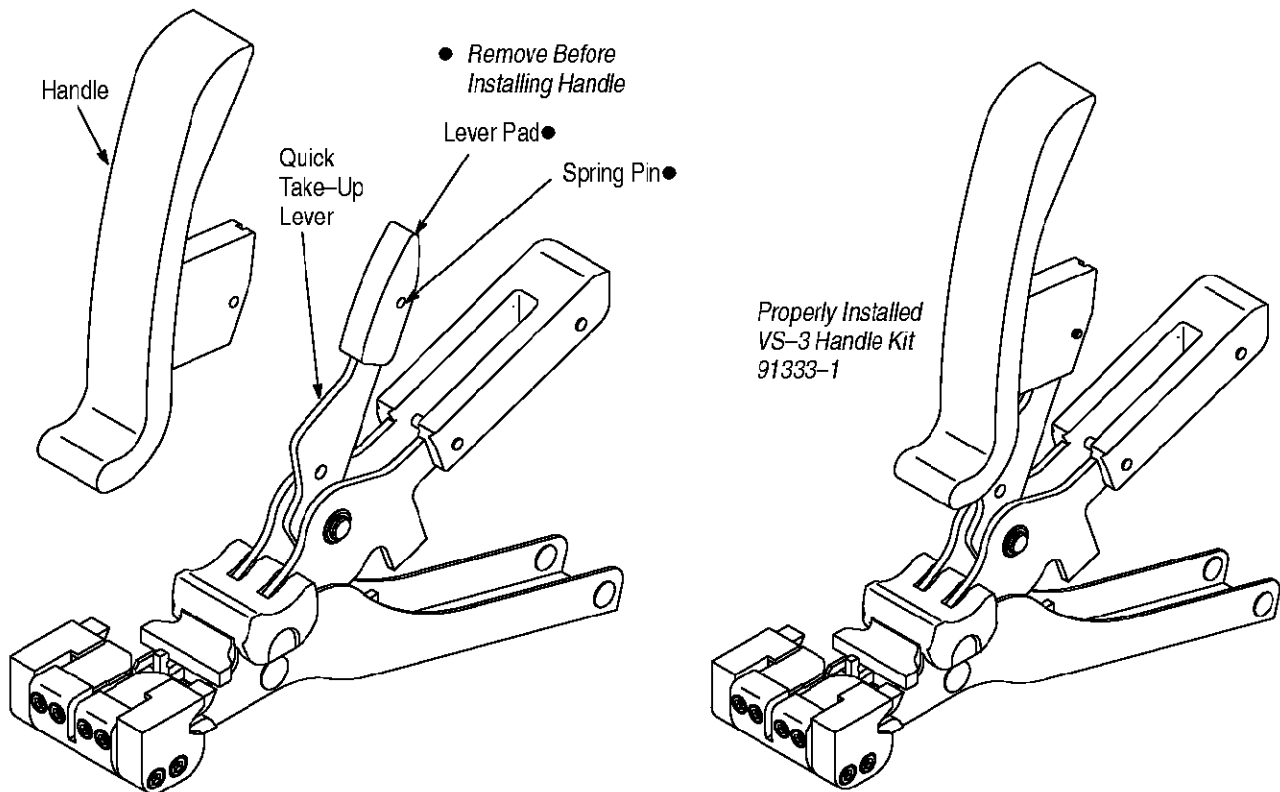


Figure 2