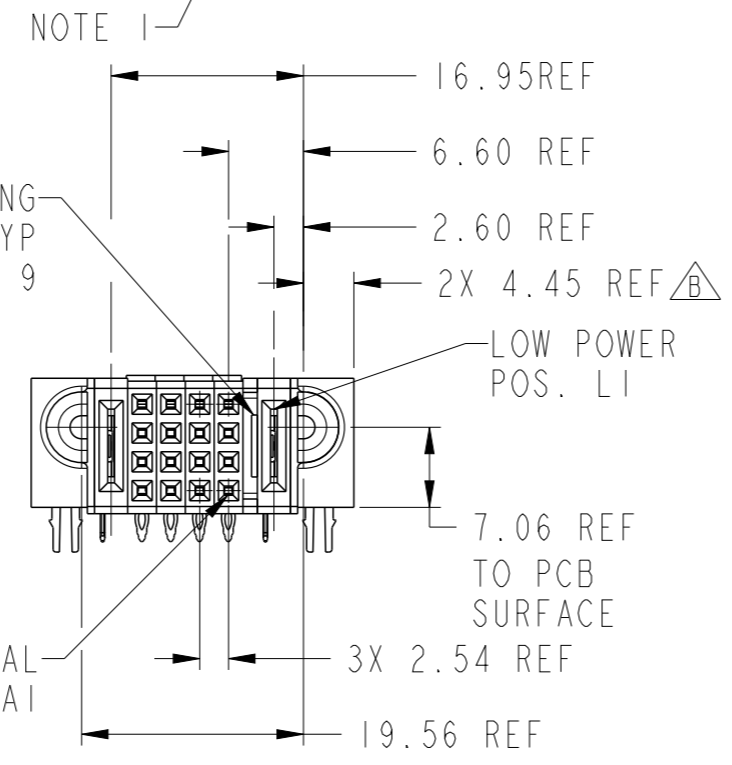
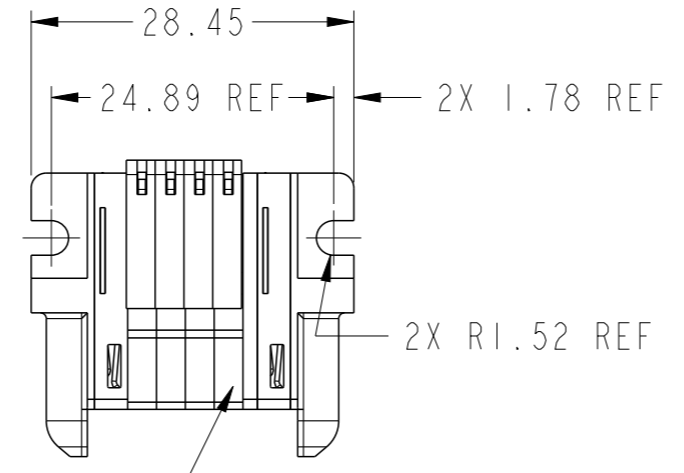
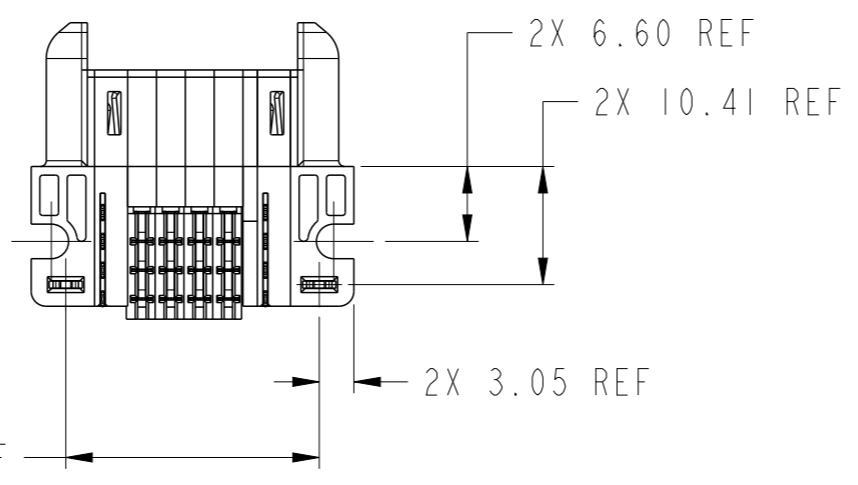
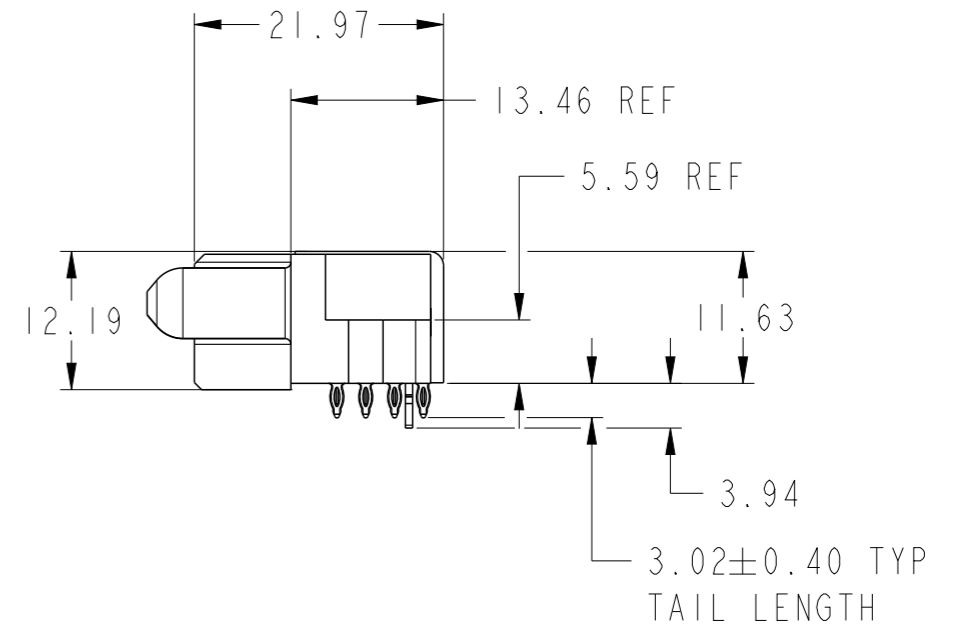


PRODUCT NUMBER SEE SHEET 2



VOID CORING OPTION, TYP SEE NOTE 9



spec ref	-
tolerance std	ASME Y14.5
TOLERANCES UNLESS OTHERWISE SPECIFIED	
surface	linear
	0.X ±0.5
	0.XX ±0.25
ASME Y14.5	angular
	0° ±2°

dr	Kar Babu	2012/05/12
eng	Peng-Bing Fu	2012/11/14
chr	Tian-Xu Huang	2012/11/15
appr	Pei-Ming Zheng	2012/11/15

projection	MM	size	A3	scale	3:2
product family		PwrBlade+	ecn no	ELX-DG-013144-1	
rel level			Released		
dwg no	10106265-0204001		rev	B	
Product - Customer Drw			sheet 1 of 3		

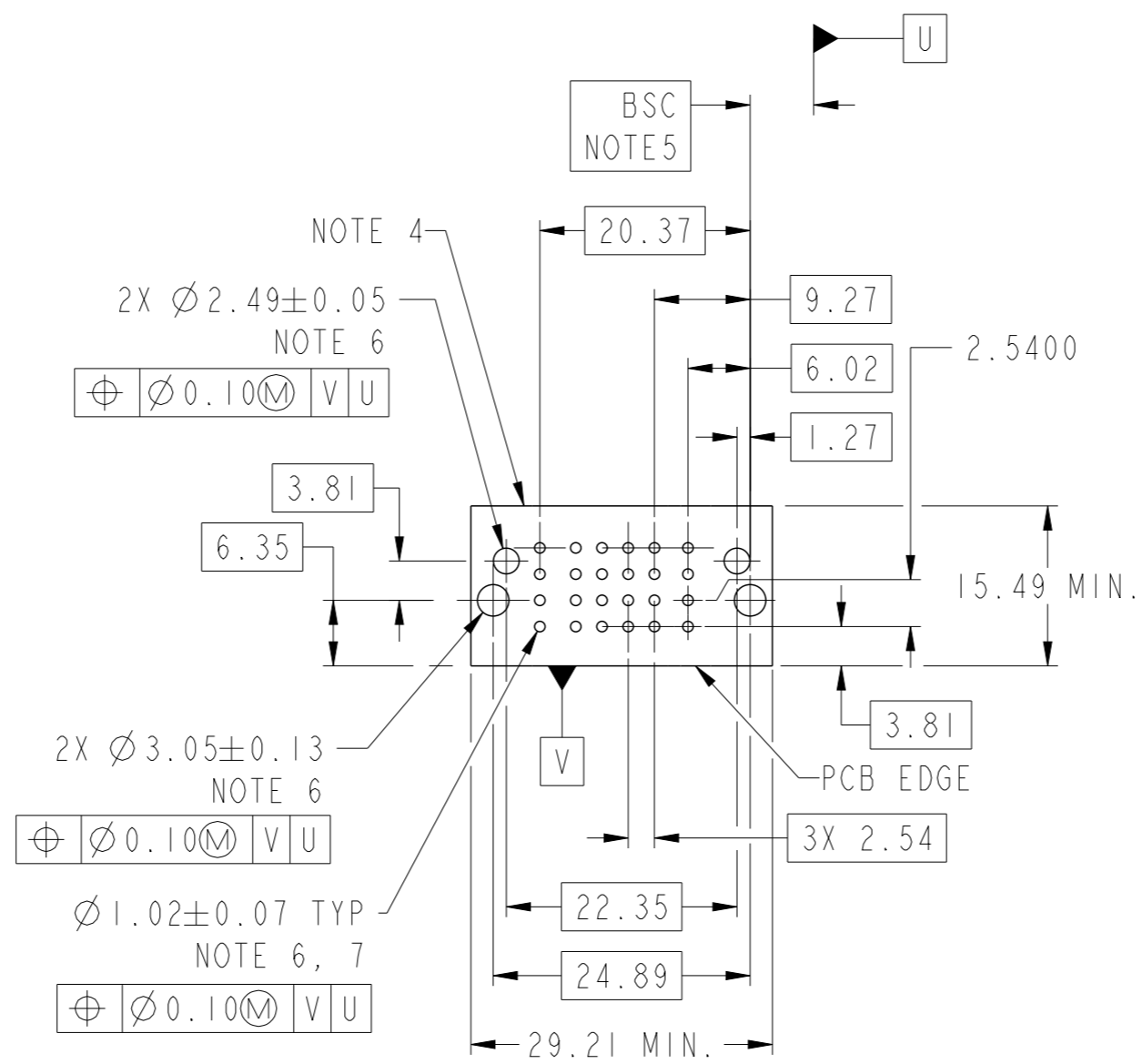


ILP + 16S + ILP
RA PF RECEPTACLE

Copyright FCI.

PRODUCT NO.	ROWS	LP	S					LP
		E1	L2	4	3	2	1	L1
10106265-0204001LF	DCBA	LT		S	S	S	S	LT
		LT		R	R	R	R	LT
		LT		P	P	P	P	LT
		LT		N	N	N	N	LT

CODE	DESCRIPTION
HA	METAL HOLD DOWN
LT	STD LOW POWER CONTACT(3.02)
N	STD SIGNAL CONTACT, ROW A
P	STD SIGNAL CONTACT, ROW B
R	STD SIGNAL CONTACT, ROW C
S	STD SIGNAL CONTACT, ROW D



dr	Kar Babu	2012/05/12	projection 	MM 	size	A3	scale	3:2	
eng	Peng-Bing Fu	2012/11/14			ecn no	ELX-DG-013144-1			
chr	Tian-Xu Huang	2012/11/15			product family	PwrBlade+	rel level	Released	
appr	Pei-Ming Zheng	2012/11/15			title	ILP + 16S + ILP RA PF RECEPTACLE		dwg no	10106265-0204001
www.fci.com			cat. no.	Product - Customer Drw		sheet 2 of 3			



Copyright FCI.

NOTES:

- 1) "FCI", PART NUMBER AND DATE CODE TO BE MARKED ON THIS SURFACE.
THE P/N CAN BE OMITTED IF THERE IS NOT ENOUGH SPACE ON THIS SURFACE.
- 2) MATERIALS:
-HOUSING - GLASS FILLED WITH HIGH TEMP THERMOPLASTIC, UL94V-0.
-SIGNAL CONTACT - COPPER ALLOY.
-POWER CONTACT - HIGH CONDUCTIVITY COPPER ALLOY.
- 3) PLATING SPECIFICATION REFER TO FCI 10116351
- 4) DENOTES CONNECTOR KEEP OUT ZONE.
- 5) DATUM AND BASIC DIMENSIONS WERE ESTABLISHED BY CUSTOMER.
- 6) ALL HOLE DIAMETERS ARE FINISHED HOLE SIZES.
- 7) 1.15 ± 0.025 MM DRILLED HOLE PLATED WITH 0.00762MM MIN Sn
OVER 0.0254-0.0762MM Cu PLATING TO ACHIEVE A 1.02 ± 0.07 MM HOLE.
- 8) PRODUCT SPECIFICATION REFER TO FCI GS-12-658.
APPLICATION SPECIFICATION REFER TO FCI GS-20-141.
PRODUCT PACKAGED IN TRAYS, REFER TO FCI GS-14-1502.
- 9) THE VOID CORING IN BETWEEN POWER MODULES, SIGNAL
MODULES AND END MODULES ARE OPTIONAL AND THE SHAPE
MAY BE DIFFERENT FOR OPTIMIZE THE MOLDING PROCESS. THE
VOID CORING WILL NOT EFFECT TO PRODUCT FUNCTION.
- 10) A \triangle SYMBOL WILL BE NEXT TO ANY DIMENSION, VIEW, OR NOTE WHICH
HAS BEEN MODIFIED WITH THE CURRENT DRAWING REVISION.



Copyright FCI.

dr	Kar Babu	2012/05/12	projection 	MM 	size	A3	scale	3:2
eng	Peng-Bing Fu	2012/11/14			ecn no	ELX-DG-013144-1		
chr	Tian-Xu Huang	2012/11/15			product family	PwrBlade+	rel level	Released
appr	Pei-Ming Zheng	2012/11/15			title ILP + 16S + ILP RA PF RECEPTACLE		dwg no 10106265-0204001	rev B
www.fci.com			cat. no.	Product - Customer Drw		sheet 3 of 3		