

## Trapped Key Exchange Units

- A range of off the shelf units in various combinations
- 316 Stainless steel construction
- Primary key(s) in, release secondary keys simultaneously on units up to 6 way
- Weatherproof stainless steel dust cap as standard
- Conforms to EN292, EN1088 & GS ET 19
- Can be used for group protection at access point to meet OSHA 1910.147 requirements



## Specifications

Ambient Temperature:	-40 to 200°C (-40 to 392°F)
Mechanical Operations:	>10 <sup>5</sup>
Max. Shear Force to Key:	15.1 kN
Max. Torque to Key:	14Nm
Relative Operating Humidity:	25% to 95%
Material:	316L stainless steel
Code Barrels:	Tested to 1,000,000 operations
Conforms to Standards:	Relevant clauses EN292 & EN1088 & GS ET 19

Specifications are subject to change without notice.

## Dimensions

(mm/in.)

Figure 1

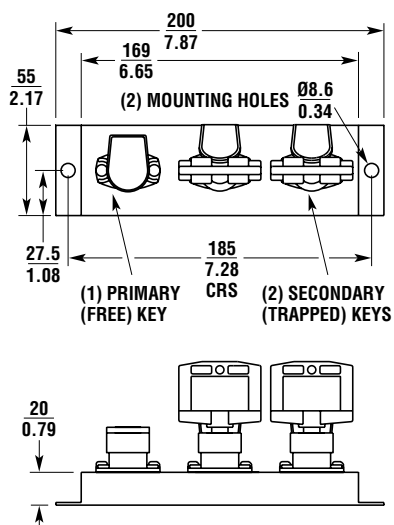
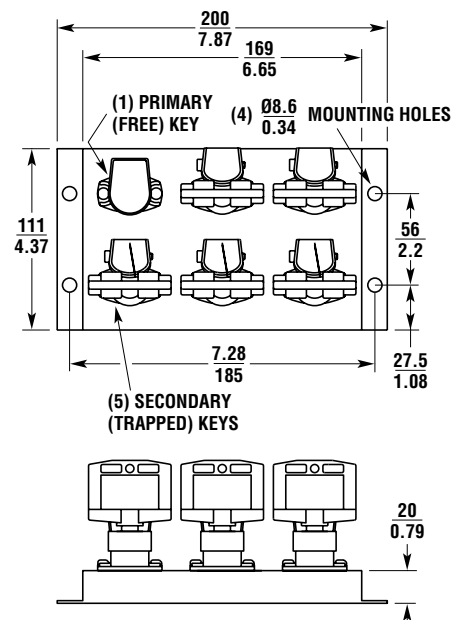


Figure 2

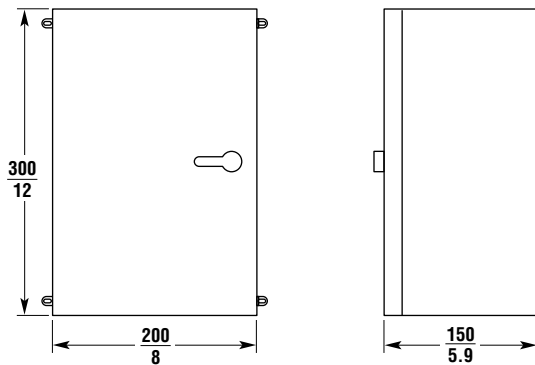


M

## Dimensions (continued)

(mm/in.)

## IPB30 Mild Steel Key Exchange Cabinet



## Ordering

## Key Exchange Units

Part No.	Figure	No. of Keys	Keys In & Out
KEX 10	1	2	1 in; 1 out
KEX 11	1	3	1 in; 2 out
KEX 12	2	4	1 in; 3 out
KEX 13	2	5	1 in; 4 out
KEX 14	2	6	1 in; 5 out

To specify coding, add the key code of your choice from the Key Code Table to the part number from the Ordering Table, i.e., KEX14(A,B) [5 x C] is a 6-way key exchange unit with primary 'A' key in and 5 secondary 'C' keys out. Key exchange cabinets can be supplied. **Primary keys must be ordered separately.**

## Notes:

See price list for larger key exchange units.  
Stainless steel box for key exchange units is optional. Contact Omron STI for required part number to complete order.

## Key Codes

(...) = Primary key / key free

[...] = Secondary key / key trapped

Codes						
A	Aa	Ab	Ac	Ad	Ae	Af
B	Ba	Bb	Bc	Bd	Be	Bf
C	Ca	Cb	Cc	Cd	Ce	Cf
D	Da	Db	Dc	Dd	De	Df
E	Ea	Eb	Ec	Ed	Ee	Ef
F	Fa	Fb	Fc	Fd	Fe	Ff
G	Ga	Gb	Gc	Gd	Ge	Gf
H	Ha	Hb	Hc	Hd	He	Hf
I	Ia	Ib	Ic	Id	Ie	If
J	Ja	Jb	Jc	Jd	Je	Jf
K	Ka	Kb	Kc	Kd	Ke	Kf
L	La	Lb	Lc	Ld	Le	Lf
M	Ma	Mb	Mc	Md	Me	Mf
N	Na	Nb	Nc	Nd	Ne	Nf
O	Oa	Ob	Oc	Od	Oe	Of
P	Pa	Pb	Pc	Pd	Pe	Pf
R	Ra	Rb	Rc	Rd	Re	Rf
S	Sa	Sb	Sc	Sd	Se	Sf
T	Ta	Tb	Tc	Td	Te	Tf
U	Ua	Ub	Uc	Ud	Ue	Uf
V	Va	Vb	Vc	Vd	Ve	Vf
W	Wa	Wb	Wc	Wd	We	Wf
X	Xa	Xb	Xc	Xd	Xe	Xf
Y	Ya	Yb	Yc	Yd	Ye	Yf
Z	Za	Zb	Zc	Zd	Ze	Zf



For coding details and referencing, see page M5.



To order keys, see Accessories on page M30.

M

**OMRON AUTOMATION AND SAFETY • THE AMERICAS HEADQUARTERS** • Chicago, IL USA • 847.843.7900 • 800.556.6766 • [www.omron247.com](http://www.omron247.com)

**OMRON CANADA, INC. • HEAD OFFICE**

Toronto, ON, Canada • 416.286.6465 • 866.986.6766 • [www.omron247.com](http://www.omron247.com)

**OMRON ELECTRONICS DE MEXICO • HEAD OFFICE**

México DF • 52.55.59.01.43.00 • 01-800-226-6766 • [mela@omron.com](mailto:mela@omron.com)

**OMRON ELECTRONICS DE MEXICO • SALES OFFICE**

Apodaca, N.L. • 52.81.11.56.99.20 • 01-800-226-6766 • [mela@omron.com](mailto:mela@omron.com)

**OMRON ELETRÔNICA DO BRASIL LTDA • HEAD OFFICE**

São Paulo, SP, Brasil • 55.11.2101.6300 • [www.omron.com.br](http://www.omron.com.br)

**OMRON ARGENTINA • SALES OFFICE**

Cono Sur • 54.11.4783.5300

**OMRON CHILE • SALES OFFICE**

Santiago • 56.9.9917.3920

**OTHER OMRON LATIN AMERICA SALES**

54.11.4783.5300

**OMRON EUROPE B.V.** • Wegalaan 67-69, NL-2132 JD, Hoofddorp, The Netherlands. • +31 (0) 23 568 13 00 • [www.industrial.omron.eu](http://www.industrial.omron.eu)

*Authorized Distributor:*

**Automation Control Systems**

- Machine Automation Controllers (MAC) • Programmable Controllers (PLC)
- Operator interfaces (HMI) • Distributed I/O • Software

**Drives & Motion Controls**

- Servo & AC Drives • Motion Controllers & Encoders

**Temperature & Process Controllers**

- Single and Multi-loop Controllers

**Sensors & Vision**

- Proximity Sensors • Photoelectric Sensors • Fiber-Optic Sensors
- Amplified Photomicrosensors • Measurement Sensors
- Ultrasonic Sensors • Vision Sensors

**Industrial Components**

- RFID/Code Readers • Relays • Pushbuttons & Indicators
- Limit and Basic Switches • Timers • Counters • Metering Devices
- Power Supplies

**Safety**

- Laser Scanners • Safety Mats • Edges and Bumpers • Programmable Safety Controllers • Light Curtains • Safety Relays • Safety Interlock Switches